

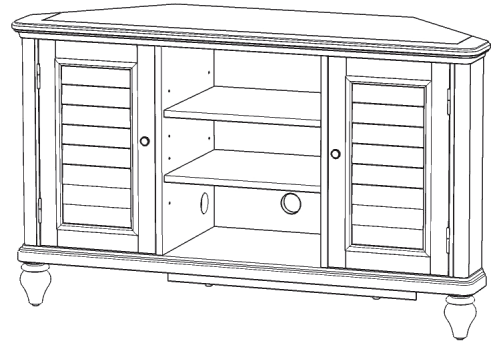
Corner Entertainment

IMPORTANT

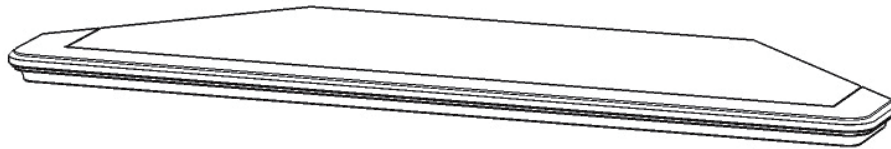
Carefully remove all the parts from the carton and place them individually on a soft cloth to prevent scratches or other damage.

Carefully and strictly follow these assembly instructions to ensure a completed product as designed.

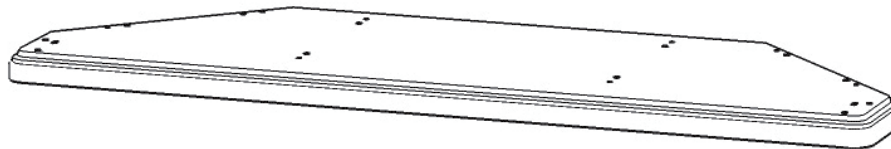
Do not use power tools above 8 volts to assemble.



Part List

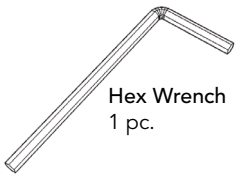


A.
Top
1 pc.



B.
Base
1 pc.

Hardware List



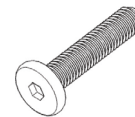
Hex Wrench
1 pc.



Cam Lock Screw
19 pcs. (+1 extra)



M5x32
Wood Screw
for Back Panel
6 pcs. (+1 extra)



M6x32
Head Cap Bolt
7 pcs. (+1 extra)



Spring Washer
7 pcs. (+1 extra)



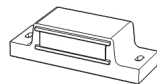
Flat Washer
7 pcs. (+1 extra)



Small Hex Wrench
1 pc.



Cam Lock
19 pcs. (+4 extra)



Magnet
2 pcs.



M3x15
Wood Screw
4 pcs. (+1 extra)



Adjustable Pin
24 pcs. (+1 extra)



M4x25
Machine Screw
2 pcs.



Knob
2 pcs.

Carton 20 05503 0072 is also needed for assembly.

Tool(s) required for assembly: Phillips screwdriver, Level

Home Styles Customer Service: www.homestyles-furniture.com,
 servicedesk@homestyles-furniture.com, 888-680-7460, 877-831-0319

Assembly Instructions 2/7

IMPORTANT

- Use a soft cloth between these parts and the floor.
- Do not use power tools above 8 volts to assemble.
- Do not tighten all the bolts until each part is properly assembled.
- The unit must be level to work properly. Use the included adjustable levelers to level.
- Keep Hex Wrench as the bolts may need to be tightened in the future.

STEP 1

Place Base (B) upside down on a soft cloth.

Attach Feet (C) to Base (B).

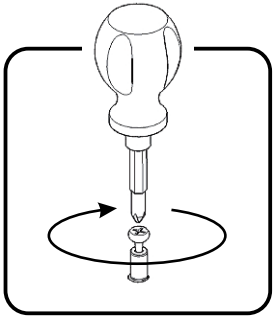
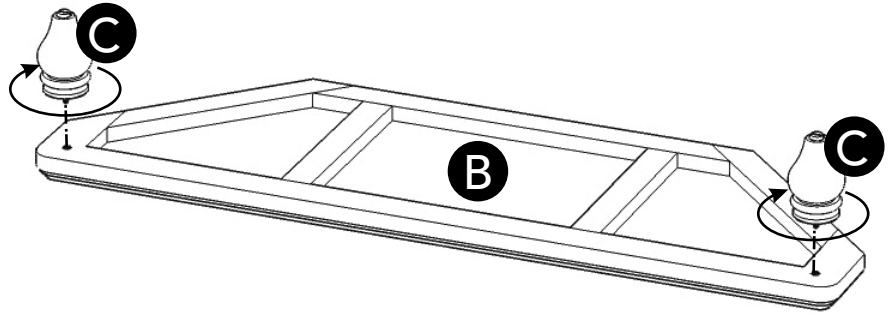


Figure 1

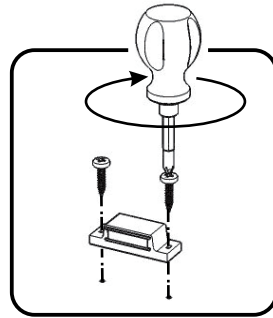


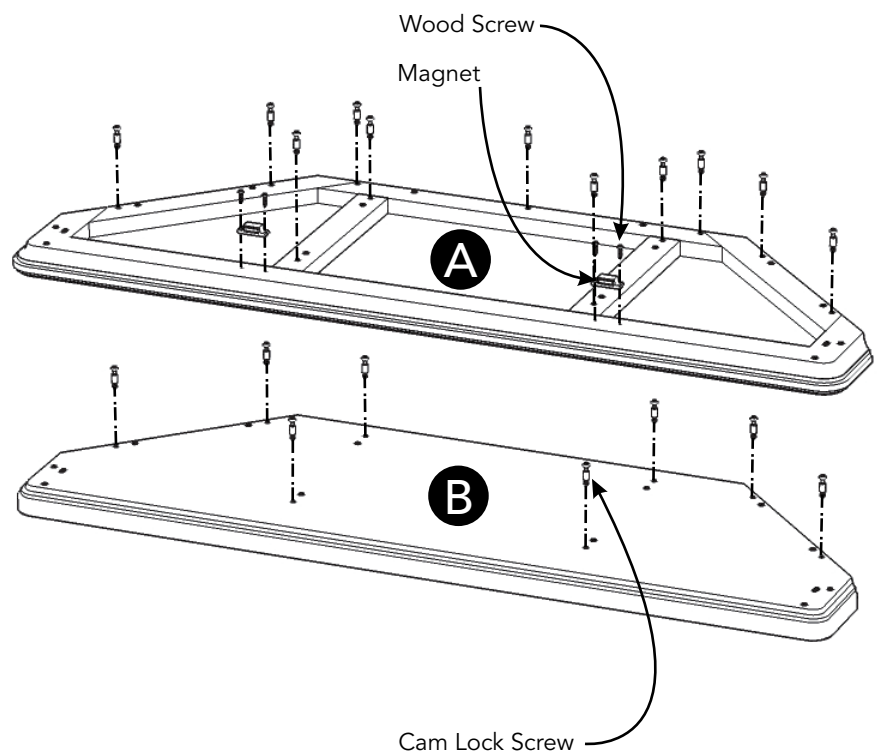
Figure 2

STEP 2

Place Top (A), Base (B) on a soft cloth.

Insert Cam Lock Screws into pre-drilled holes in Top (A), Base (B), then tighten. (See Figure 1)

Attach Magnets to Top (A) by inserting Wood Screws into pre-drilled holes, then tighten. (See Figure 2)



Assembly Instructions 3/7

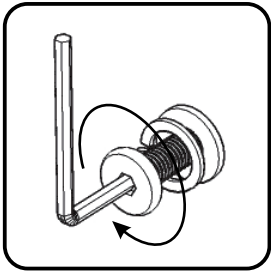
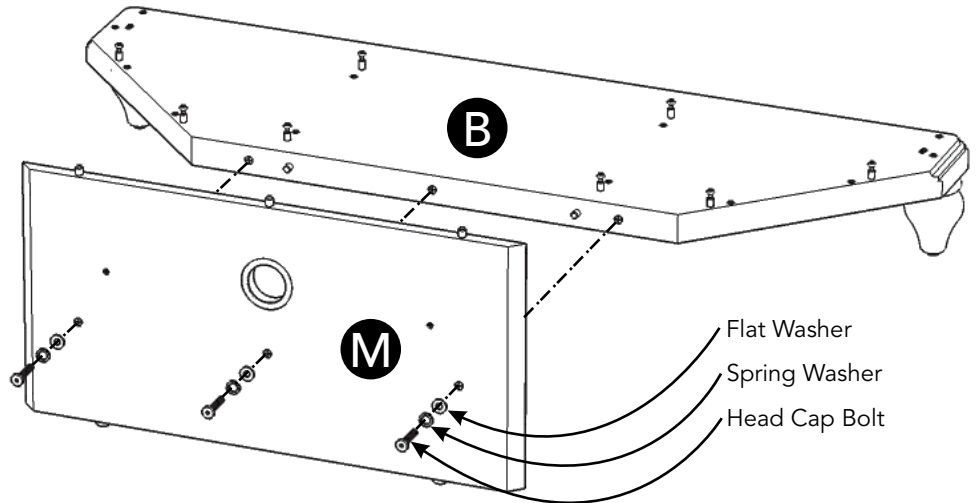


Figure 3



STEP 3

Attach Back Panel (M) to Base (B) with Flat Washers, Spring Washers and Head Cap Bolts. (See Figure 3)

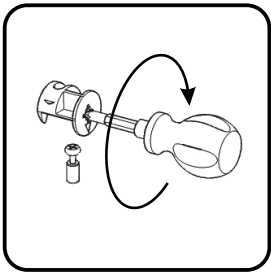


Figure 4

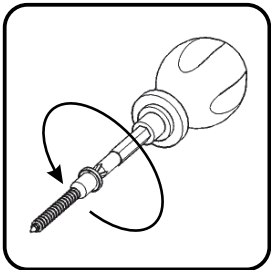
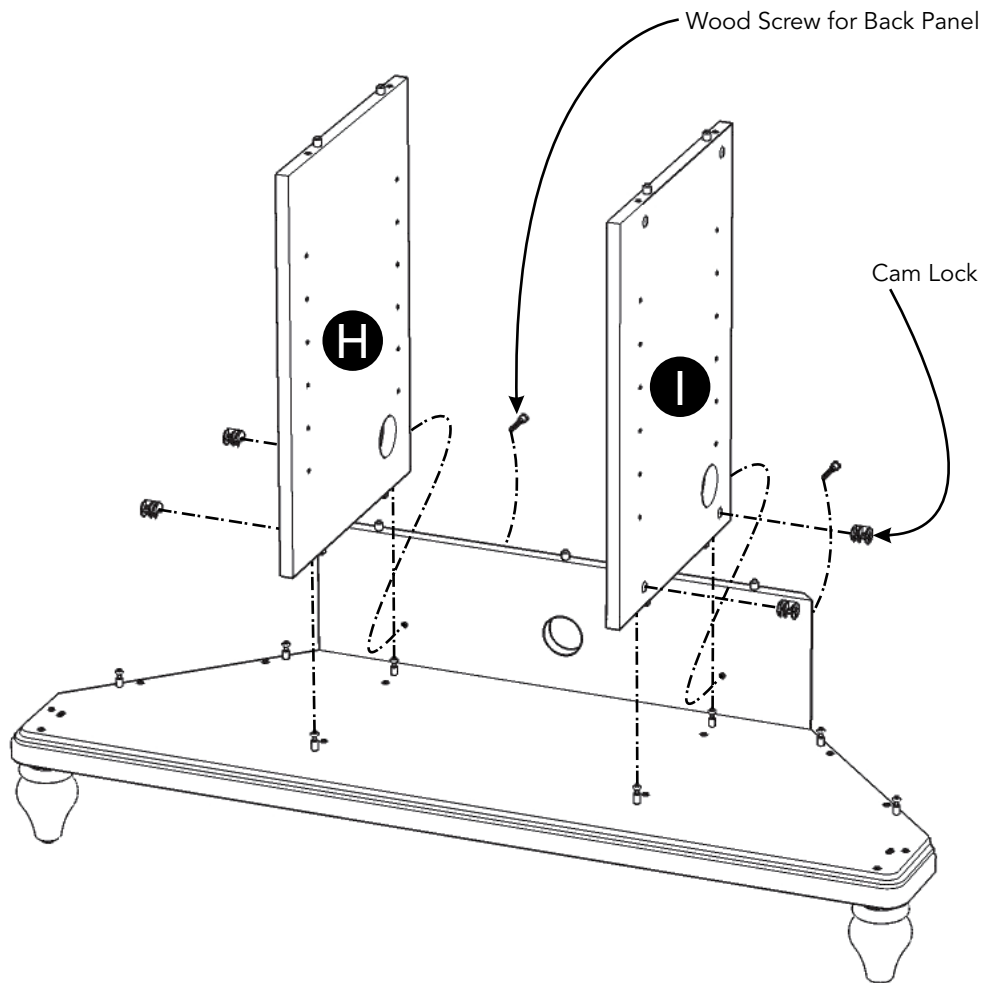


Figure 5



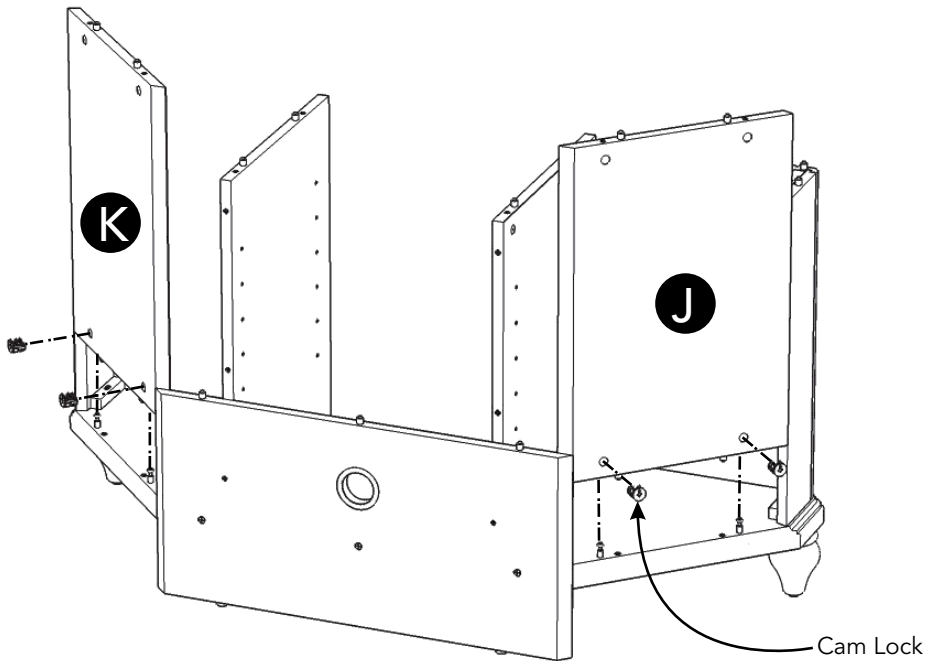
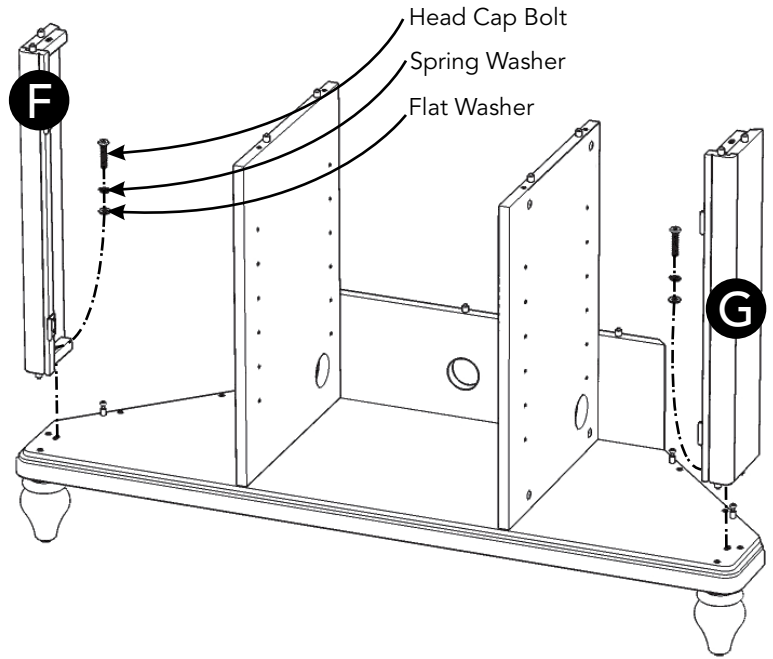
STEP 4

Attach Middle Panels (H) and (I) to unit with Cam Locks and Wood Screws for Back Panel. (See Figures 4 and 5)

Assembly Instructions 4/7

STEP 5

Attach Side Panels (F) and (G) to unit with Flat Washers, Spring Washers and Head Cap Bolts.

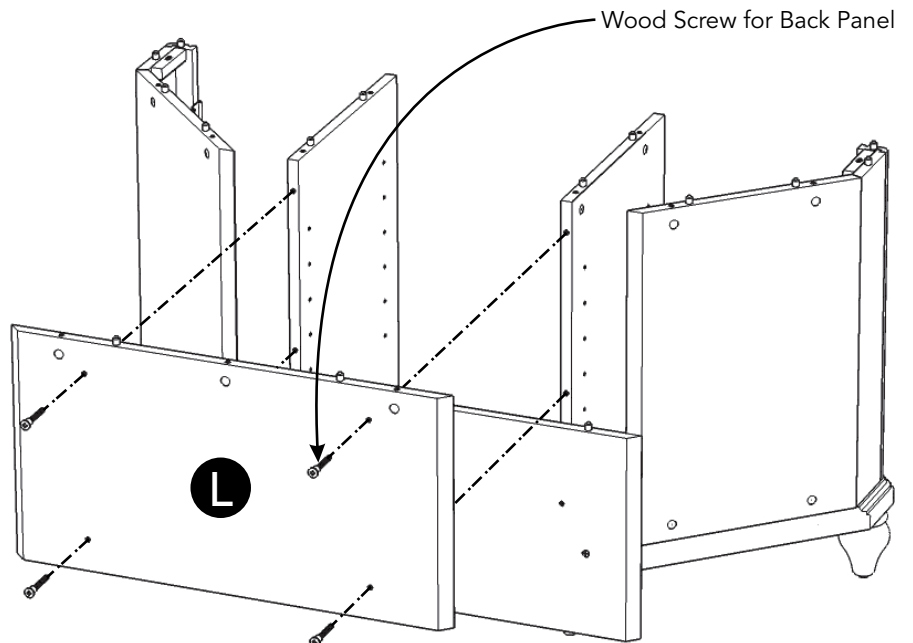


STEP 6

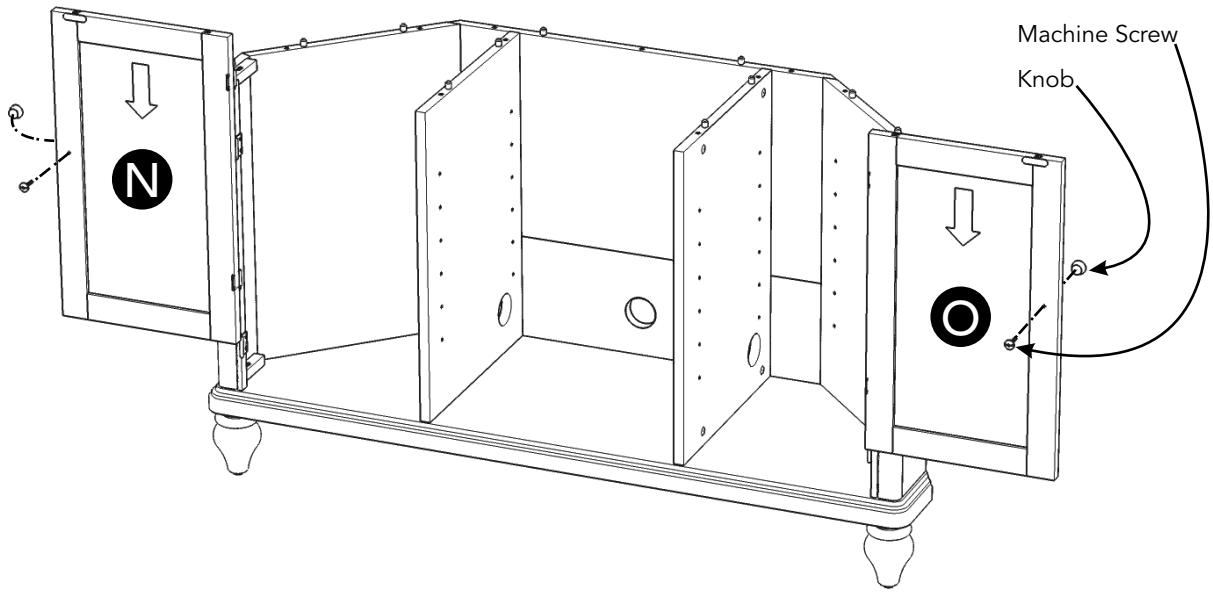
Attach Back Panels (J) and (K) to unit with Cam Locks.

STEP 7

Attach Back Panel (L) to unit with Wood Screws for Back Panel.



Assembly Instructions 5/7



STEP 8

Attach Doors (N) and (O) to unit by sliding door hinges into side panel hinges. (See Figure 6)

Attach Knobs to Doors (N) and (O) with Machine Screws. (See Figure 7)

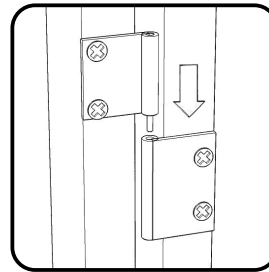


Figure 6

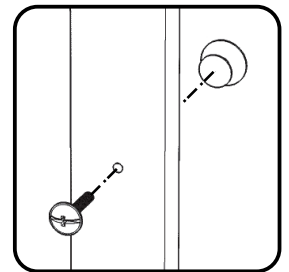
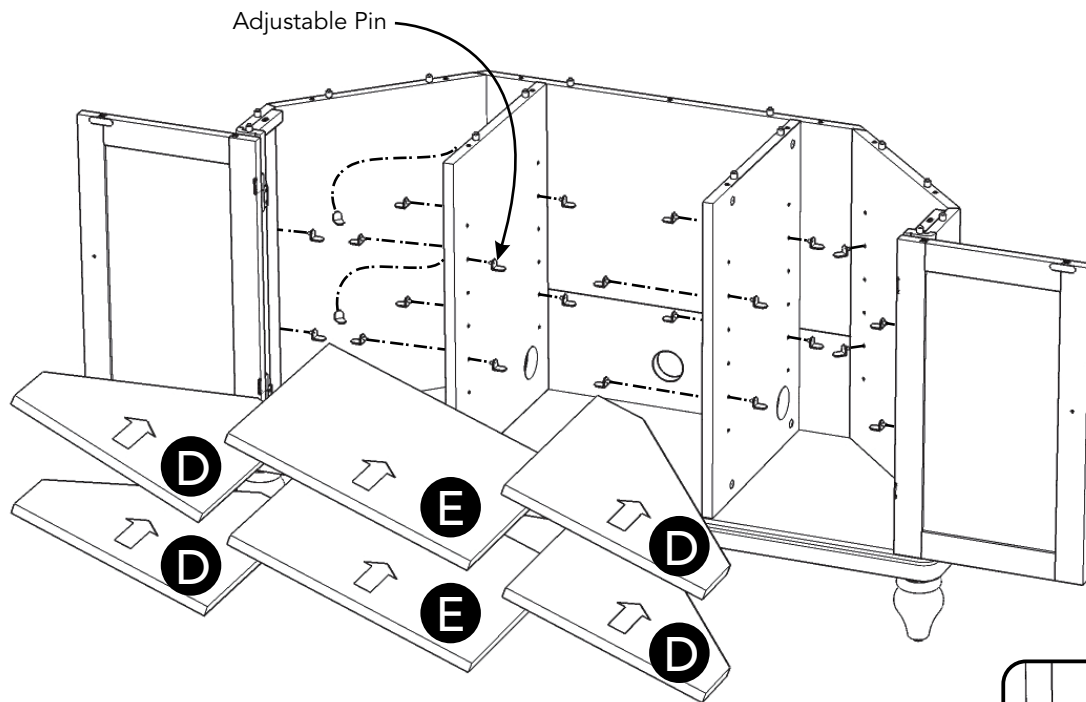


Figure 7



STEP 9

Insert Adjustable Pins into side panels, middle panels and back panels at desired level. (See Figure 8)

Place Shelves (D) and (E) into position.

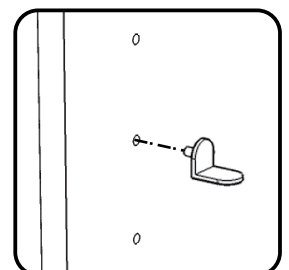
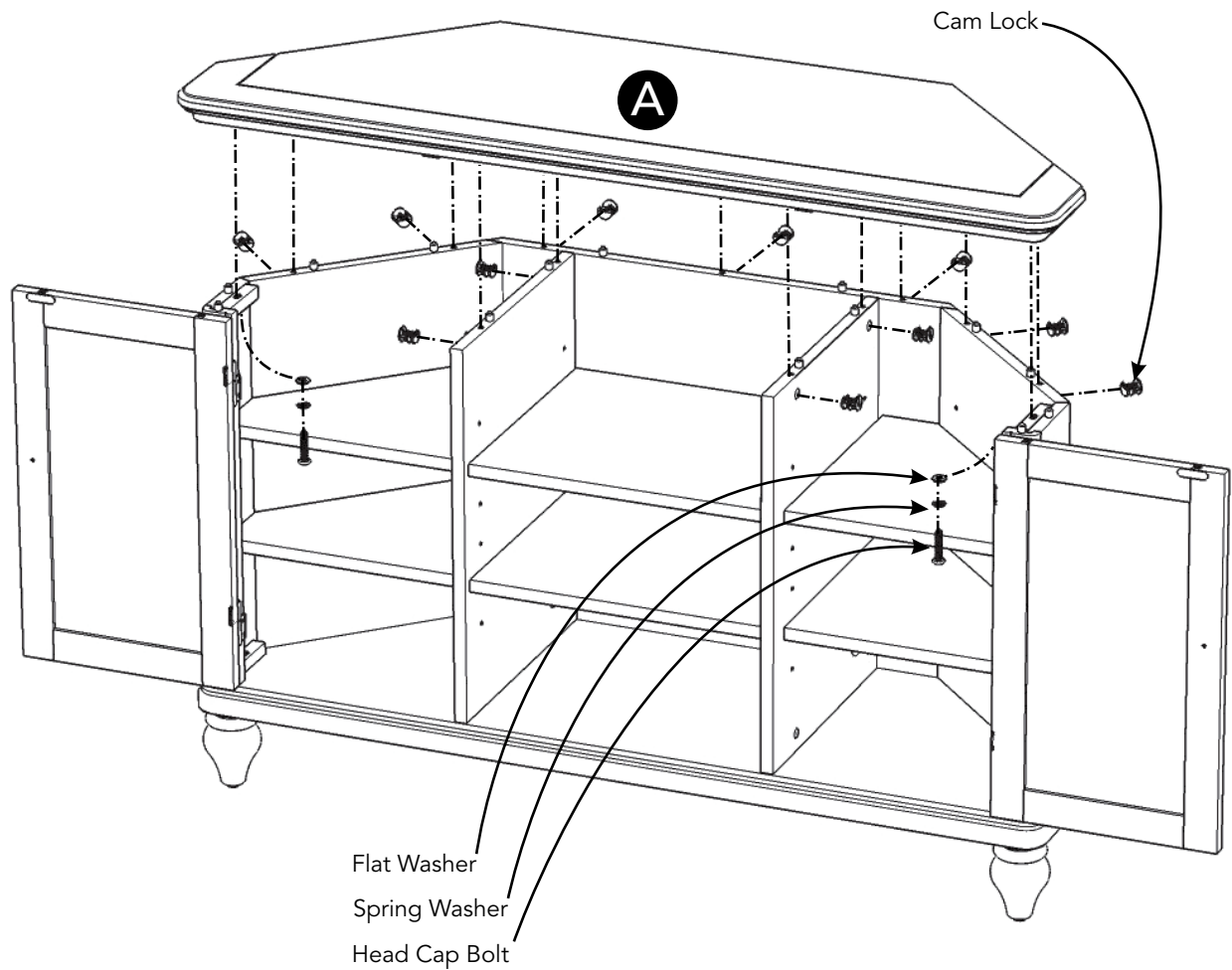


Figure 8

Assembly Instructions 6/7



STEP 10

Attach Top (A) to unit with Flat Washers, Spring Washers, Head Cap Bolts and Cam Locks.

Level unit by adjusting the adjustable levelers on bottom of unit. (See Figure 9)

Note: Unit must be level to work properly.

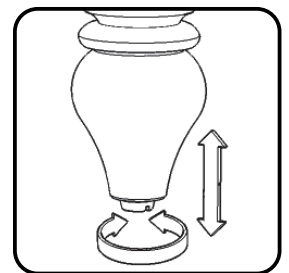


Figure 9

Assembly Instructions 7/7

IMPORTANT

To help reduce the risk of the unit tipping over, the Tipover Restraints must be installed following these instructions exactly.

STEP 11

Place unit at desired location.

Drill a 3/8" holes in wall in-line with pre-drilled holes at top of unit.

Move unit.

Insert Anchors into the wall hole and attach Brackets with Wall Screws.

Attach Brackets at pre-drilled holes at top of unit with Wood Screws.

Move unit back into place.

Slide Tipover Restraints through Brackets on wall and Brackets on unit.
(See Figure 10)

Put tie end of Tipover Restraints into lock end of Tipover Restraints and pull until tight.

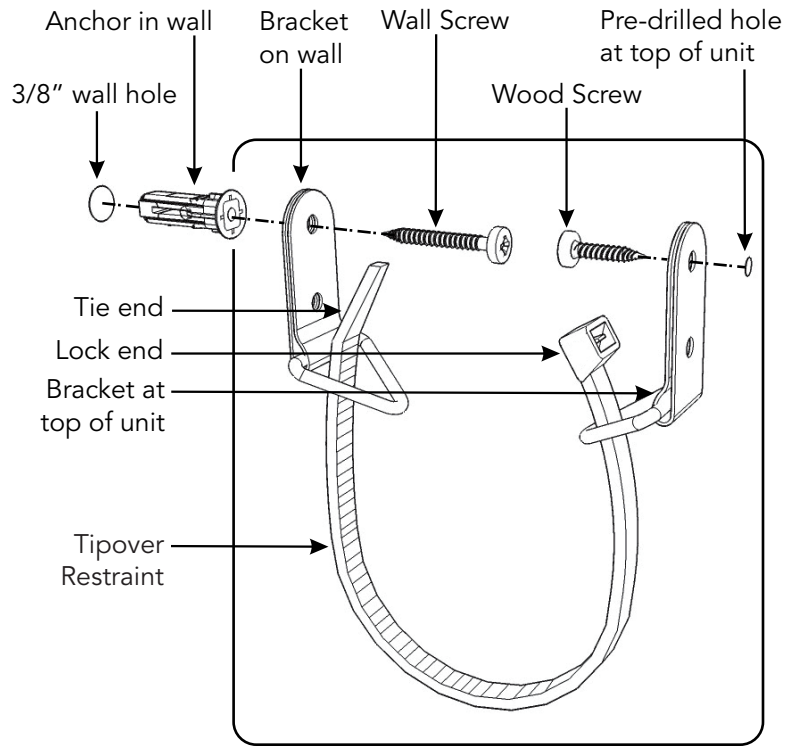
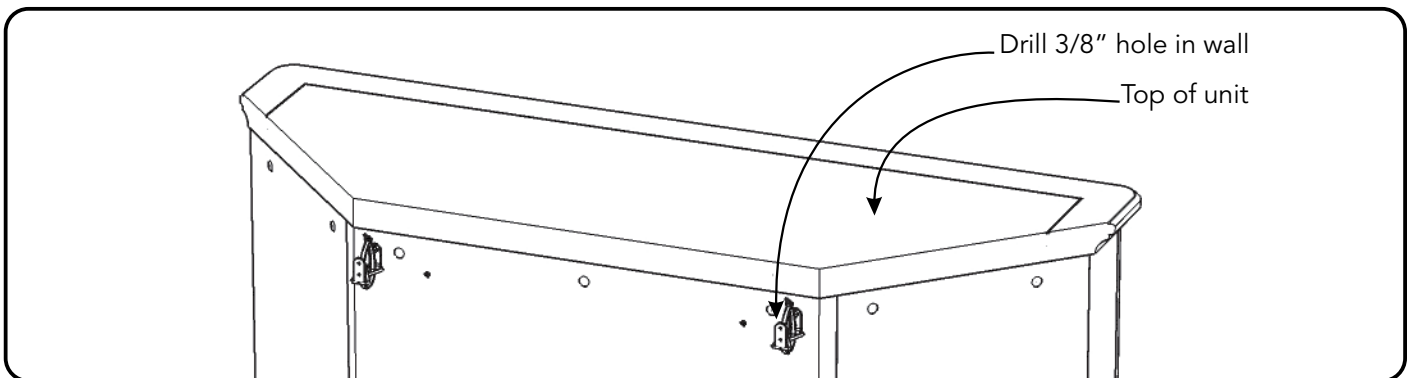
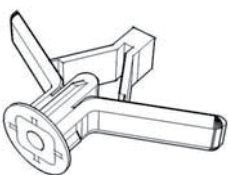


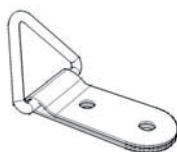
Figure 10



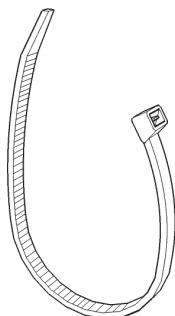
Hardware List



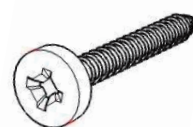
Anchor
2 pcs. (+1 extra)



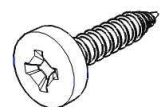
Bracket
4 pcs. (+1 extra)



Tipover Restraint
2 pcs. (+1 extra)



M3.5x40
Wall Screw
2 pcs. (+1 extra)



M3.5x16
Wood Screw
2 pcs. (+1 extra)

CARE INSTRUCTIONS

NEVER

allow liquids to remain on furniture.
Absorption causes parts to warp
and split and finishes to delaminate.

NEVER

use glass cleaners on
finished furniture. Ammonia
chemically attacks the finish.



Do not use power tools
above 8 volts to assemble.
**PREVENT
CRACKING**



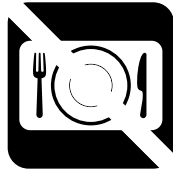
Do not place
in direct sunlight.
**PREVENT
FADING**



Do not write
directly on surface.
**PREVENT
MARKING**



Do not place hot
objects on surface.
**PREVENT
FINISH DAMAGE**



Do not use rubber
based placemats.
**PREVENT
DISCOLORING**



Do not use commercial
waxes and polishes.
**PREVENT
YELLOWING**

CLEAN

with a soft cloth moistened
in lukewarm soap and water.
Buff with a dry clean cloth.



Home Styles will provide replacements free of charge for missing or damaged hardware or parts within 30 days of purchase. Digital images of the defective parts may be required. If the product was not purchased from an authorized retail affiliate, Home Styles is under no obligation to provide replacement parts. Parts are not available for fully assembled items nor are parts available for sale. Replacements for missing or damaged hardware or parts may be requested at:

www.homestyles-furniture.com/customer-service/replacement-parts

Home Styles Customer Service: www.homestyles-furniture.com,
servicedesk@homestyles-furniture.com, 888-680-7460, 877-831-0319