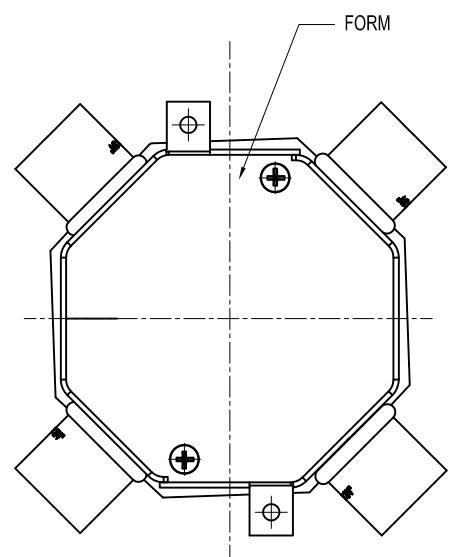
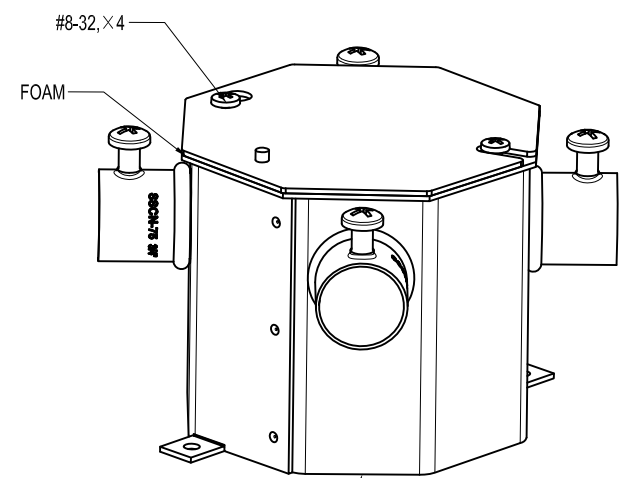
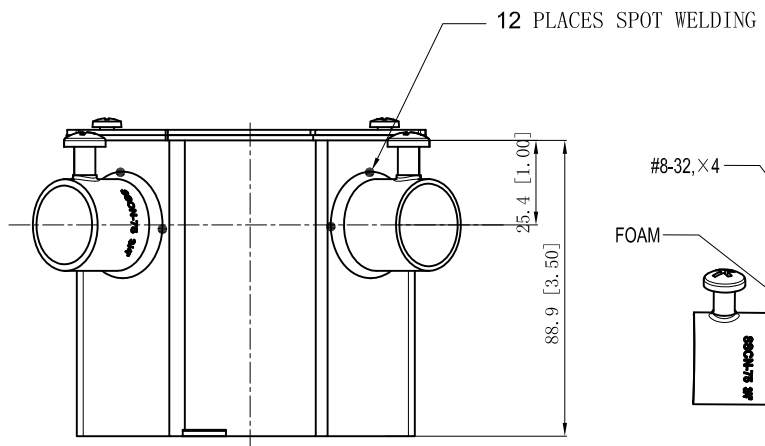
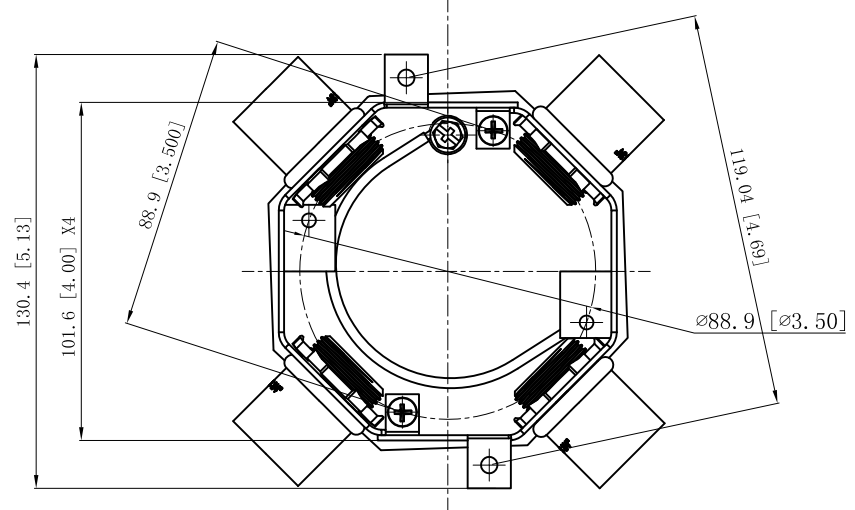


SIDES	BOTTOM
4 3/4" KNOCKOUTS	
4 PCS 8-32x1/2 Screws Installed	
11' Long THHN #12 AWG solid pigtail w/captive #10-32 ground screw	
Material: Steel-0.0625"-G60 Galvanized	



VIEW A



This data sheet is for reference only .GARVIN INDUSTRIES reserves the right to make changes to the design without prior notice.

DESCRIPTION
TRADE REFERENCE TERMS

STANDARD PACKING
20 PCS

GARVIN INDUSTRIES		
TITLE OCTAGON CONCRETE RINGS		
SIZE A4	DWG NO. OCA35075	REV E
DATA SHEET		
www.garvinindustries.com		