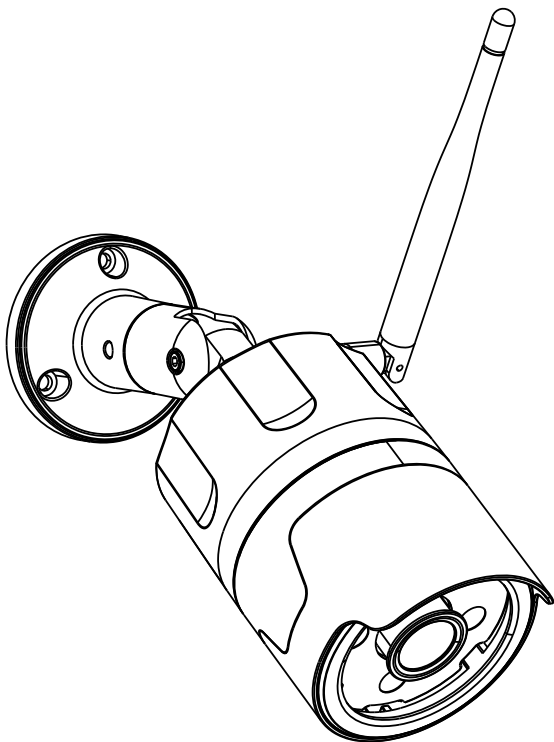


SMART OUTDOOR CAMERA

IMPORTANT SAFETY INSTRUCTIONS AND INSTALLATION GUIDE



Works with
Feit Electric app



Only supports
2.4GHz Wi-Fi
Networks

READ BEFORE INSTALLATION SAVE THESE INSTRUCTIONS

Questions, problems, missing parts? Before returning to the store,
call Feit Electric Customer Service
8 a.m. - 5 p.m., PST, Monday - Friday

1-866-326-BULB (2852)

FEIT.COM

Table of Contents

Table of Contents	2
Safety Information	2
FCC Statement	2
Warranty	2
Pre-Assembly	3
Description	4
Mounting & Installation	5
APP Setup	6
Troubleshooting	6
Need Help?	6

Safety Information

SAVE THESE INSTRUCTIONS

IMPORTANT SAFEGUARDS:

ALWAYS FOLLOW BASIC SAFETY PRECAUTIONS WHEN USING ELECTRICAL PRODUCTS, ESPECIALLY WHEN CHILDREN ARE PRESENT.



WARNING: This product may represent a possible shock or fire hazard if improperly installed or attached in any way. Product should be installed in accordance with the owner's manual, current electrical codes and/or the current National Electric Code (NEC).

RISK OF ELECTRIC SHOCK: Turn off the main power at the circuit breaker before installing.



CAUTION: Please read all information carefully before installation.



CAUTION: If you are unfamiliar or inexperienced with your home's electrical systems, contact a certified electrician for assistance.



CAUTION: Intended for outdoor use. May be used indoors.

Supplier's Declaration of Conformity:

47 CFR § 2.1077 Compliance Information

Responsible Party:

Feit Electric Company
4901 Gregg Road,
Pico Rivera, CA 90660, USA
562-463-2852

Unique Identifier:

CAM/DOOR/WIFI

FCC STATEMENT

This device complies with part 15 of the FCC Rules. Operation is subject to the following two conditions:

(1) This device may not cause harmful interference, and (2) this device must accept any interference received, including interference that may cause undesired operation.

Note: This equipment has been tested and found to comply with the limits for a Class B digital device, pursuant to Part 15 of the FCC Rules. These limits are designed to provide reasonable protection against harmful interference in a residential installation. This equipment generates, uses and can radiate radio frequency energy and, if not installed and used in accordance with the instructions, may cause harmful interference to radio communications. However, there is no guarantee that interference will not occur in a particular installation. If this equipment does cause harmful interference to radio or television reception, which can be determined by turning the equipment off and on, the user is encouraged to try to correct the interference by one or more of the following measures: Reorient or relocate the receiving antenna. Increase the separation between the equipment and receiver. Connect the equipment into an outlet on a circuit different from that to which the receiver is connected. Consult the dealer or an experienced radio/TV technician for help.

Warning: Changes or modifications to this unit not expressly approved by the part responsible for compliance could void the user's authority to operate the equipment.

The device has been evaluated to meet general RF exposure requirement.

The device can be used in portable exposure condition without restriction.

The device can be used in mobile (min 7.87 in.) exposure condition without restriction.

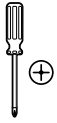
Limited Warranty

This product is warranted to be free from defects in workmanship and materials for up to 1 year from date of purchase. If the product fails within the warranty period, please contact Feit Electric at info@feit.com, visit feit.com/contact-us or call 1-866-326-BULB (2852) for instructions on replacement or refund. REPLACEMENT OR REFUND IS YOUR SOLE REMEDY. EXCEPT TO THE EXTENT PROHIBITED BY APPLICABLE LAW, ANY IMPLIED WARRANTIES ARE LIMITED IN DURATION TO THE DURATION OF THIS WARRANTY. LIABILITY FOR INCIDENTAL OR CONSEQUENTIAL DAMAGES IS HEREBY EXPRESSLY EXCLUDED. Some states and provinces do not allow the exclusion of incidental or consequential damages, so the above limitation or exclusion may not apply to you. This warranty gives you specific legal rights, and you may also have other rights which vary from state to state or province to province.

SD™, microSD™, and SDHC™ are trademarks or registered trademarks of SD-3C, LLC in the United States, other countries, or both.



TOOLS REQUIRED TO MOUNT CAMERA



PHILLIPS
SCREWDRIVER



PENCIL

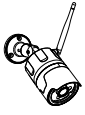


POWER DRILL

HARDWARE INCLUDED



NOTE: Hardware not shown to actual size.



AA



BB



CC

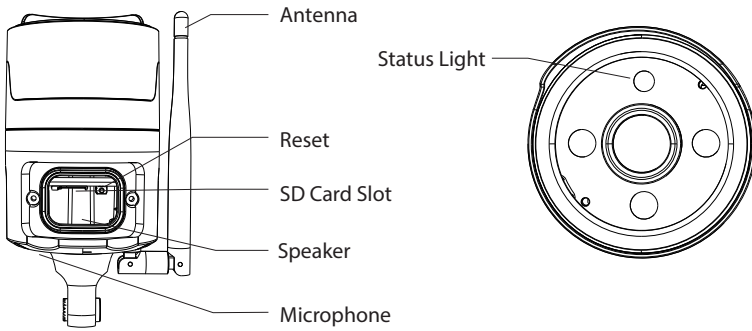


DD



EE

Part	Description	Quantity
AA	Smart Outdoor Camera	1
BB	Power Adapter	1
CC	Mounting Screws	6
DD	Mounting Anchors	6
EE	Hex Key	1



Input Power: 12VDC, Max. 1A

Status Light

Blinking RED = Pairing Mode
Solid RED = No Wi-Fi Connection
Blinking BLUE = Connecting to Wi-Fi
Solid BLUE = Connected to Internet

SD Card Slot

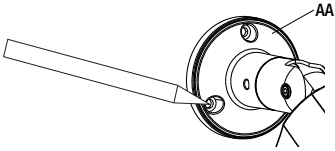
Only supports microSD cards 128GB (FAT32 format) or less

Reset

Press and hold for 5 seconds on the Reset button to reset the camera.

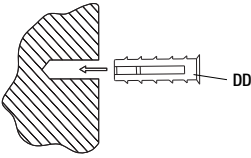
1 Mark Screw Positions

Mark screw positions using the Camera Bracket (AA) on your wall.



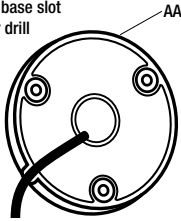
2 Inserting the Mounting Anchors

Drill holes at the marked points if installing on a hard surface such as concrete or brick. Insert Mounting Anchors (DD) into holes. You can skip this step if installing on wood or siding.



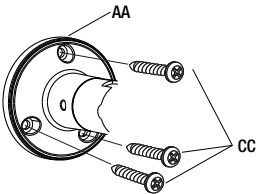
3 Feeding the cable thru the Camera Bracket

The cable can go through the base slot of the Camera Bracket (AA) or drill a hole in the wall if the cable needs to go through there.



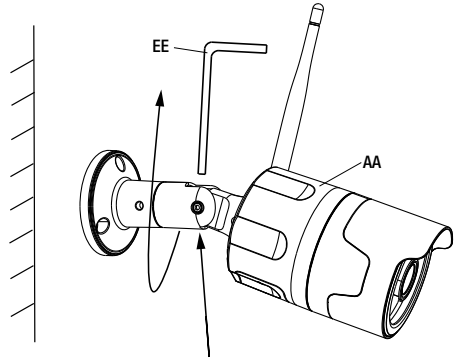
4 Attaching the Camera Bracket

Use the Mounting Screws (CC) to attach the Camera Bracket (AA) to the wall.



5 Adjust Camera

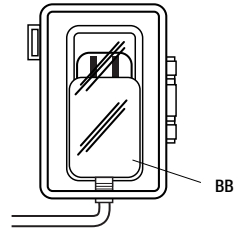
Use the Hex Key (EE) to loosen the hex screws then adjust and rotate viewing angle on the Smart Outdoor Camera (AA).



6 Plug into Wall Outlet

After adjusting, tighten all hex screws. Connect the cable from the camera to the Power Adapter (BB). Plug the camera into an outlet or surge protector.

Note: When using outdoors, plug the camera into an outdoor rated GFCI receptacle with appropriate outdoor cover.



Download and install the Feit Electric app

- Search for the Feit Electric app in the App Store or Google Play Store.
- Download and install the Feit Electric app on your smart device.



Be sure to connect to a 2.4 GHz Wi-Fi network that covers your installation location.

Need Help?

FAQs and the latest versions of user guides can be found at feit.com/help and feit.com/smart.

To reach customer support please visit feit.com/contact-us

Set up the smart outdoor camera using the Feit Electric app

- Check to be sure the camera is in pairing mode. The RED indicator light must be blinking rapidly to connect. If not already blinking, press and hold the Reset Button until you hear an audible tone. Use the Feit Electric app to complete the set up.
- Tap Add Device or the + sign, then select Camera and confirm. You will be prompted to enter your Wi-Fi network and password.

Troubleshooting

PROBLEM	CORRECTIVE ACTION
Camera will not connect to my Wi-Fi network	<ul style="list-style-type: none"> • Make sure the LED is blinking red. If the LED is not blinking red, you will need to press and hold Reset Button located at the back of the camera (see the Description section). • Make sure the Wi-Fi network is a 2.4GHz network, device will not connect to a 5GHz network. • Test your Wi-Fi network with other devices such as your phone or computer to make sure it is operating properly. • The Wi-Fi connection may be out of range during pairing. Use your phone to check range, it is recommended to have at least 2 signal bars showing for proper connection. • Your Wi-Fi network password is case sensitive, make sure you are entering it correctly.
The camera is off-line	<ul style="list-style-type: none"> • There could be a temporary issue with your internet connection (e.g., service disruption). Please try again in a few minutes. • Make sure your Wi-Fi router is turned On. • The camera may not have power to it, make sure the wall switch and breaker is in the On position. • Make sure the camera is getting a good signal from your Wi-Fi router. Use your phone to check range, it is recommended to have at least 2 signal bars showing for proper connection. • The camera may have been disconnected from your Wi-Fi network, press and hold Reset Button (see the Description section) until you see a blinking red LED and hear an audible tone.
What do the blinking LEDs mean?	<ul style="list-style-type: none"> • Blinking RED = Pairing Mode • Solid RED = No Wi-Fi Connection • Blinking BLUE = Connecting to Wi-Fi • Solid BLUE = Connected to Internet
Live video stream is slow to load	<p>Camera streaming issues may be caused by any of the following:</p> <ul style="list-style-type: none"> • Your phone's cellular connection, which is relies on mobile coverage. • Limited internet bandwidth at home, for example, other video streaming services running at the same time on your network can cause congestion slowing down the internet upload and download speeds. • Wi-Fi reception may not be stable or work reliably if the camera's Wi-Fi signal strength is less than 2 signal bars. You may need to install a Wi-Fi repeater or extender to boost the Wi-Fi signal.
How to reset the camera to reenter pairing mode?	<ul style="list-style-type: none"> • Press and hold reset button located at the back of the camera (see the Description section) until you see a blinking red LED and hear an audible tone.
The camera is not recording?	<ul style="list-style-type: none"> • Make sure Record Switch is turned On in app, under SD Card Settings. This is located in the Settings menu on the upper right corner in the control panel. • Make sure that the microSD card is installed correctly. To confirm the camera is recognizing the microSD card, go to the SD Card Settings in the Settings menu and make sure microSD Card Capacity menu shows Total Capacity, Used and Free Space. If this does not appear you may consider reformatting the microSD card. <p>WARNING: Reformatting microSD card will delete all videos stored on card. Please go through the trouble shooting section before doing so or contact our Customer Support Team.</p>
How do I set the camera to Event or Continuous Recording?	<ul style="list-style-type: none"> • In the Settings menu under SD Card Settings make sure Record Switch is turned On and then select Event Recording or Continuous Recording.
How can I check the available space on the SD Card?	<ul style="list-style-type: none"> • In the Settings menu under SD Card Settings, you will see Used Space and Free Space. <p><i>Note: Camera only support microSD cards 128GB (FAT32 format) or less.</i></p>
What happens when the microSD card reaches full capacity?	<ul style="list-style-type: none"> • Once the microSD card reaches full capacity, new videos will start rewriting (deleting) over the oldest videos.
Can I use a new microSD card if I do not want to record over existing videos?	<ul style="list-style-type: none"> • Yes, you can use a new microSD card if you do not want to record over existing videos by removing the side cover on the camera and replacing the exiting microSD card with a new one as long as it does not exceed 128GB. Once this is completed you will need to format the microSD card by going to the SD Card Settings in the Settings menu and pressing Format SD Card then Confirm. <p>WARNING: Reformatting microSD card will delete all content stored on card.</p>