

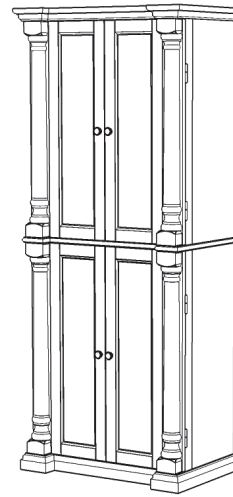
# Pantry

## IMPORTANT

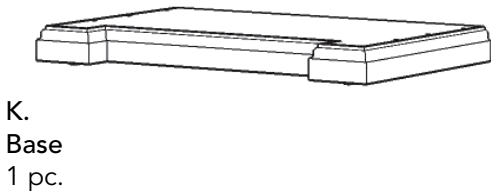
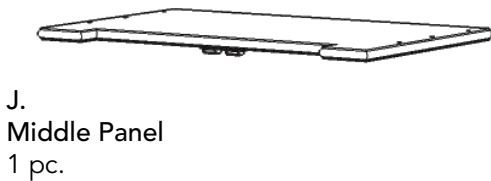
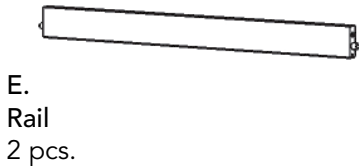
Carefully remove all the parts from the carton and place them individually on a soft cloth to prevent scratches or other damage.

Carefully and strictly follow these assembly instructions to ensure a completed product as designed.

Do not use power tools above 8 volts to assemble.



## Part List



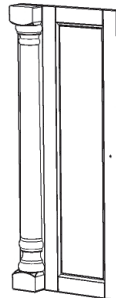
**F.**  
Upright  
1 pc.



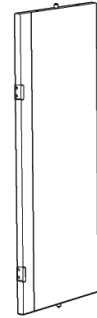
**G.**  
Back Panel  
2 pcs.



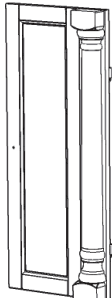
**B.**  
Side Panel  
1 pc.



**H.**  
Door  
1 pc.



**C.**  
Side Panel  
1 pc.

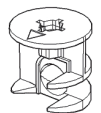


**I.**  
Door  
1 pc.

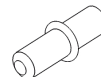
## Hardware List



Cam Lock Screw  
24 pcs. (+1 extra)



Cam Lock  
24 pcs. (+4 extra)



Adjustable Pin  
16 pcs. (+1 extra)



M3.5 x 16  
Wood Screw  
16 pcs. (+1 extra)



Knob  
4 pcs.



M4x25  
Machine Screw  
4 pcs.

Carton 20 05103 0691 is also needed for assembly.

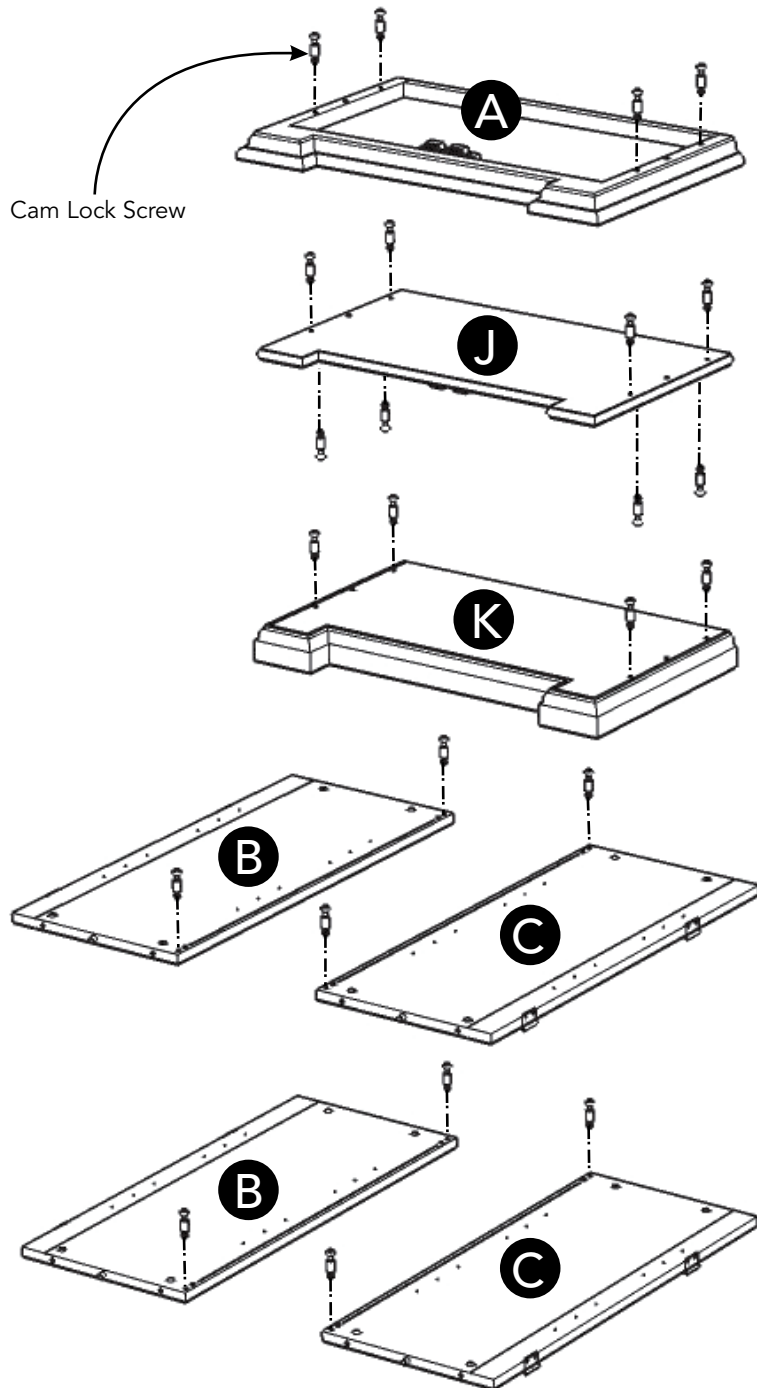
Tool(s) required for assembly: Phillips screwdriver, Level, Drill (8 volts or less), 3/8" Drill Bit

Home Styles Customer Service: [www.homestyles-furniture.com](http://www.homestyles-furniture.com),  
 servicedesk@homestyles-furniture.com, 888-680-7460, 877-831-0319

## Assembly Instructions 2/8

### IMPORTANT

- Use a soft cloth between these parts and the floor.
- Do not use power tools above 8 volts to assemble.
- Make sure unit is level before tightening these screws.
- The unit must be level to work properly. Use the included adjustable levelers to level.
- Keep Hex Wrench as the bolts may need to be tightened in the future.



### STEP 1

Insert Cam Lock Screws into pre-drilled holes in Top (A), Side Panels (B), (C), Middle Panel (J) and Base (K), then tighten. (See Figure 1)

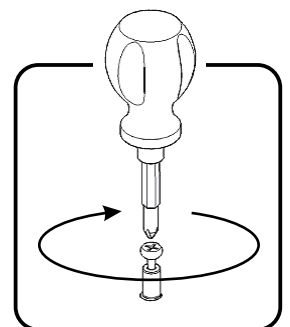


Figure 1

**STEP 2**

Attach Rail (E) to Side Panel (C) with Cam Lock. (See Figure 2)

Attach Upright (F) to unit.

Slide Back Panels (G) into position.

Attach Rail (E) to unit with Cam Lock.

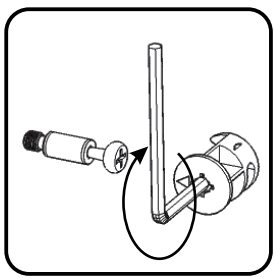
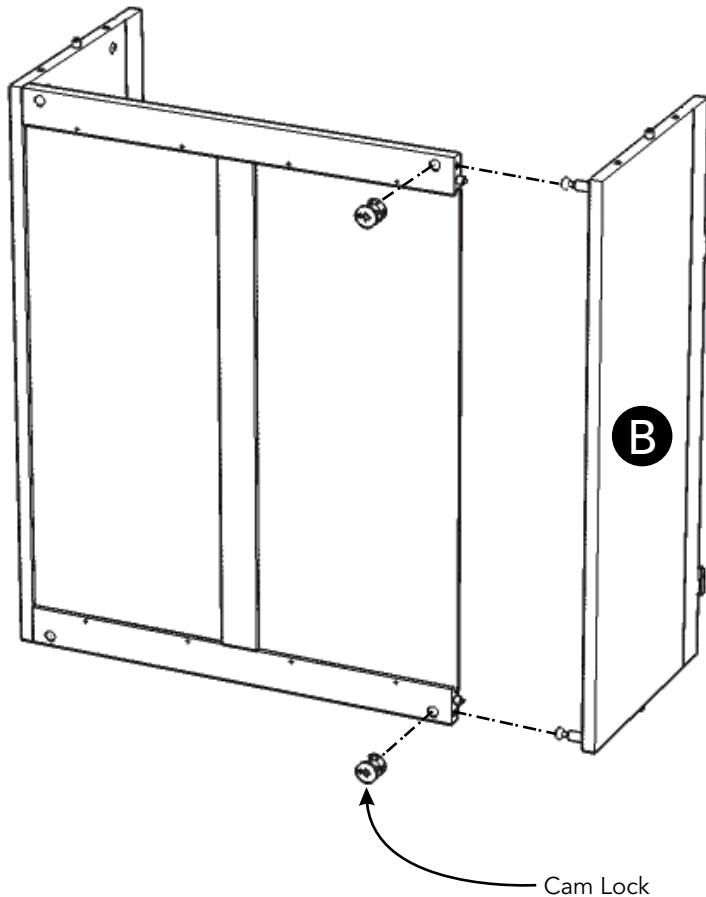
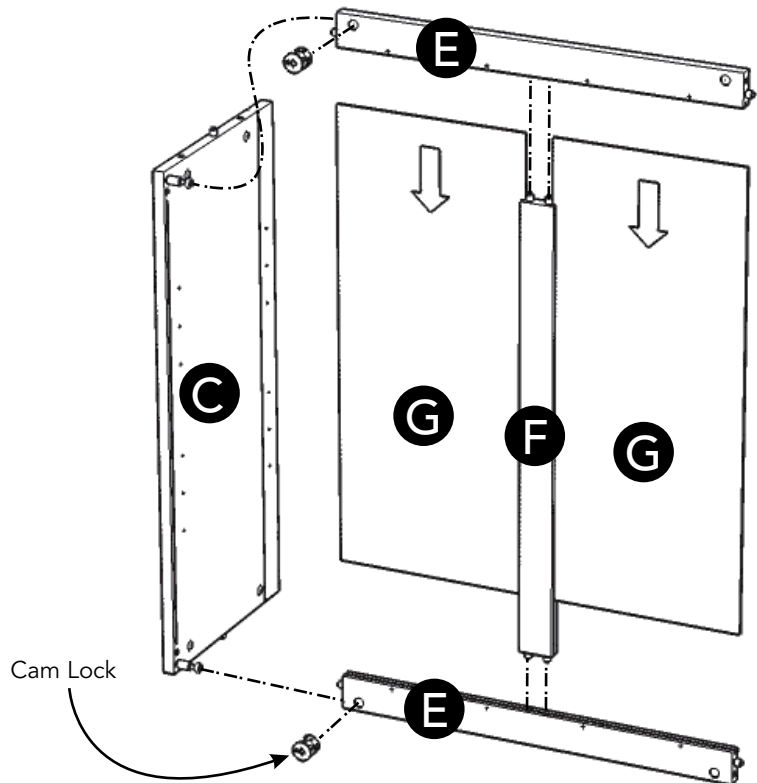


Figure 2



**STEP 3**

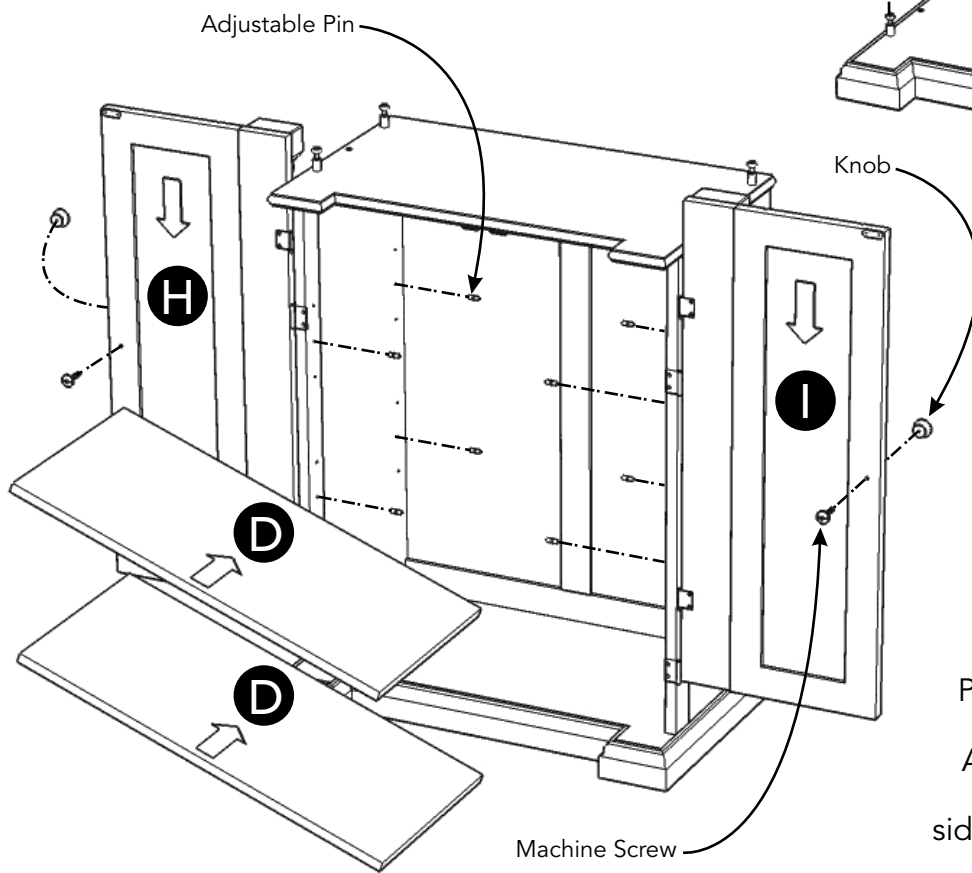
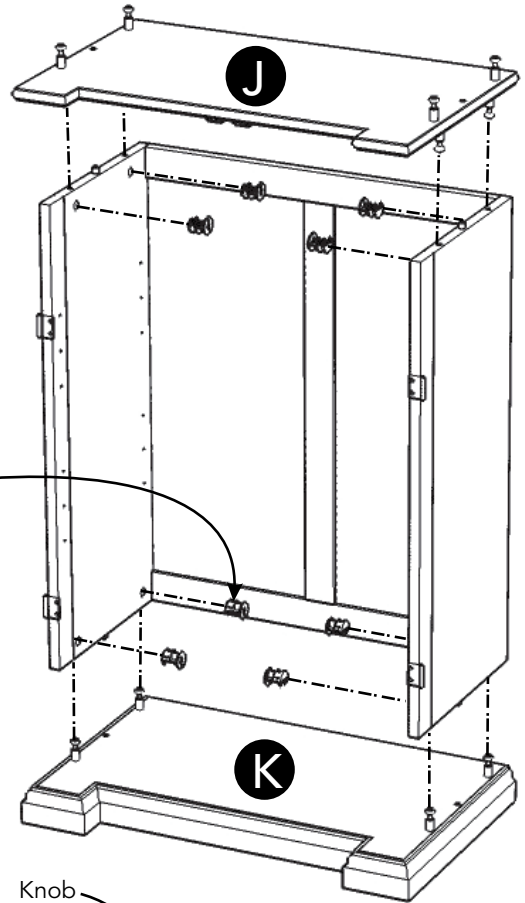
Attach Side Panel (B) to unit with Cam Locks.

# Assembly Instructions 4/8

## STEP 4

Attach unit to Base (K) with Cam Locks.

Attach Middle Panel (J) to unit with Cam Locks.



## STEP 5

Insert Adjustable Pins into side panels at desired level.

Place Shelves (D) into position.

Attach Doors (H) and (I) to unit by sliding door hinges into side panel hinges. (See Figure 3)

Attach Knobs to Doors (H) and (I) with Machine Screws. (See Figure 4)

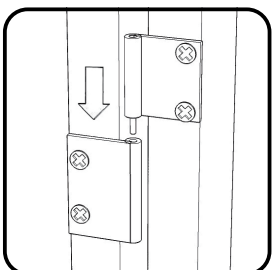


Figure 3

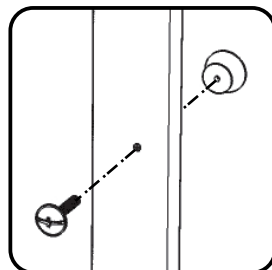


Figure 4

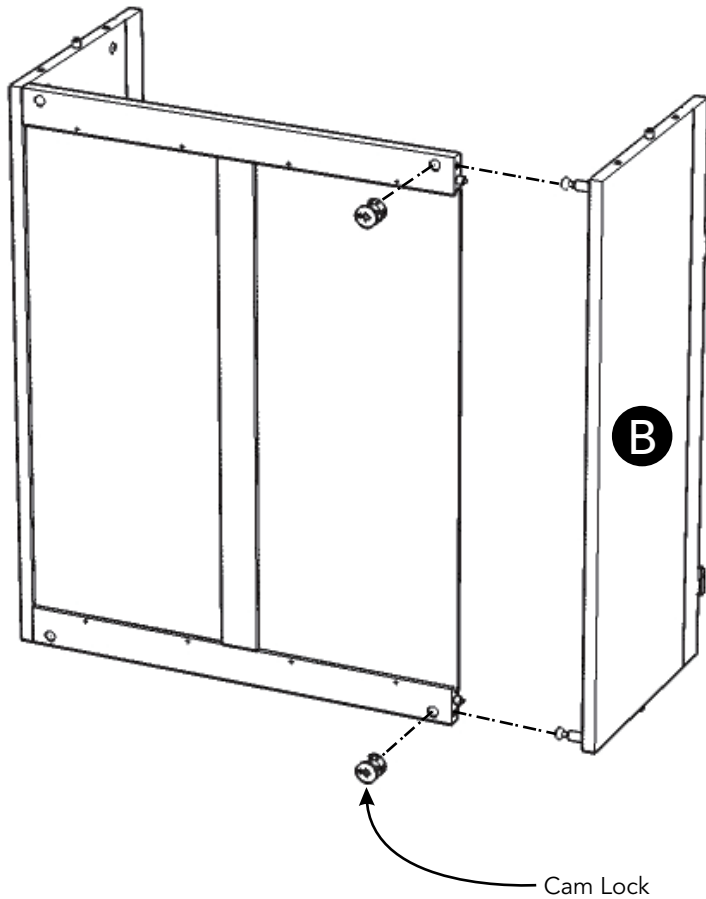
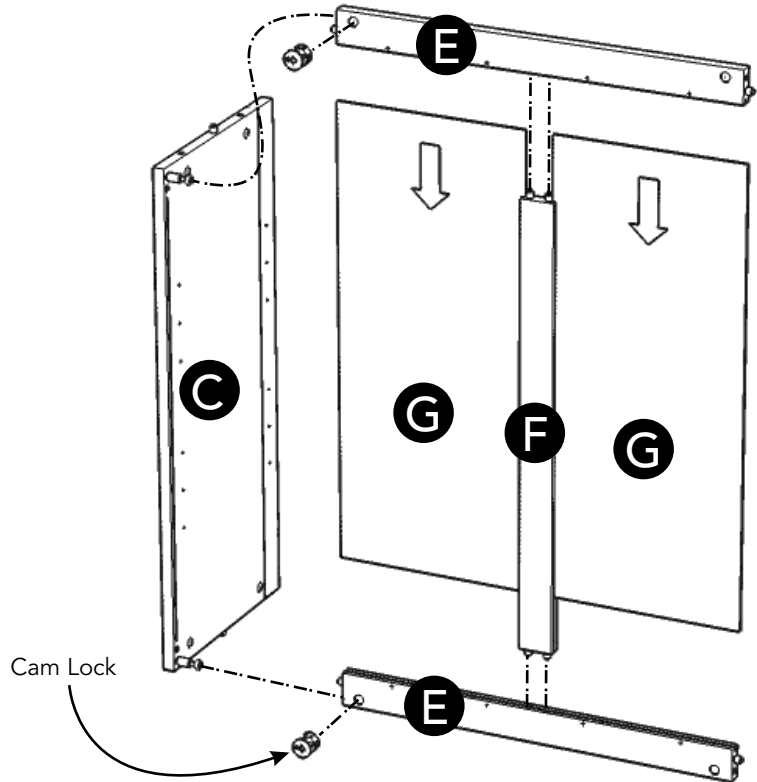
**STEP 6**

Attach Rail (E) to Side Panel (C) with Cam Lock.

Attach Upright (F) to unit.

Slide Back Panels (G) into position.

Attach Rail (E) to unit with Cam Lock.



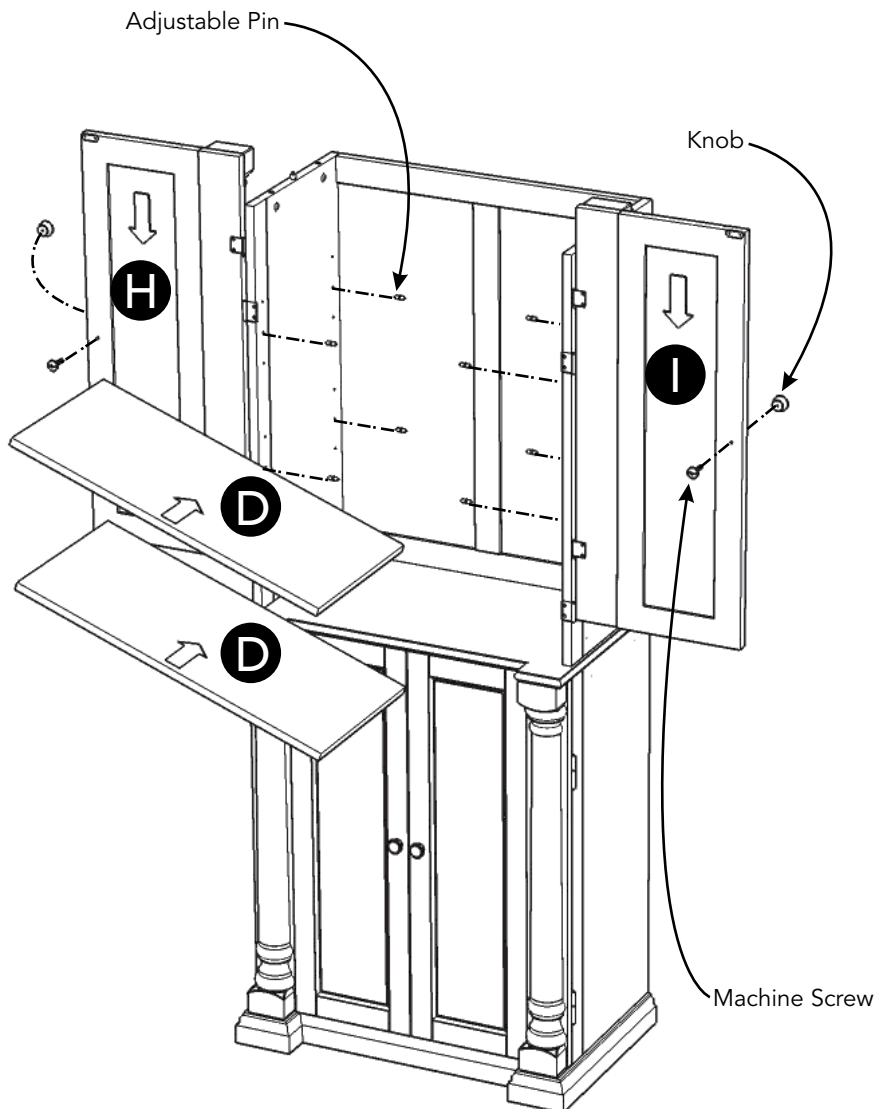
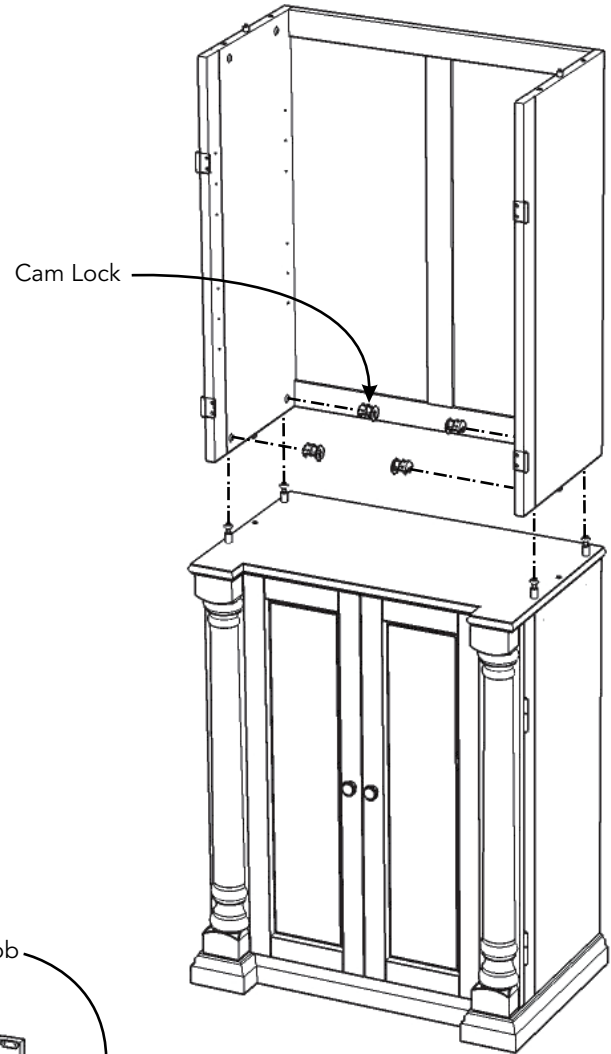
**STEP 7**

Attach Side Panel (B) to unit with Cam Locks.

## Assembly Instructions 6/8

### STEP 8

Attach unit from Step 7 to unit from Step 5 with Cam Locks.



### STEP 9

Insert Adjustable Pins into side panels at desired level.

Place Shelves (D) into position.

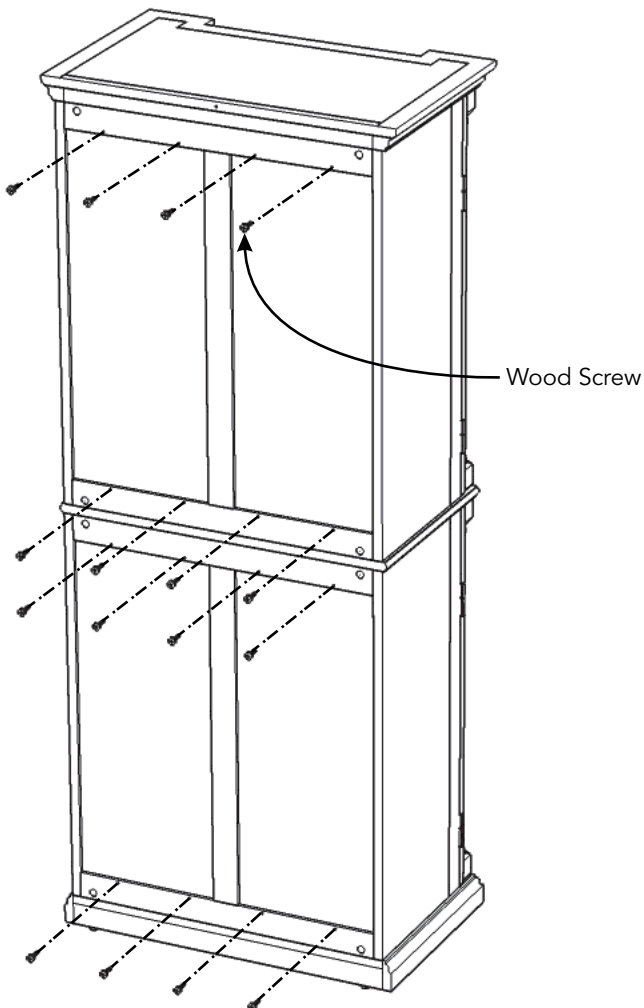
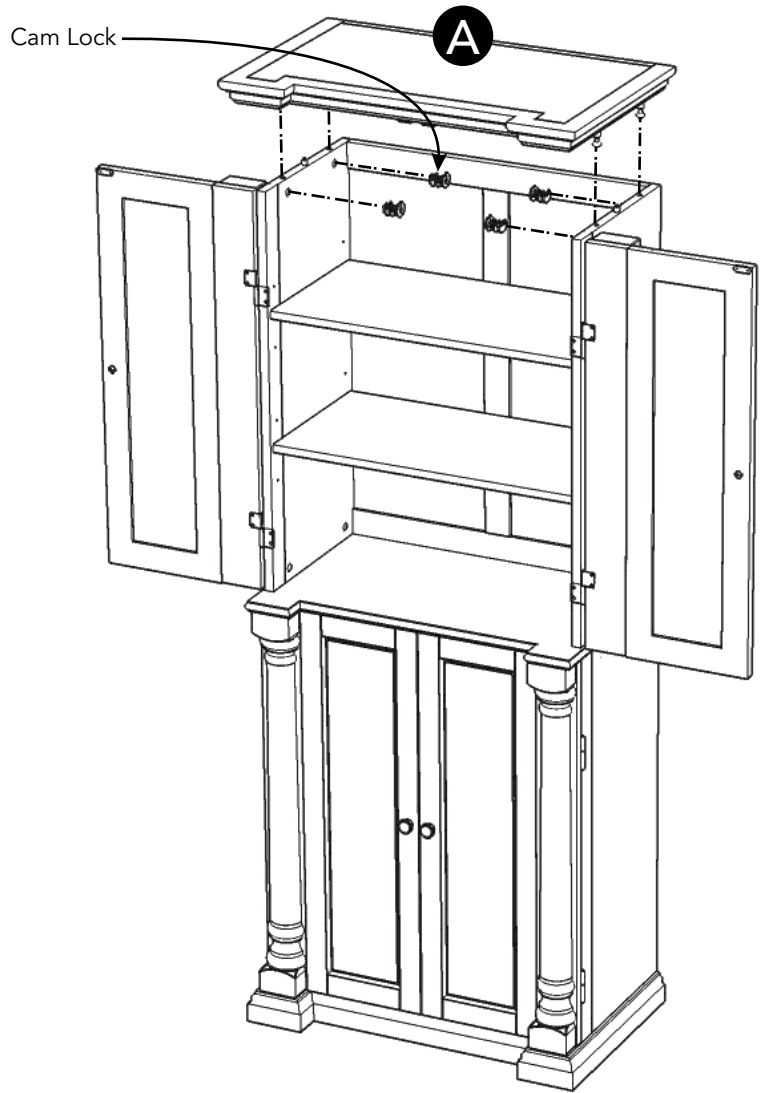
Attach Doors (H) and (I) to unit by sliding door hinges into side panel hinges.

Attach Knobs to Doors (H) and (I) with Machine Screws.

# Assembly Instructions 7/8

## STEP 10

Attach Top (A) to unit with Cam Locks.



## STEP 11

Level unit by adjusting the adjustable levelers on bottom of unit. (See Figure 5)

Insert Wood Screws into pre-drilled holes in unit, then tighten.

Note: Unit must be level before tighten these screws.

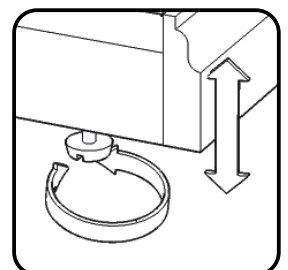


Figure 5

# Assembly Instructions 8/8

## IMPORTANT

- To help reduce the risk of the unit tipping over, the Tip-over Restraint must be installed following these instructions exactly.

## STEP 12

Place unit at desired location.

Drill a 3/8" hole in wall in-line with pre-drilled hole at top of unit.

Move unit.

Insert Anchor into the wall hole and attach Bracket with Wall Screw.

Attach Bracket at pre-drilled hole at top of unit with Wood Screw.

Move unit back into place.

Slide Tip-over Restraint through Bracket on wall and Bracket on unit.  
(See Figure 6)

Put tie end of Tip-over Restraint into lock end of Tip-over Restraint and pull until tight.

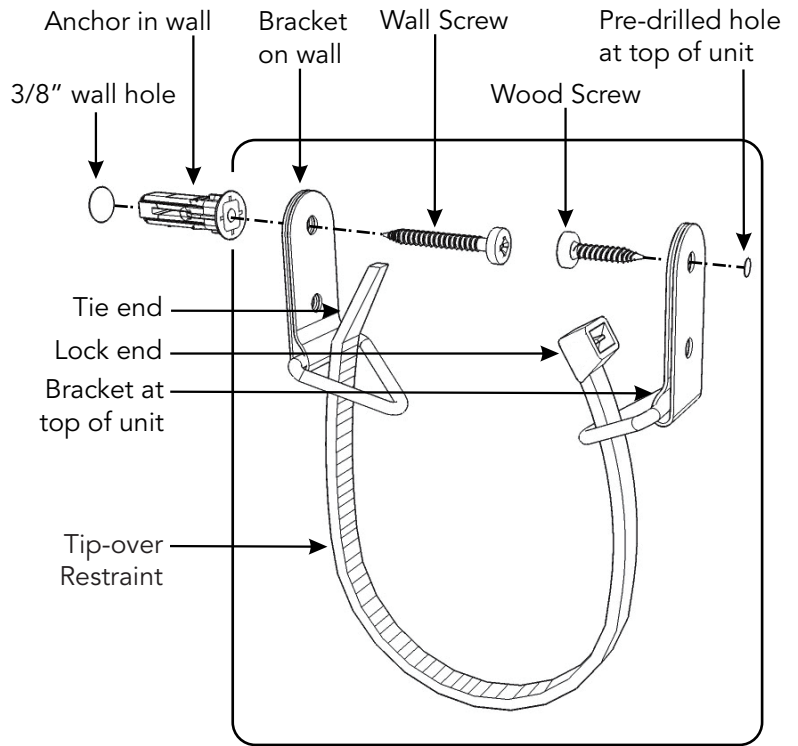
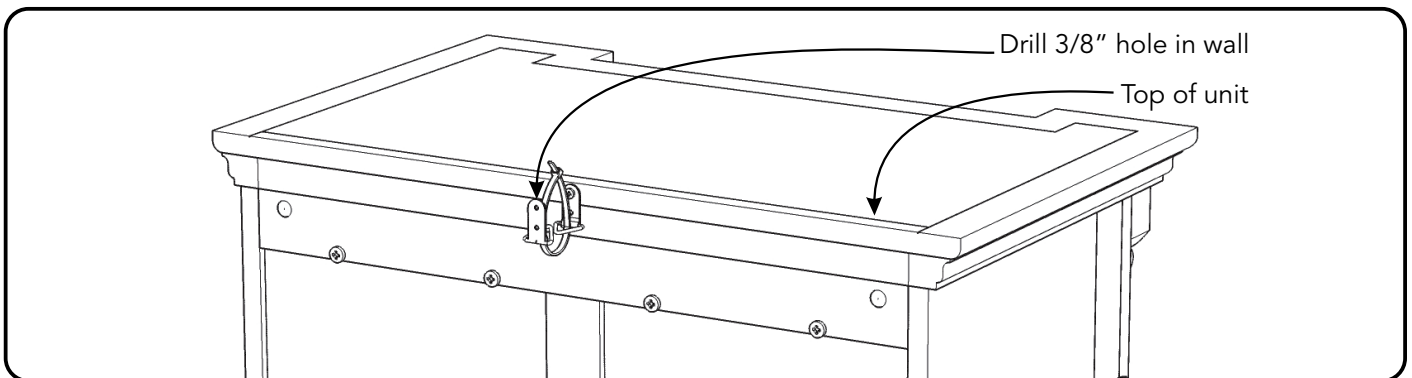
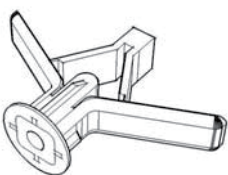


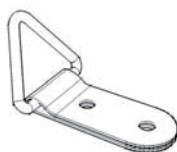
Figure 6



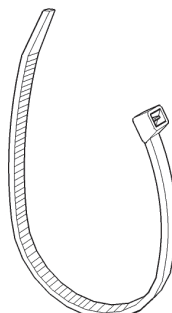
## Hardware List



Anchor  
1 pc. (+1 extra)



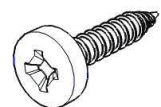
Bracket  
2 pcs. (+1 extra)



Tip-over Restraint  
1 pc. (+1 extra)



M3.5x40  
Wall Screw  
1 pc. (+1 extra)



M3.5x16  
Wood Screw  
1 pc. (+1 extra)



# CARE INSTRUCTIONS

## NEVER

allow liquids to remain on furniture.  
Absorption causes parts to warp  
and split and finishes to delaminate.

## NEVER

use glass cleaners on  
finished furniture. Ammonia  
chemically attacks the finish.



Do not use power tools  
above 8 volts to assemble.

**PREVENT  
CRACKING**



Do not place  
in direct sunlight.

**PREVENT  
FADING**



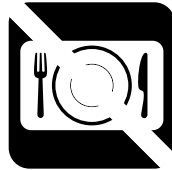
Do not write  
directly on surface.

**PREVENT  
MARKING**



Do not place hot  
objects on surface.

**PREVENT  
FINISH DAMAGE**



Do not use rubber  
based placemats.

**PREVENT  
DISCOLORING**



Do not use commercial  
waxes and polishes.

**PREVENT  
YELLOWING**

## CLEAN

with a soft cloth moistened  
in lukewarm soap and water.  
Buff with a dry clean cloth.



Home Styles will provide replacements free of charge for missing or damaged hardware or parts within 30 days of purchase. Digital images of the defective parts may be required. If the product was not purchased from an authorized retail affiliate, Home Styles is under no obligation to provide replacement parts. Parts are not available for fully assembled items nor are parts available for sale. Replacements for missing or damaged hardware or parts may be requested at:

[www.homestyles-furniture.com/customer-service/replacement-parts](http://www.homestyles-furniture.com/customer-service/replacement-parts)

Home Styles Customer Service: [www.homestyles-furniture.com](http://www.homestyles-furniture.com),  
[servicedesk@homestyles-furniture.com](mailto:servicedesk@homestyles-furniture.com), 888-680-7460, 877-831-0319