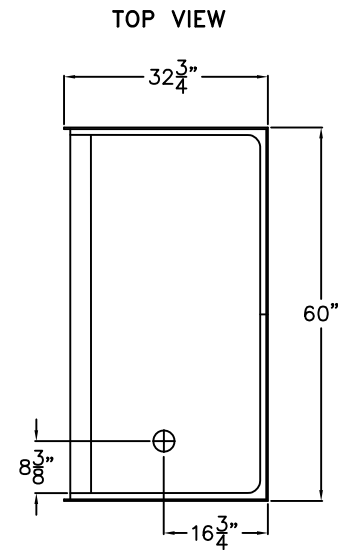
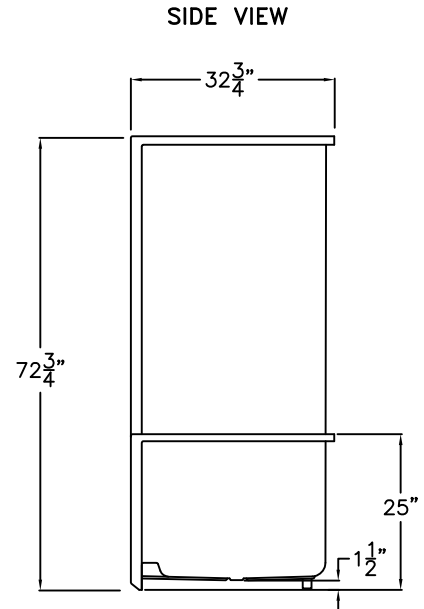
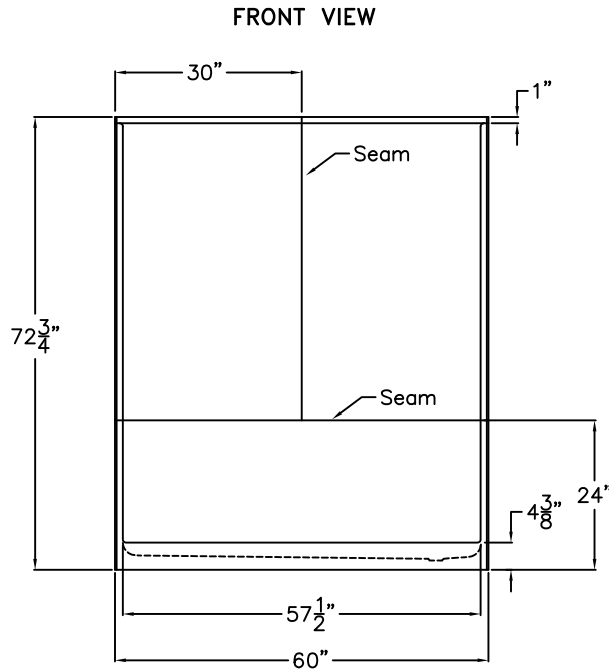


Special Needs Series

SUBMITTAL DATA



Gelcoat 60" Shower Stall

The three-piece shower enclosure shall be Praxis Model H766 right drain. Finished surface shall be of a sanitary-grade polyester Gelcoat exhibiting a minimal thickness of 15 dry miles, and a finished cured Barcol hardness of 80-90 as tested with ASTM D-2583. Unit construction shall be of molded reinforced fiberglass with a 15% minimum fiberglass content. The base shall be attached to the sump of the unit in such a manner to form an integral part with an inner and outer coating of reinforced polyester resin. The unit shall meet IAPMO Z124-1-2, BOCA, CSA B45.5-11, Home Innovation Research Lab, UPC, and shall meet the requirements of Southern Building Code.

The unit shall have outside dimensions of 60" x 32 3/4" x 72 3/4".

The enclosure shall be equipped with the following installed accessories:

- 1) Three Piece Sectional Design,
- 2) Right Hand Drain Location,
- 3) 4 3/8" Threshold.

THIS UNIT FEATURES THE OUTSIDE DIMENSIONS OF 64" OF OVERALL WIDTH. THIS DOES NOT ALLOW FOR FULL ENCLOSURE OF THE BOLTS THAT ARE USED TO SECURE THE BARS AND SEAT IN PLACE. THE BOLT AND NUT COMBINATION SHOULD NOT PROTRUDE ANY MORE THAN 1" ON EITHER SIDE. THIS SHOULD NOT CREATE ANY TYPE OF INSTALLATION PROBLEMS EXCEPT FOR A DRY WALL ENCLOSED FIRE WALL INSTALLATION AREA THAT WOULD NOT ALLOW FOR ANY VARIATIONS. IN A STANDARD STUD/OPENING INSTALLATION, THE EXTENSION OF THE HARDWARE SHOULD NOT CAUSE ANY TYPE OF PROBLEM.

DUE TO THE NATURE OF THE MATERIALS DIMENSIONS MAY VARY ±1/2"

Job Name:	PRAXIS
Approved by Print Name:	Drawing#: HS 766 3P Right Drain
Approved by Signature:	Date: 6-21-07 Revised: 6-4-14
Rep.:	Wholesaler: Quote No.:

PRAXIS INDUSTRIES, INC.
 435 INDUSTRIAL ROAD - SAVANNAH, TN 38372
 1 (800) 443-7269 - FAX (901) 925-4290