

# Installation Instructions

## Bidet Seat with Remote Control

Français, page "Français-1"  
Español, pagina "Español-1"

THE BOLD LOOK  
OF **KOHLER**®

1194356-2-D

## Before You Begin



**WARNING: Risk of electric shock, fire, or personal injury.**

This product must be grounded and connected only to a dedicated, nominal 120 VAC, 60 Hz circuit protected by a minimum 15 A Ground-Fault Circuit-Interrupter (GFCI)\*.



**WARNING: Risk of electric shock.** Do not immerse or flush the product with water.



**CAUTION: Risk of property damage.** Damaged water connections may leak. Do not push or pull on the water supply connections between the seat and the water supply stop.



**CAUTION: Risk of property damage.** A single extension cord may be used provided that the cord type begins with "SJ", is 12-gauge, grounded (12/3), not longer than 25 feet (7.6 meters), and plugged into a GFCI\* electrical outlet. Promptly replace any extension cord that exhibits any sign of damage.

**IMPORTANT! Risk of product damage.** Do not install this product in a location exposed to excessive moisture where condensation might form on the product surface.

**NOTICE:** To avoid possible product malfunction, do not plug in the seat until instructed.

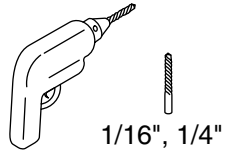
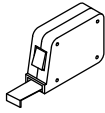
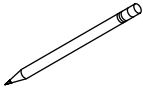
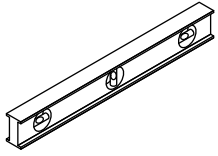
**NOTICE:** Do not use an extension cord with this product.

**NOTE:** The thermal protectors may trip during storage or transportation in warm weather causing the unit to not operate. Allow the unit to cool to room temperature before installation or operation.

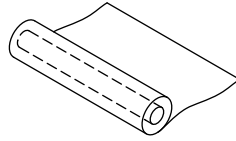
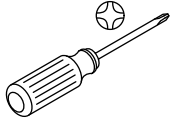
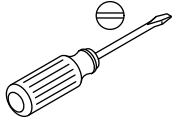
- Observe all local plumbing, electrical, and building codes.
- Only connect the seat to a cold water supply of drinking quality at a pressure of 20 (139 kPa) - 80 psi (551 kPa).

\*Outside North America, this device may be known as a Residual Current Device (RCD).

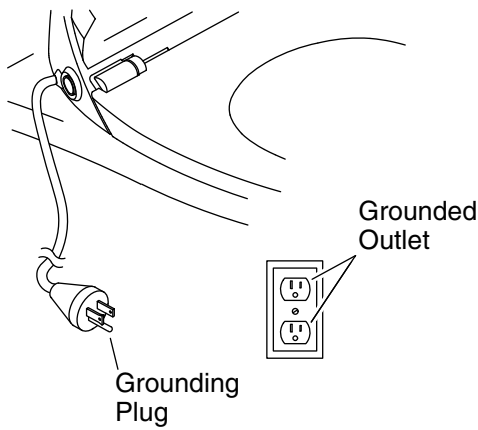
## Tools and Materials



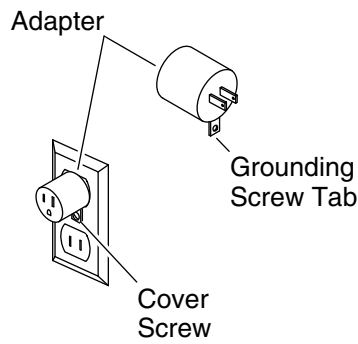
1/16", 1/4"



Plastic Wrap



**Preferred Connection**



**Temporary Connection**

## Grounding Instructions

- This product should be grounded. In the event of an electrical short circuit, grounding reduces the risk of electric shock by providing an escape wire for the electric current. This product is equipped with a cord having a grounding wire with a grounding plug. The plug must be plugged into an outlet that is properly installed and grounded.



**DANGER: Risk of electric shock.** Improper use of the grounding plug can result in a risk of electric shock.

- If repair or replacement of the cord or plug is necessary, do not connect the grounding wire to either flat blade terminal. The wire with insulation having an outer surface that is green with or without yellow stripes is the grounding wire.
- Check with a qualified electrician or service personnel if the grounding instructions are not completely understood, or if in doubt whether the product is properly grounded.

**NOTICE:** Follow local codes when determining the connection type. The temporary connection may not be permitted by local electrical codes.

**NOTICE:** To avoid possible product malfunction, do not plug in the seat until instructed.

### Preferred Connection

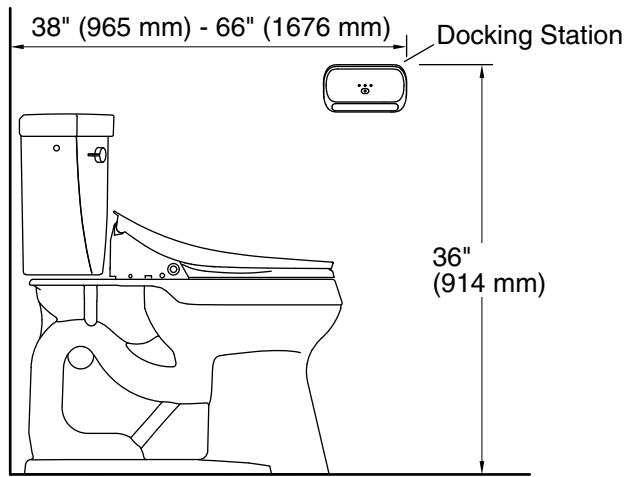
- Connect the grounding plug into a grounded outlet that has the same configuration as the plug.

## Grounding Instructions (cont.)

### Temporary Connection

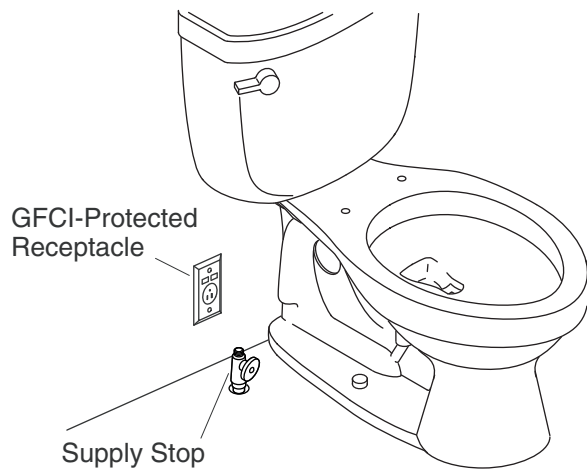
**NOTICE:** Unless the outlet cover screw is grounded through the house wiring, attaching the adapter grounding screw tab to the cover screw will NOT ground the unit. If there is any doubt whether the cover screw is grounded, have it checked by a qualified electrician or service professional.

- A temporary connection with a two-prong adapter may be used where local codes permit, provided the adapter is grounded.



## 1. Preparation

- If applicable, remove the existing toilet seat.
- Turn off the water supply to the toilet.
- Flush the toilet to relieve any pressure from the water supply hose.
- Disconnect the water supply hose from the toilet fill valve.
- Determine the installation location for the remote control docking station on the wall.



## 2. Install an Electrical Outlet



**WARNING: Risk of electric shock.** Connect only to a circuit protected by a Class A Ground-Fault Circuit-Interrupter (GFCI)\*, which protects against line-to-ground shock hazard. Use 120 V, 15 A, 60 Hz service.

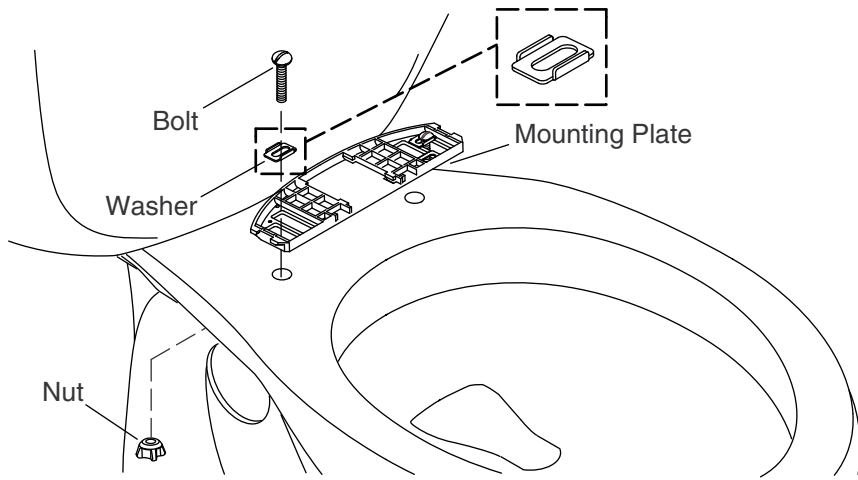


**CAUTION: Risk of property damage.** A single extension cord may be used provided that the cord type begins with "SJ", is 12-gauge, grounded (12/3), not longer than 25 feet (7.6 meters), and plugged into a GFCI\* electrical outlet. Promptly replace any extension cord that exhibits any sign of damage.

**NOTE:** Follow local codes when determining the electrical outlet location.

- Install a 120 V GFCI\*-protected electrical outlet within 12" (305 mm) of the toilet to accommodate the length of the power cord.
- Do not plug in the seat until instructed to do so.

\*Outside North America, this device may be known as a Residual Current Device (RCD).



### 3. Install the Mounting Plate

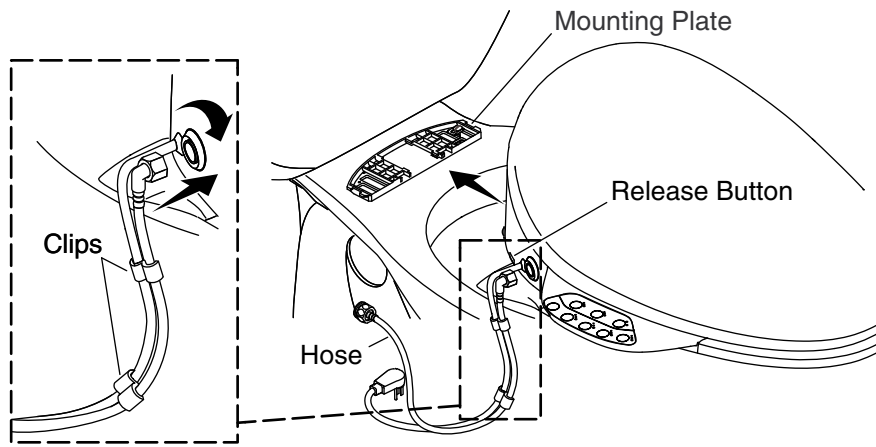
- Position the mounting plate over the mounting holes on the bowl.
- Position the washers to rest in the mounting plate grooves.

#### **For Toilets with Threaded Mounting Holes**

- Insert the bolts through the washers and thread into the mounting holes.
- Do not fully tighten at this time.

#### **For All Other Installations**

- Insert the bolts through the washers and into the mounting holes.
- Thread a nut onto each bolt.
- Do not fully tighten at this time.



#### 4. Install the Seat and Hose

##### Position the Seat

- Slide the seat onto the mounting plate until it snaps in place.
- Check the positioning of the seat. Adjust if needed.

##### Adjust the Seat

- Remove the seat by pressing the release button and sliding the seat forward.
- Reposition the mounting plate as needed.

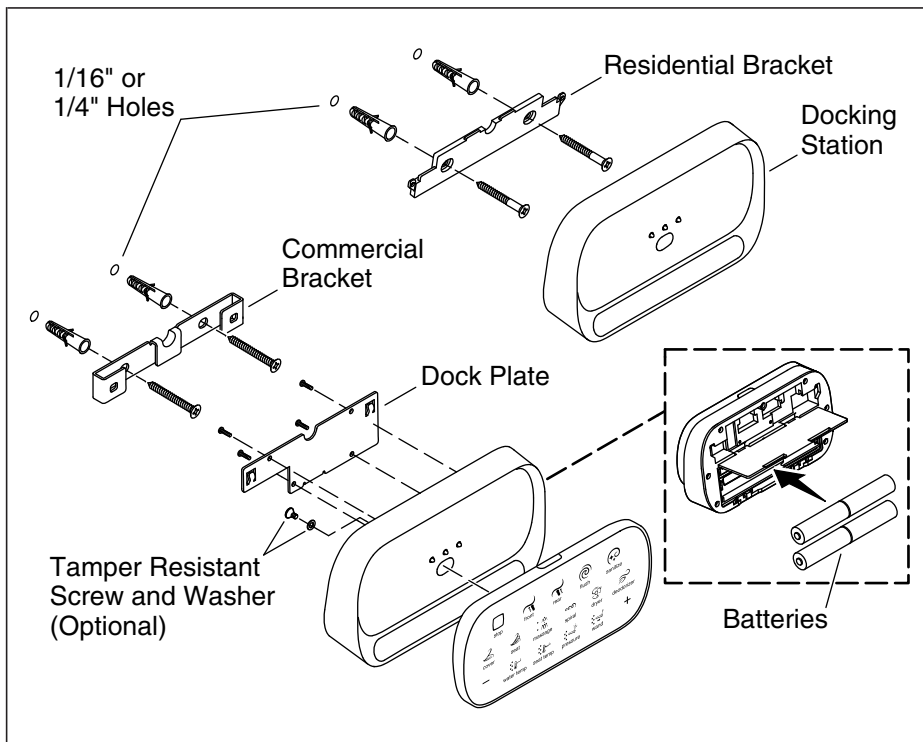
##### Install the Seat

- Securely tighten the mounting plate bolts and nuts.
- Slide the seat onto the mounting plate until it snaps in place.

##### Install the Hose

**IMPORTANT! Risk of product damage.** Do not cross-thread the hose-to-seat connection.

- Connect the seat supply hose to the cleansing seat. Do not overtighten.
- Use the supplied clips to attach the power cord and seat supply hose together.



## 5. Install the Docking Station

**NOTE:** For commercial applications, install the commercial mounting bracket and the dock plate.

- Position the mounting bracket at the desired location.
- Confirm that the bracket is level and mark the two mounting-hole locations.
- For installation to a stud or other wood surface:** Drill 1/16" holes at the marked locations.
- For installation using wall anchors:** Drill 1/4" holes at the marked locations and install anchors.
- Attach the bracket with the screws.
- Install four AA batteries in the compartment on the back of the docking station.

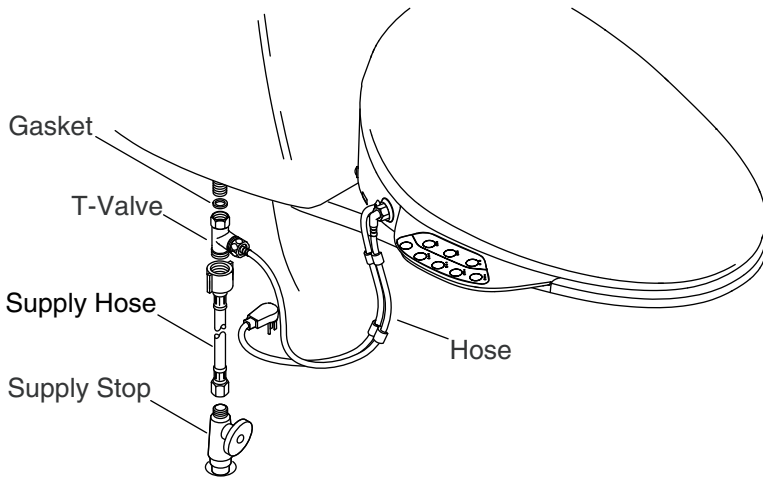
### Residential

- Position the docking station on the bracket.
- Place the remote control on the docking station.

## **Install the Docking Station (cont.)**

### **Commercial**

- To make the remote control tamper-resistant, secure to the docking station using the supplied washer and screw.
- Install the dock plate to the docking station with the four screws.
- Position the docking station into the mounting bracket, which will be offset to the left.
- Firmly push down on the docking station to fully seat onto the bracket.



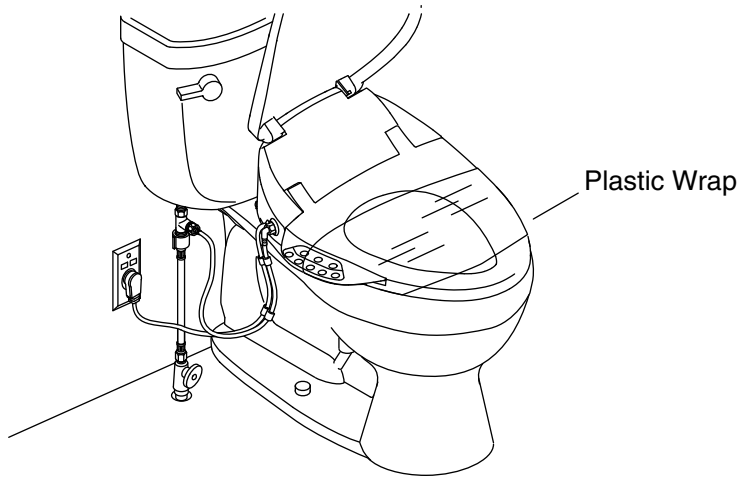
## 6. Connect the Water Supply



**CAUTION: Risk of property damage.** Do not push or pull on the water connection between the seat and the water supply stop. This will prevent water leakage.

**NOTICE:** Use care to avoid cross threading or overtightening the connections. Use an adjustable wrench to tighten one-quarter turn past hand-tight.

- Confirm that the gasket is in place in the T-valve. Install if needed.
- Connect the T-valve to the water inlet on the toilet tank.
- Connect the seat hose to the T-valve.
- Connect the supply hose to the T-valve and supply stop.
- Turn on the water supply.
- Check all connections for leaks and make any adjustments as needed.



## 7. Installation Checkout

**NOTE:** Covering the seat with plastic wrap is optional. You can test the features while sitting on the cleansing seat or covering the wand with your hand.

**NOTE:** When testing the features, activate the sensor with your hand by pressing on the right side (facing the toilet) of the seat, or by sitting on the seat.

- Wrap the seat with plastic wrap. This will prevent water from spraying beyond the toilet during testing.
- Plug the power cord into the electrical outlet. The seat will go through a power-up sequence. The seat will go silent when the power-up is complete.
- Refer to the Homeowners Guide to test the various seat features.