

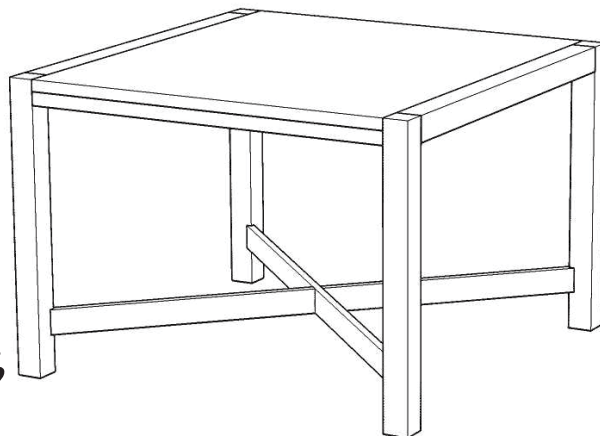
88 5601 37 Dining Table

IMPORTANT NOTE

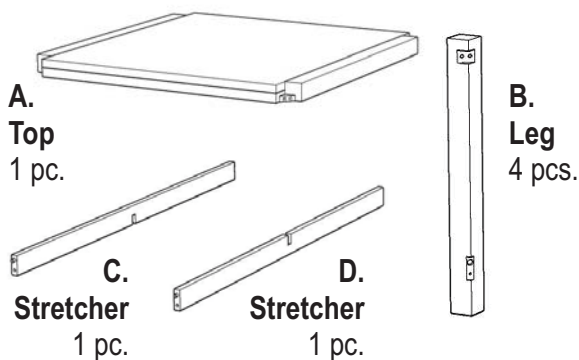
Carefully remove all the parts from the carton and put them individually on a soft cloth to prevent scratches or other damages occurring to the parts.

We have taken great care in the design of this product and request that you carefully and strictly follow our assembly instructions to ensure a completed product as it was designed.

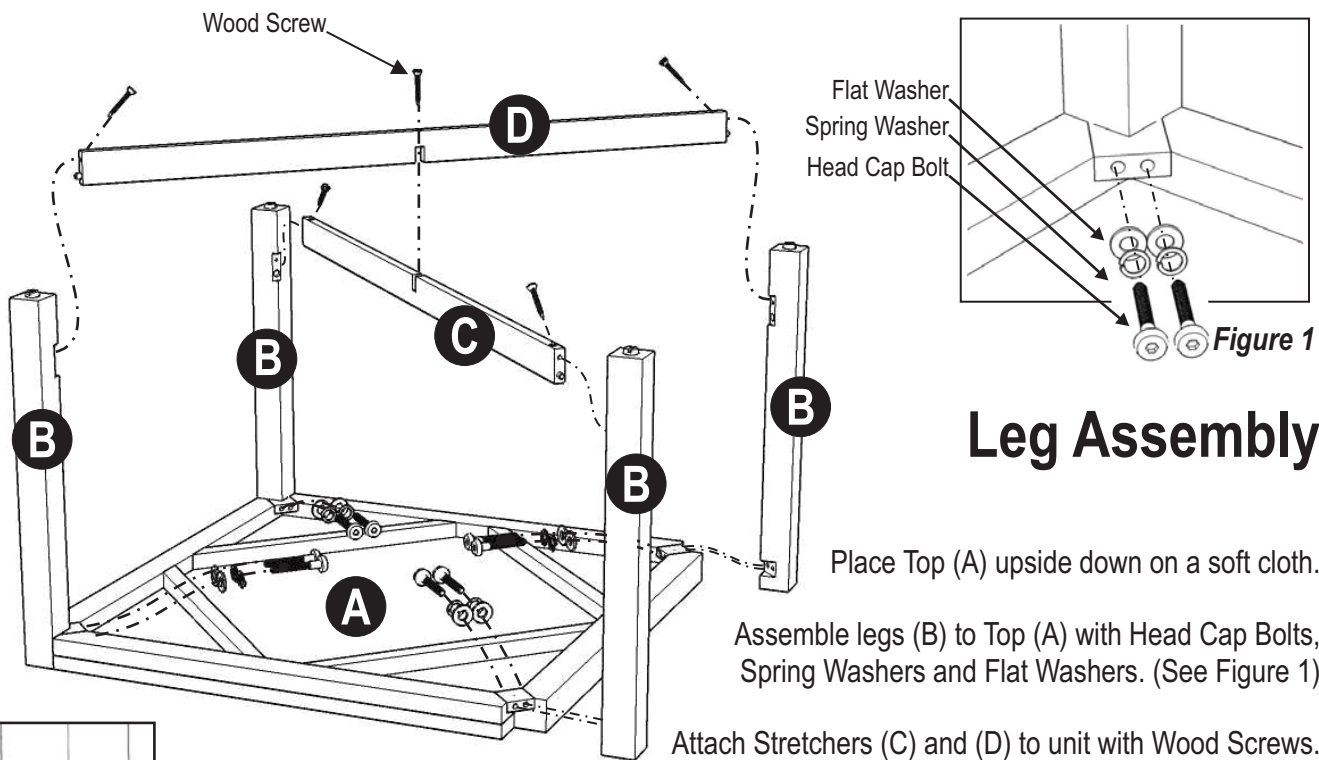
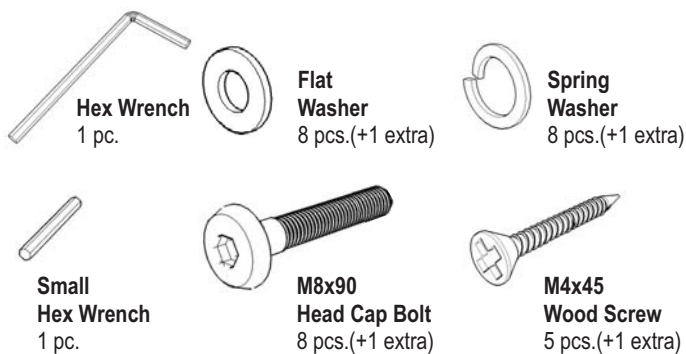
Home Styles



PART LIST



HARDWARE LIST



Leg Assembly

Place Top (A) upside down on a soft cloth.

Assemble legs (B) to Top (A) with Head Cap Bolts, Spring Washers and Flat Washers. (See Figure 1)

Attach Stretchers (C) and (D) to unit with Wood Screws.

Turn the table to its' upright position.

To level the table, adjust the adjustable levelers on the bottom of the legs. (See Figure 2)

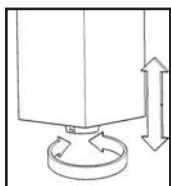


Figure 2

Note: Frozen precipitation may damage the top. Store inside in freezing weather.

Tools required for assembly : **Phillips** screwdriver

Tools recommended for assembly :Level

Home Styles Consumer Assistance: www.homestyles-furniture.com,
servicedesk@homestyles-furniture.com, 888-680-7460, 877-831-0319