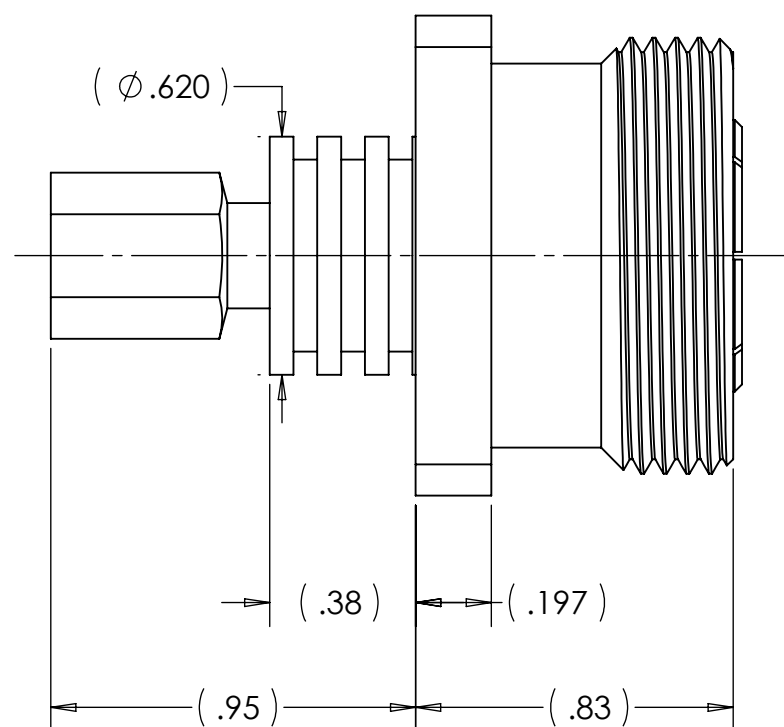
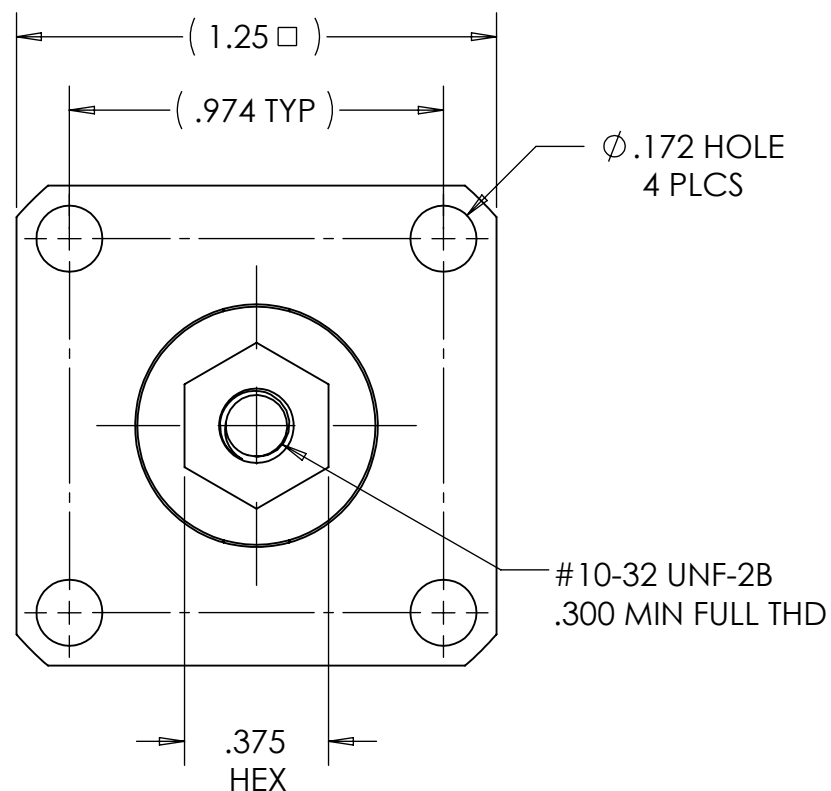
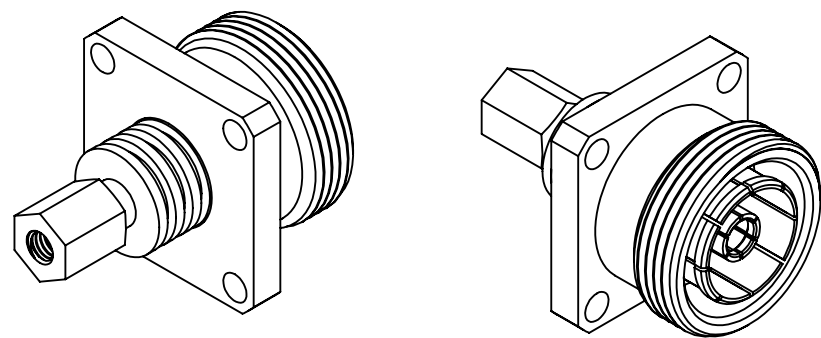


This document, including the design, configuration and mechanical features revealed herein are the sole, confidential and proprietary property of TRU Corporation. Reproduction or use thereof, in whole or part, is prohibited without the prior written consent of TRU Corporation.

REV.	DESCRIPTION	DATE	APPROVED
-	ORIGINAL ISSUE	08/26/13	AM



ENGINEERING DATA


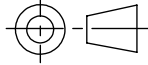
ELECTRICAL:
 IMPEDANCE: 50 OHMS NOMINAL

MECHANICAL:
 INTERFACE: 7-16(f) PER IEC 169-4

MATERIAL:
 CONTACTS: BRASS & BERYLLIUM COPPER
 INSULATOR: PTFE
 CONTACT FINGERS: PHOSPHOR BRONZE
 BODY: BRASS

FINISH:
 CONTACTS: SILVER PLATED
 CONTACT FINGERS: SILVER PLATED
 BODY: NICKEL PLATED

NOTES:
 1. UNLESS OTHERWISE SPECIFIED; ALL DIMENSIONS ARE FOR REFERENCE ONLY.

MATERIAL	DO NOT SCALE DRAWING	DRAWN AM	DATE 08/26/13	 TRU Corporation 245 Lynnfield St, Peabody, MA 01960 EXPERIENCE. TRU INNOVATION.	
	UNLESS OTHERWISE SPECIFIED: DIMENSIONS ARE IN INCHES TOLERANCES: FRACTIONS: $\pm 1/64$.XX : $\pm .01$.XXX: $\pm .005$ ANGLES: $\pm 1/2^\circ$ MACHINED SURFACES: $63/\checkmark$	ENG APPR. AM	DATE 08/26/13		TITLE: CONNECTOR, COAXIAL 7-16(f) RECEPTACLE, PANEL
MFG APPR.		DATE			
OTHER APPR.		DATE	THIRD ANGLE PROJECTION 	SIZE B	DWG. NO. TRU-12449
COMMENTS:	surface area: sq inch	weight: lbs	CAGE CODE: 92180	SCALE: 2:1	SHEET 1 OF 1