

ASSEMBLY INSTRUCTIONS

76302-2617/2608 ROUND CKTL TABLE

Thank you for purchasing this quality product. Be sure to check all packing material carefully for small parts, which may have come loose inside the carton during shipment. Identify and count all parts and compare with the Parts List below.

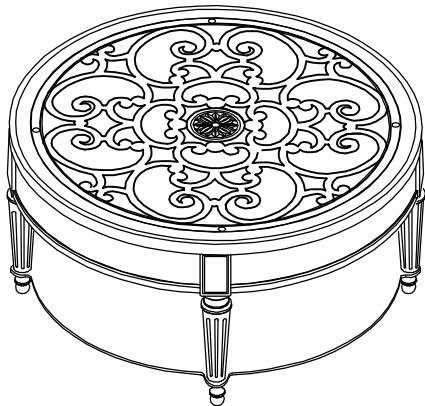


Diagram3

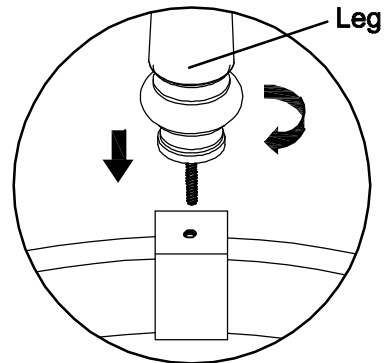


Diagram1

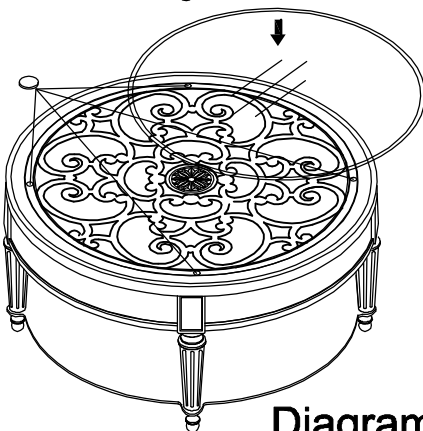


Diagram2

NO	Parts List	Q'ty
A	 Leg	4
B	 Bun foot	4
C	 Shelf	1
D	 Glass Bumper	4
E	 Glass Shelf	1

STEPS:

- 1) Turn the table top face down on a smooth, soft surface to prevent scratching the finish.
- 2) Attach legs to the square blocks on the apron as shown in Diagram 1.
- 3) Put the shelf to the bottom of legs and attach the bun feet on to connect them together as shown in Diagram 2.
- 4) Place the glass bumper before you put the glass top, as shown in Diagram 3.

Caution: Over tightening screws or bolts may cause damage
It is suggested that two people work together for this assembly process.
 Cleaning instructions: clean the surface with furniture polish and a soft cloth.