

PEX Ring

Job Name _____
 Location _____
 Engineer _____
 Contractor _____
 Tag _____ PO# _____

Specifications

Manufactured to the highest industry standards, Jones Stephens' F1807 crimp fittings provide precise, leak-free connections. The secure and reliable crimp fitting method provides full, immediate strength upon installation, with 360-degree uniform pressure. Approved for use with PEX piping.

Applications

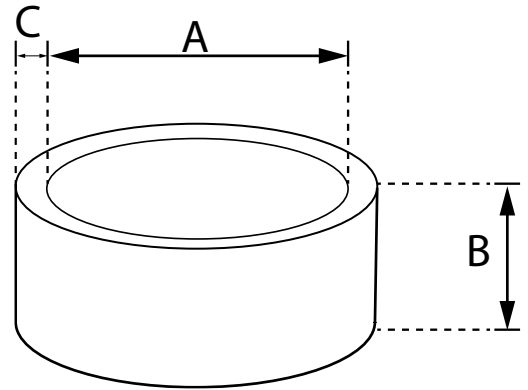
Jones Stephens' PEX Rings are approved for use with commercial and residential non-potable water applications.

Materials

Copper

Certifications/Listings/Approvals

- ASTM F1960-2021
- NSF/ANSI 372-2022
- NSF/ANSI/CAN 61-2021
- NSF/ANSI 14-2016a
- ASTM F1807-2019b
- CSA B137.5-2017



PRODUCT OFFERING ON PAGE 2

Dimensions and Product Offering

PART NO.	SIZE	A - IN (MM)	A TOLERANCE ±IN(MM)	B - IN (MM)	B TOLERANCE ±IN(MM)	C - IN (MM)	C TOLERANCE ±IN(MM)	WEIGHT - LBS (G)	WEIGHT TOLERANCE ±LBS (G)
C76070	0.37"	0.51 (13.06)	0.003 (0.08)	0.31 (7.75)	(+.007-0) ((+.20-0))	0.04 (1.00)	0.002 (0.05)		0.001 (0.45)
C76071	0.50"	0.64 (16.23)	(+.006-0) ((+.16-0))	0.31 (7.80)	(+.02-0) ((+.50-0))	0.05 (1.37)	(+.004-0) ((+.10-0))		0.001 (0.45)
C76072	0.75"	0.89 (22.66)	0.003 (0.07)	0.31 (7.80)	(+.02-0) ((+.50-0))	0.05 (1.37)	(+.004-0) ((+.10-0))		0.001 (0.45)
C76073	1.00"	1.15 (29.35)	0.003 (0.07)	0.36 (9.05)	(+.015-0) ((+.38-0))	1.20	(+.004-0) ((+.10-0))		0.001 (0.45)