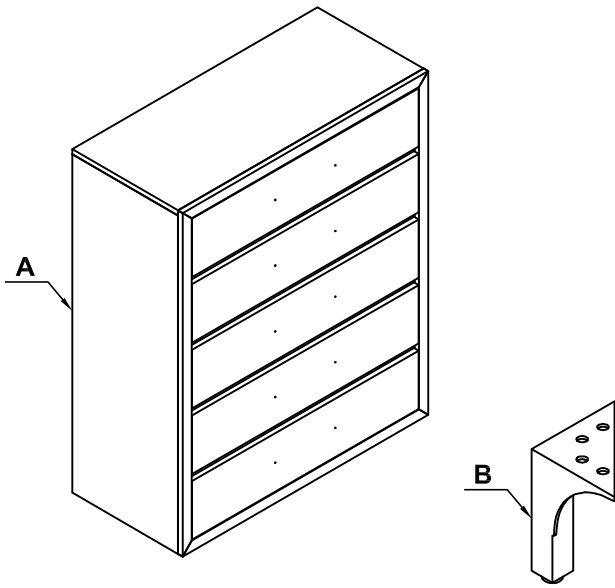


LUCERNE CHEST ASSEMBLY INSTRUCTIONS

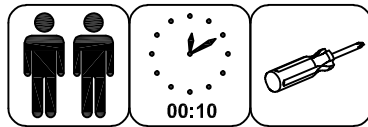


HARDWARE ENCLOSED IN CARTON

1	ALLEN BOLT (6x15mm)		16 PCS
2	SPRING WASHER (M6)		16 PCS
3	FLAT WASHER (M6)		16 PCS
4	ALLENKEY (M4)		1 PC

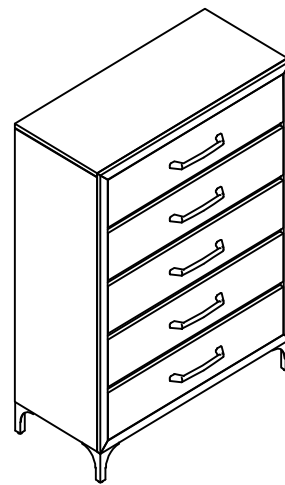


A. CABINET 1PC
B. LEGS 4PCS

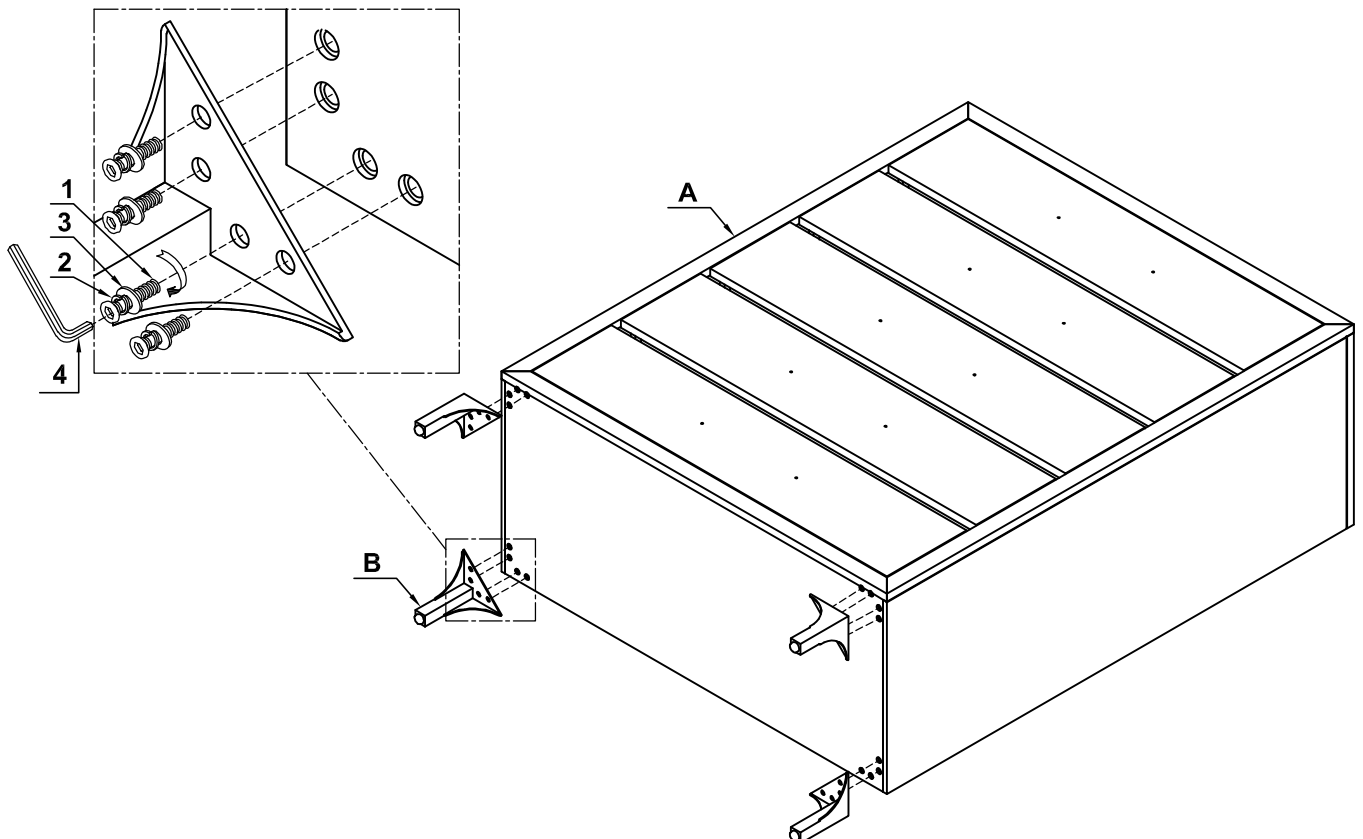


Not provided

ASSEMBLY COMPLETE



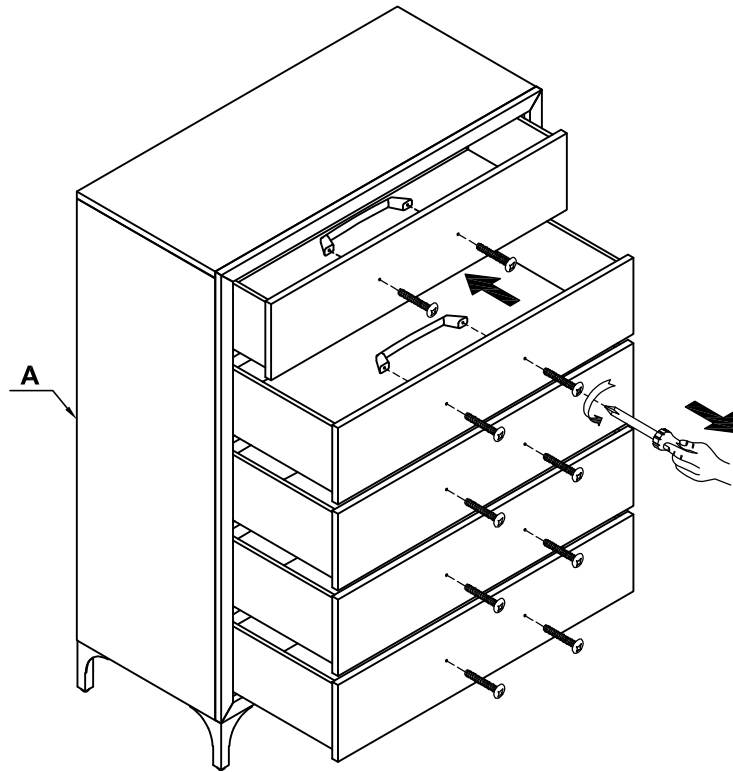
STEP 1:



LUCERNE CHEST ASSEMBLY INSTRUCTIONS



STEP 2:



STEP 3:

