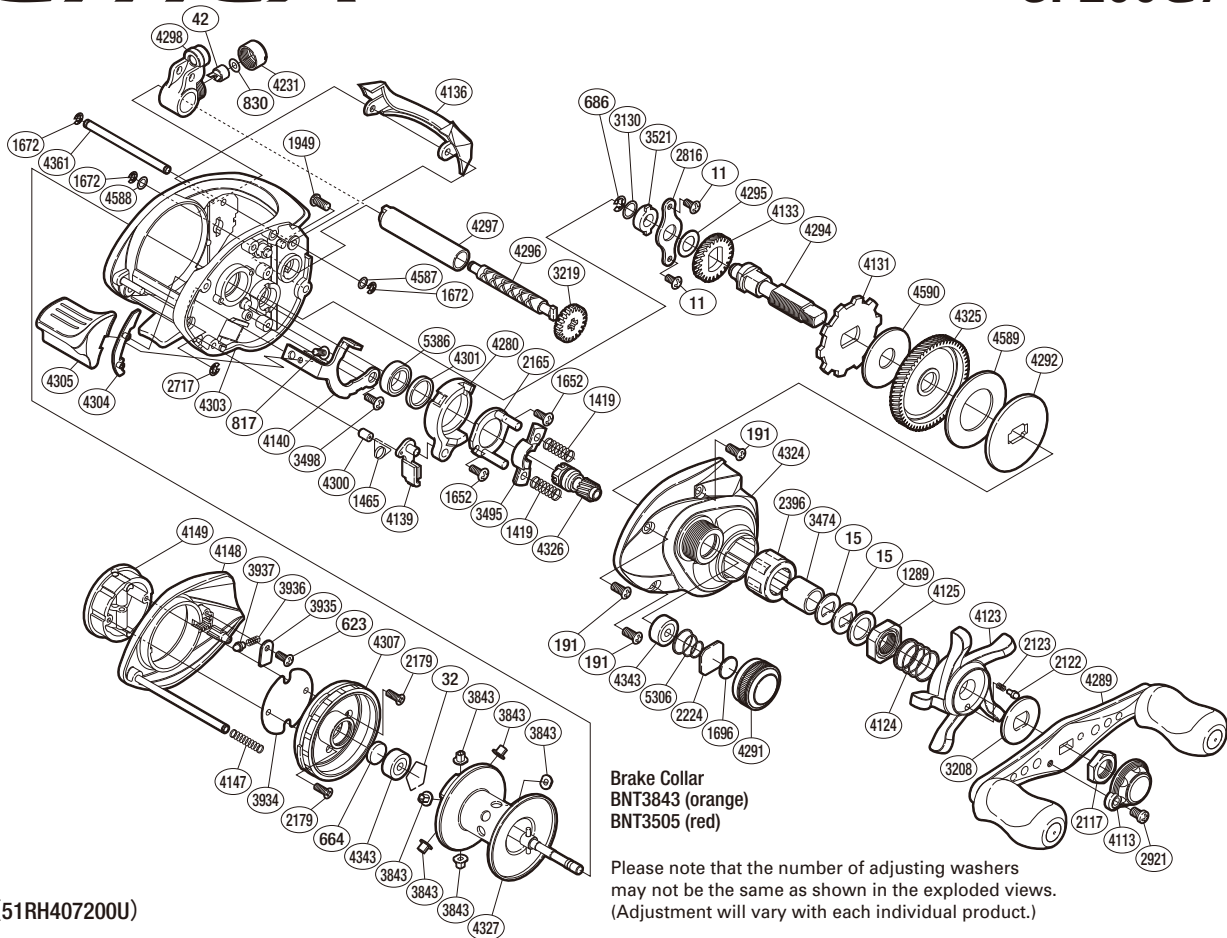


# SHIMANO

## CITICA

CI-200G7



(51RH407200U)

Part No.	Description	Part No.	Description	Part No.	Description
BNT0011	Screw	BNT3130	Washer	BNT4291	Cast Control Cap
BNT0015	Drag Spring Washer	BNT3208	Star Drag Click Plate	BNT4292	Key Washer
BNT0032	Bearing Retainer	BNT3219	Idle Gear	BNT4294	Drive Shaft
BNT0042	Line Guide Pawl	BNT3474	Roller Clutch Inner Tube	BNT4295	Washer
BNT0191	Screw	BNT3495	Yoke	BNT4296	Worm Shaft
BNT0623	Screw	BNT3498	Screw	BNT4297	Level Wind Guard
BNT0664	Spacer B	BNT3521	Drive Shaft Bushing	BNT4298	Line Guide
BNT0686	E Lock	BNT3843	Brake Collar (orange)	BNT4300	Retractor Spring Collar
BNT0817	Screw	BNT3934	Brake Case Spacer	BNT4301	Bearing Bushing
BNT0830	Spacer	BNT3935	Brake Spring Retainer	BNT4303	One-Piece Frame
BNT1289	Star Drag Spacer	BNT3936	Click Spring	BNT4304	Clutch Bar Guide
BNT1419	Yoke Spring	BNT3937	Click Pin	BNT4305	Quick-Fire II Clutch Bar
BNT1465	Clutch Pawl Spring	BNT4113	Handle Retainer	BNT4307	Brake Case
BNT1652	Screw	BNT4123	Star Drag	BNT4324	Right Side Plate
BNT1672	E Lock	BNT4124	Star Drag Spring	BNT4325	Drive Gear
BNT1696	Cast Control Spacer	BNT4125	Star Drag Nut	BNT4326	Pinion Gear
BNT1949	Screw	BNT4131	Anti-Reverse Ratchet	BNT4327	Spool Assembly
BNT2117	Handle Nut	BNT4133	Idle Gear	BNT4343	Ball Bearing
BNT2122	Click Pin	BNT4136	Level Wind Protector	BNT4361	Stabilizer Bar
BNT2123	Click Spring	BNT4139	Clutch Pawl	BNT4587	Washer
BNT2165	Clutch Cam Retainer	BNT4140	Clutch Plate	BNT4588	Washer
BNT2179	Screw	BNT4147	Damper Spring	BNT4589	Drag Washer
BNT2224	Spool Tension Spacer	BNT4148	Left Side Plate	BNT4590	Drag Washer
BNT2396	Roller Clutch Bearing	BNT4149	Turnkey Dial	BNT5306	Spool Tension Spring
BNT2717	E Lock	BNT4231	Pawl Cap	BNT5386	Ball Bearing
BNT2816	Drive Shaft Retainer	BNT4280	Clutch Cam		
BNT2921	Screw	BNT4289	Handle Assembly	BNT3505	Brake Collar (red) (accessory)

(160426)\_002