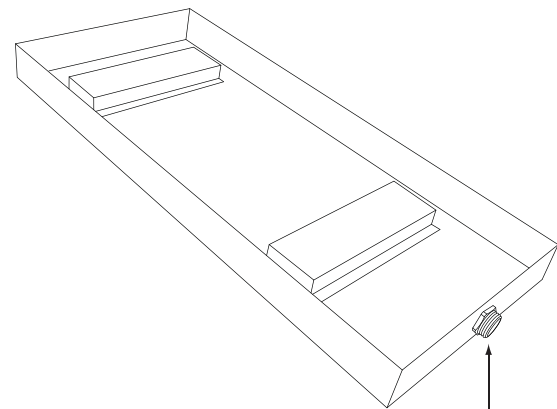


Drain Pan

Drain Pan Installation

1. Place the G-DPAN on a flat surface suitable for the Steam Generator (Pan dimensions 26" x 11" x 2"H)
2. The drain pipe must be piped in a manner as to not obstruct the flow of water draining out of the pan.
3. The drain pan pipe must terminate over a suitable waste receptor or extended outside the building in an observable location. The termination point must be at least 6", but not more than 24" above ground level.
4. The plumbing installation must conform to all local and national codes.
5. The drain line must be run in a continuous downward slope to achieve adequate drainage. Termination of the drain line must allow complete drainage at all times, and not be affected by freezing temperatures.
6. See separate plumbing and auto drain installation manuals for complete connection details.

Drain Pan



3/4" Male Threaded NPT

Typical Installation

