



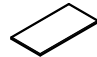



ASSEMBLY INSTRUCTION

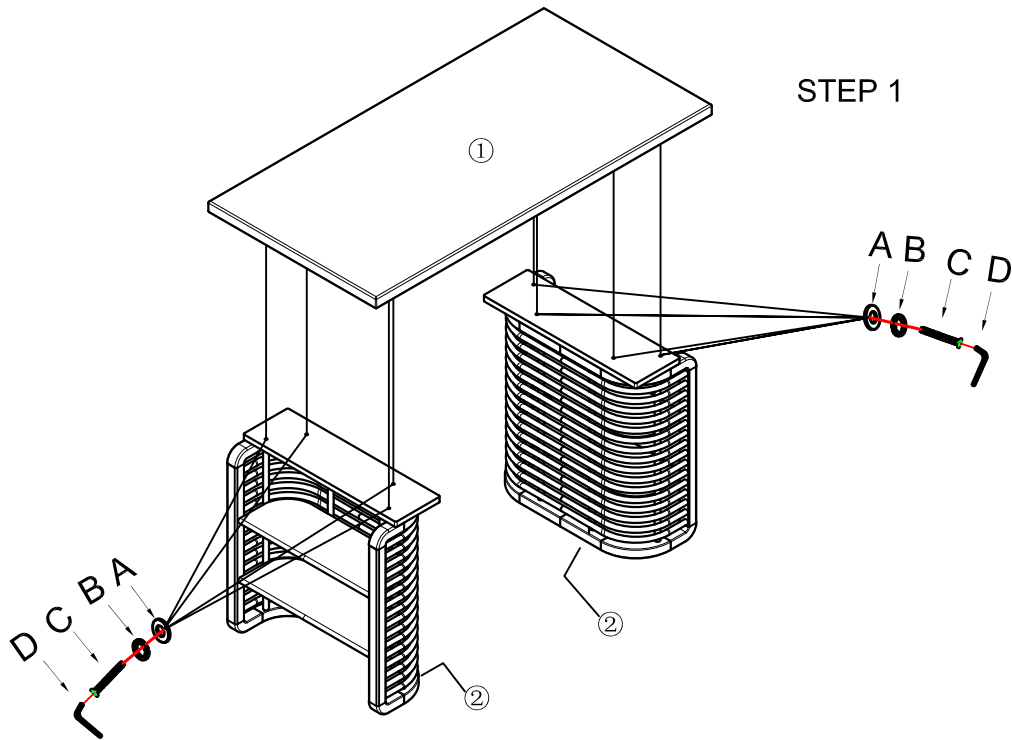
ITEM: 6015-10458-02 Writing Desk
6015-10458-80 Writing Desk
6015-10458-89 Writing Desk

Thank you for purchasing this quality product. Be sure to unpack carefully looking for small parts which may have come loose during shipment.

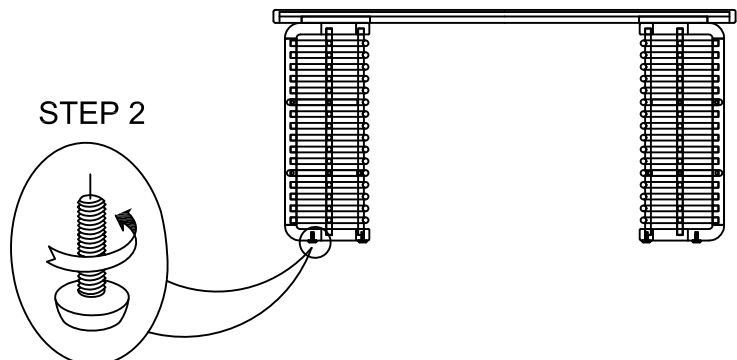
Read all instruction and study the drawing carefully before starting the assembly process.

HARDWARE PACK

NO.	DRAWING	DESCRIPTION	SIZE	Q'TY	PARTS LIST			
A		Flat Washer	Ø5/16"	8PCS	NO.	DRAWING	DESCRIPTION	Q'TY
B		Lock Washer	Ø5/16"	8PCS	1		Stone Top	1PC
C		Bolt	Ø5/16"	8PCS	2		Base	2PCS
D		Allen Wrench	73*29*5mm	1PC				



Adjust Leveler if needed to level desk on uneven floor.



Note: Anti-tip kit restraint is provided. Please follow the instructions enclosed with the pack.