

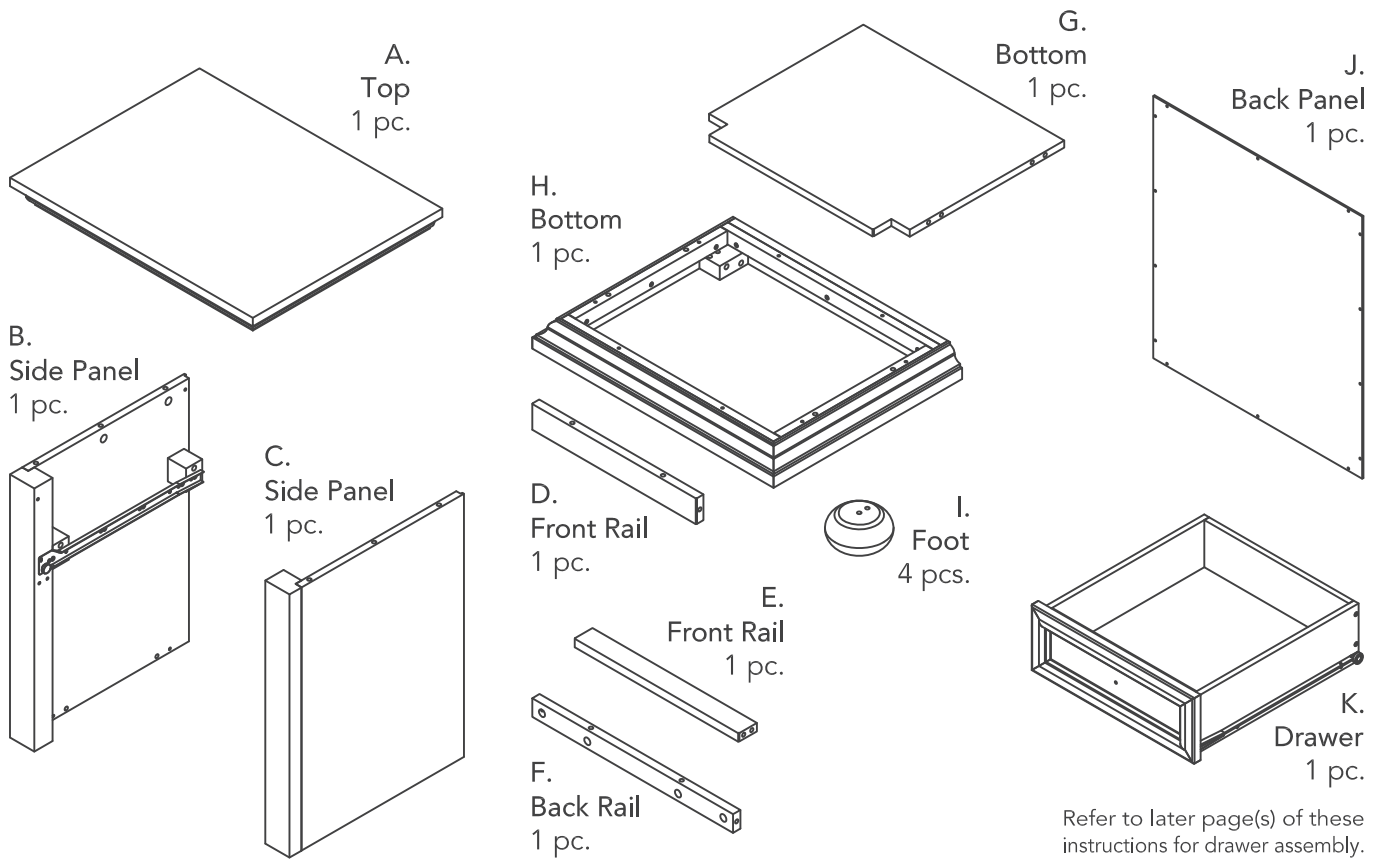
**IMPORTANT**

Carefully remove all the parts from the carton and place them individually on a soft cloth to prevent scratches or other damage.

Carefully and strictly follow these assembly instructions to ensure a completed product as designed.

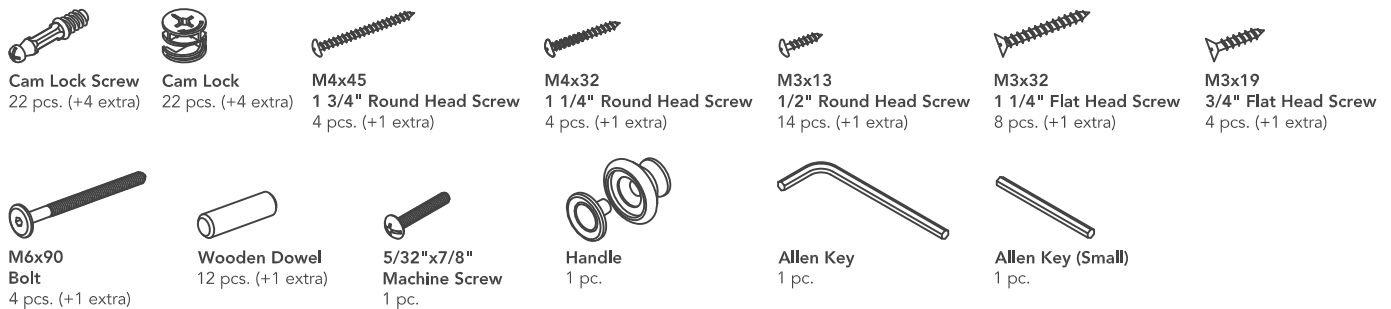
Do not use power tools above 8 volts to assemble.

**Part List**



Refer to later page(s) of these instructions for drawer assembly.

**Hardware List**



Tool(s) required for assembly: Phillips screwdriver, Level

Home Styles Customer Service: [www.homestyles-furniture.com](http://www.homestyles-furniture.com),  
servicedesk@homestyles-furniture.com, 888-680-7460, 877-831-0319

# Assembly Instructions 2/8

## IMPORTANT

- Use a soft cloth between these parts and the floor.
- Do not use power tools above 8 volts to assemble.
- Do not tighten all the screws until each part is properly assembled.
- The unit must be level to work properly. Use the included adjustable levelers to level.
- Keep Allen Key in a safe place as the Bolts may need to be tightened up in the future.

## STEP 1

Insert Cam Lock Screws into the pre-drilled holes of Top (A), Side Panels (B) and (C).

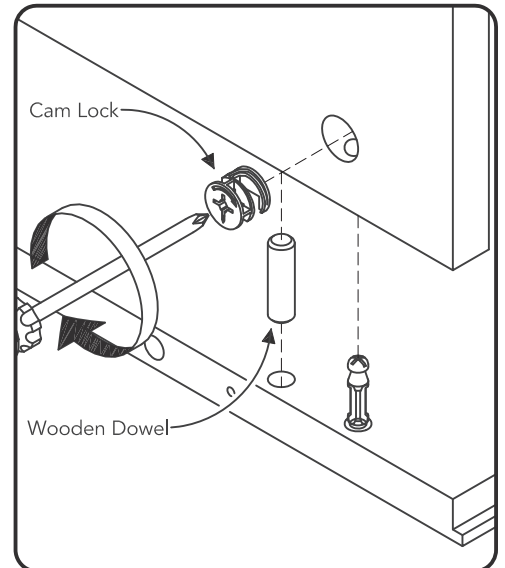
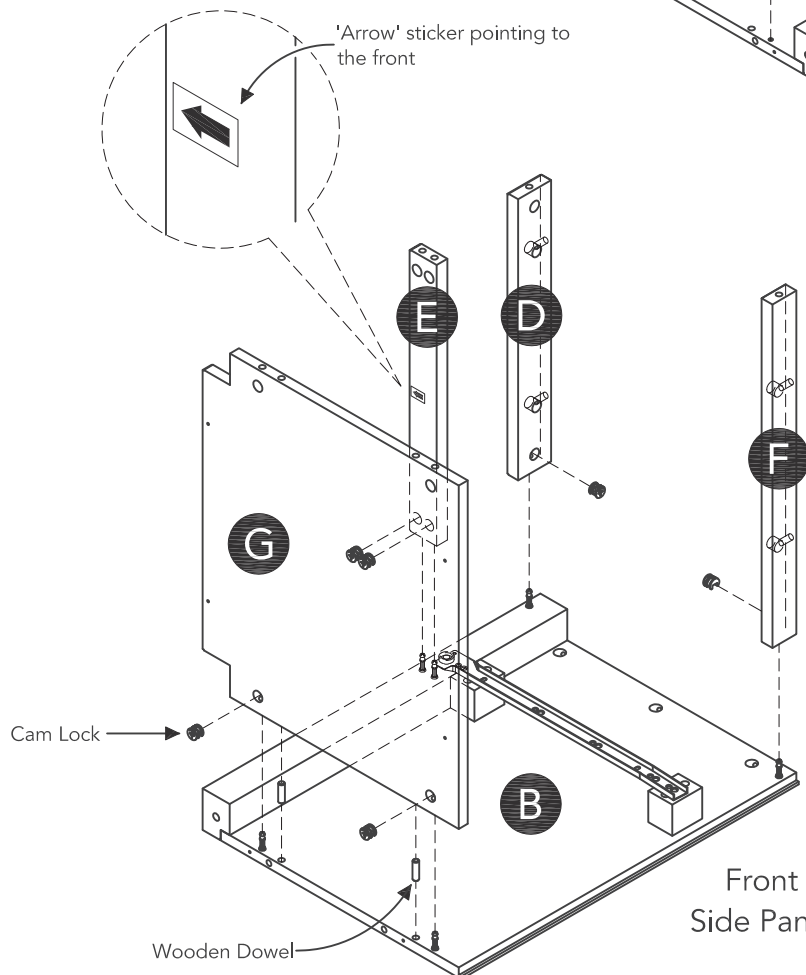
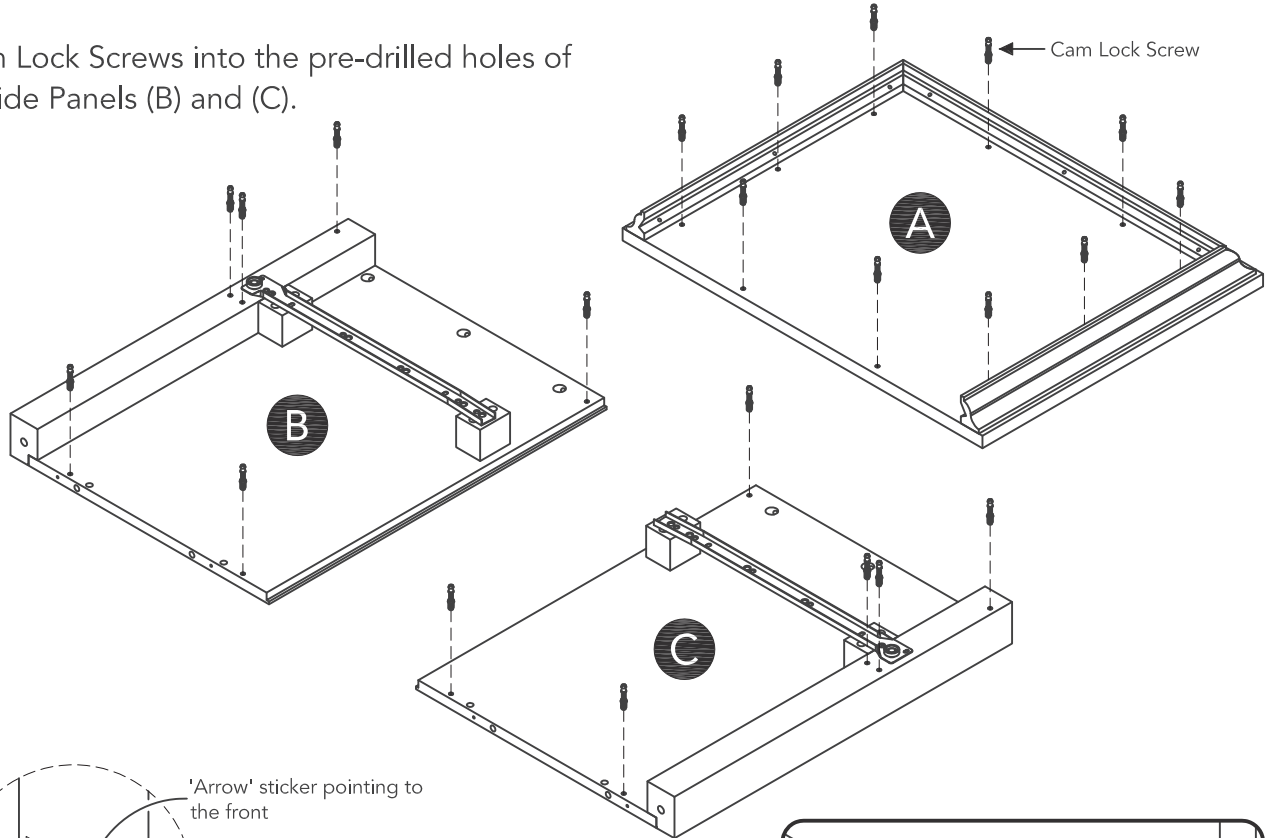


Figure 1

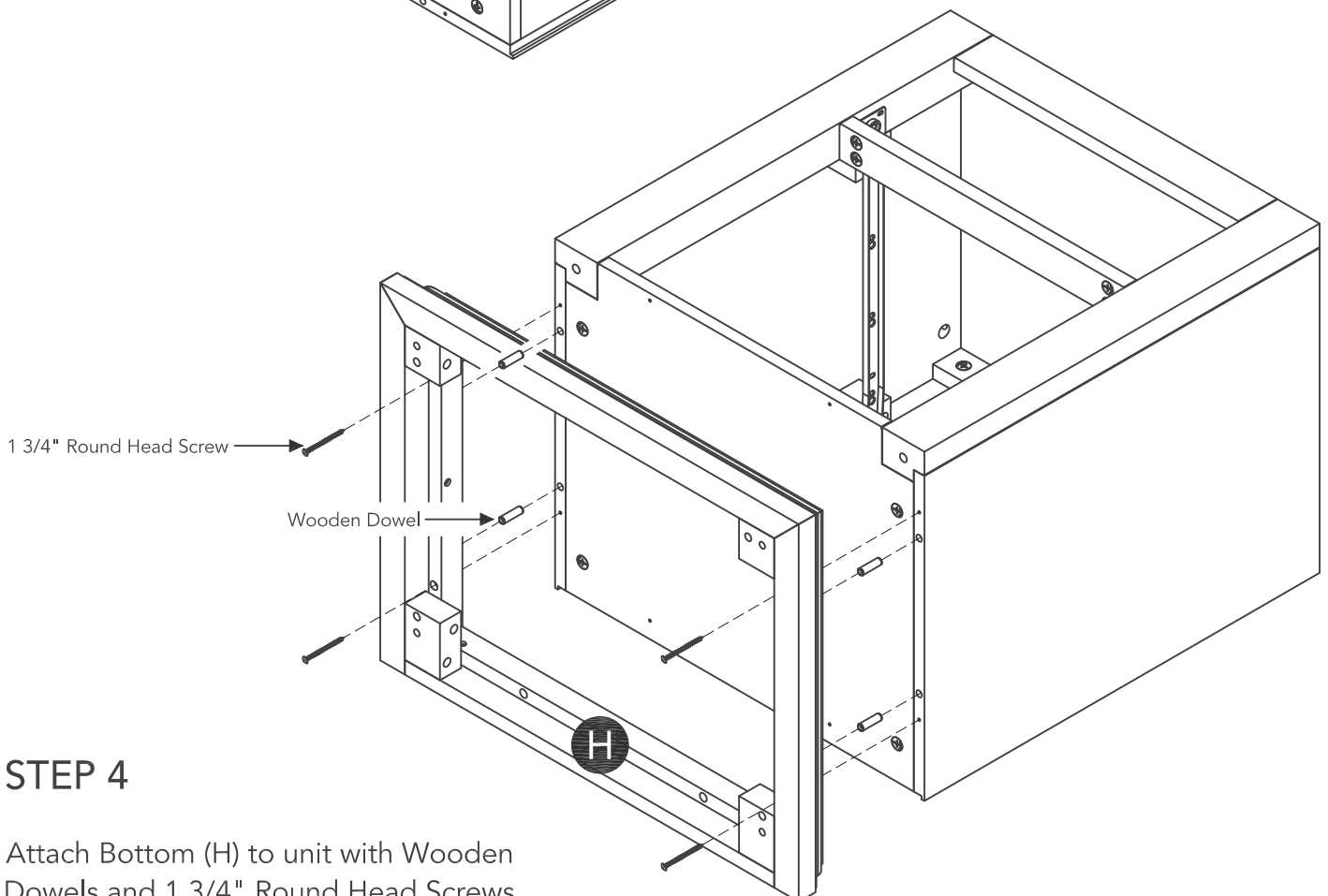
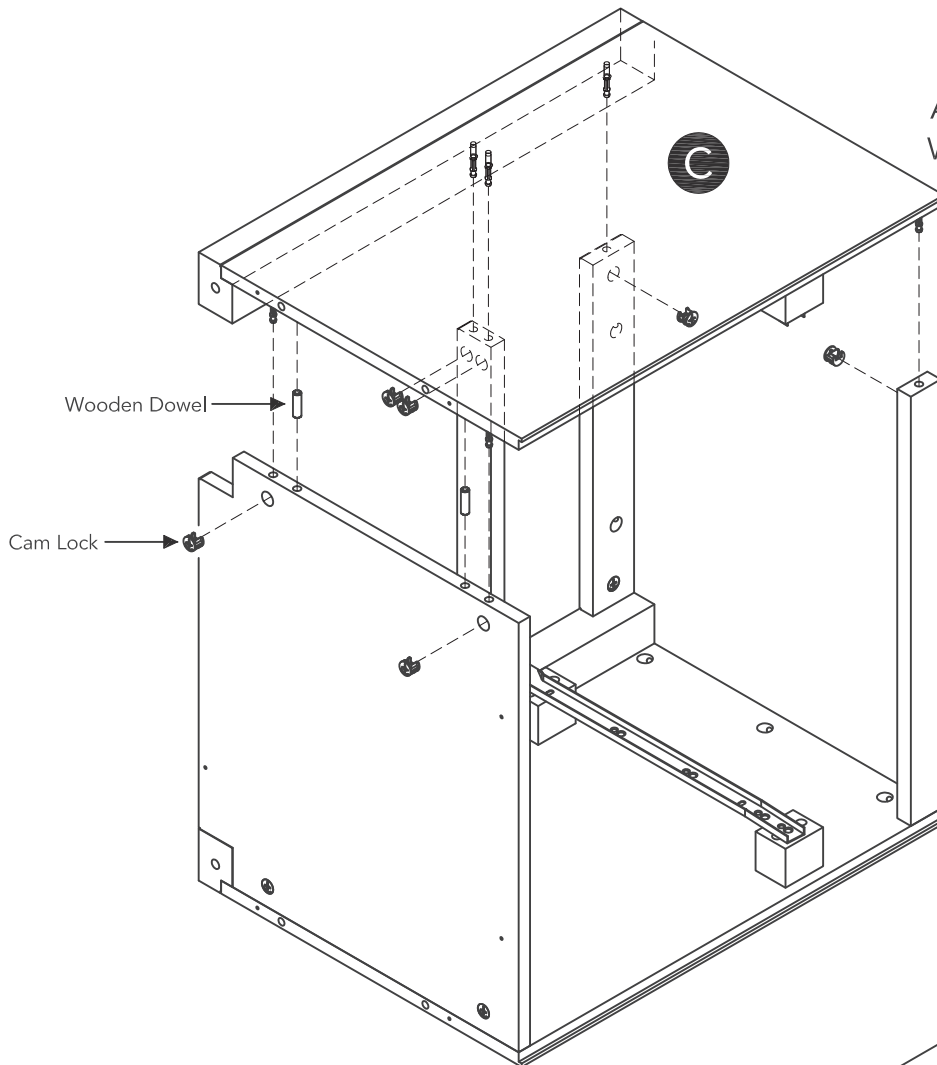
## STEP 2

Orientate Front Rail (E) with 'Arrow' sticker pointing to the front, then attach Front Rails (D), (E), Back Rail (F) and Bottom (G) to Side Panel (B) with Wooden Dowels and Cam Locks. (See Figure 1)

# Assembly Instructions 3/8

## STEP 3

Attach Side Panel (C) to unit with Wooden Dowels and Cam Locks.



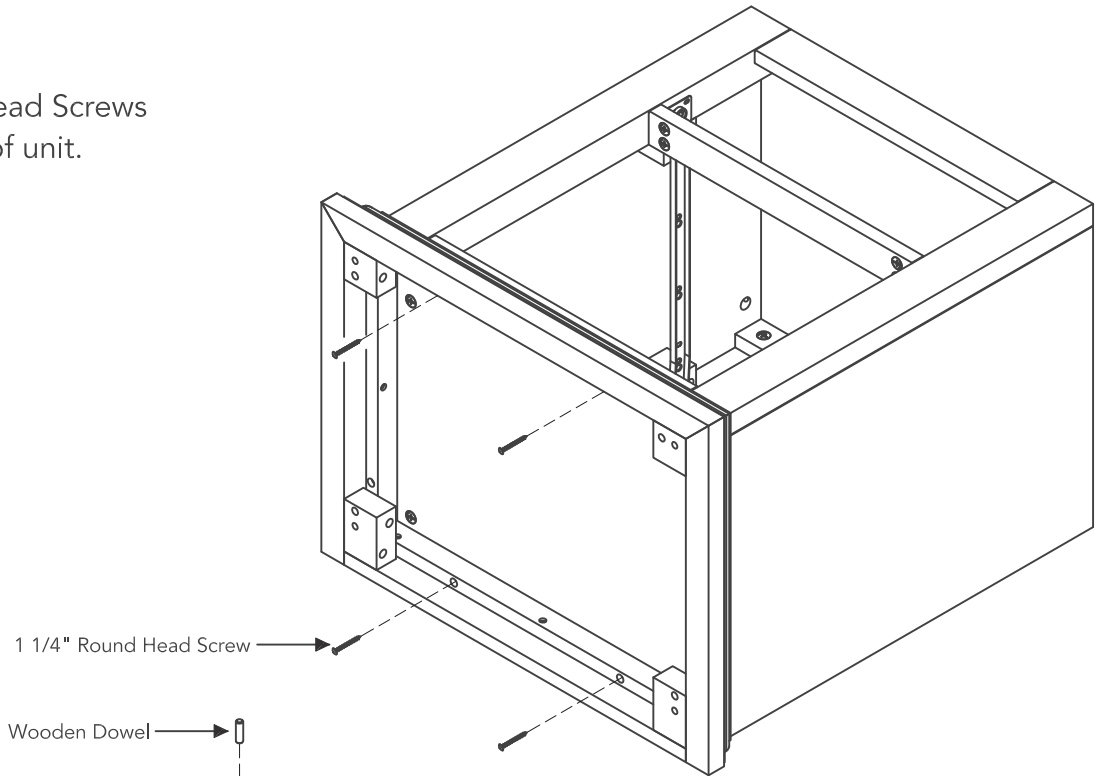
## STEP 4

Attach Bottom (H) to unit with Wooden Dowels and 1 3/4" Round Head Screws.

# Assembly Instructions 4/8

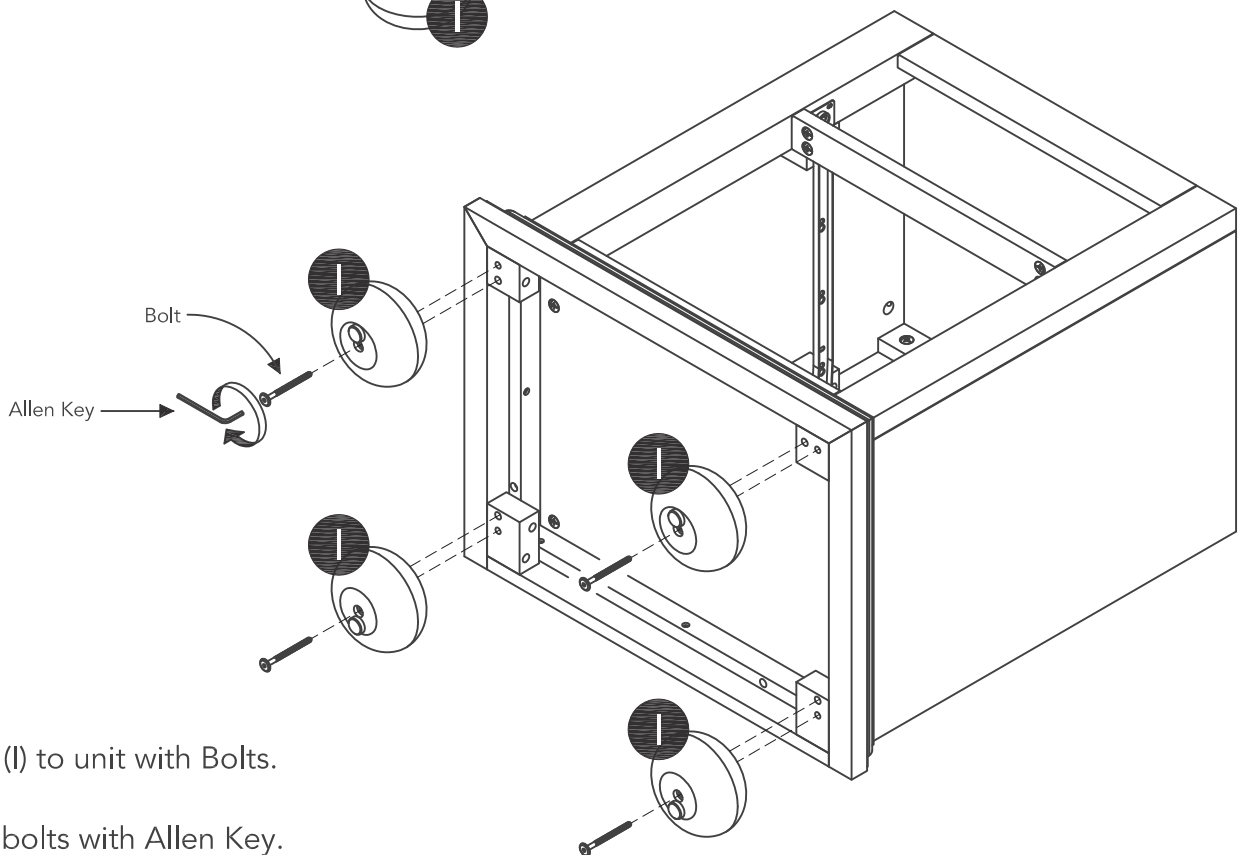
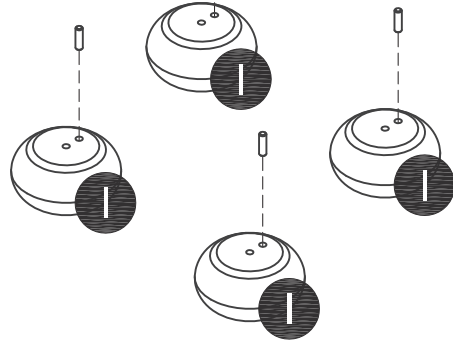
## STEP 5

Insert 1 1/4" Round Head Screws into pre-drilled holes of unit.



## STEP 6

Attach Wooden Dowels to Feet (I).



## STEP 7

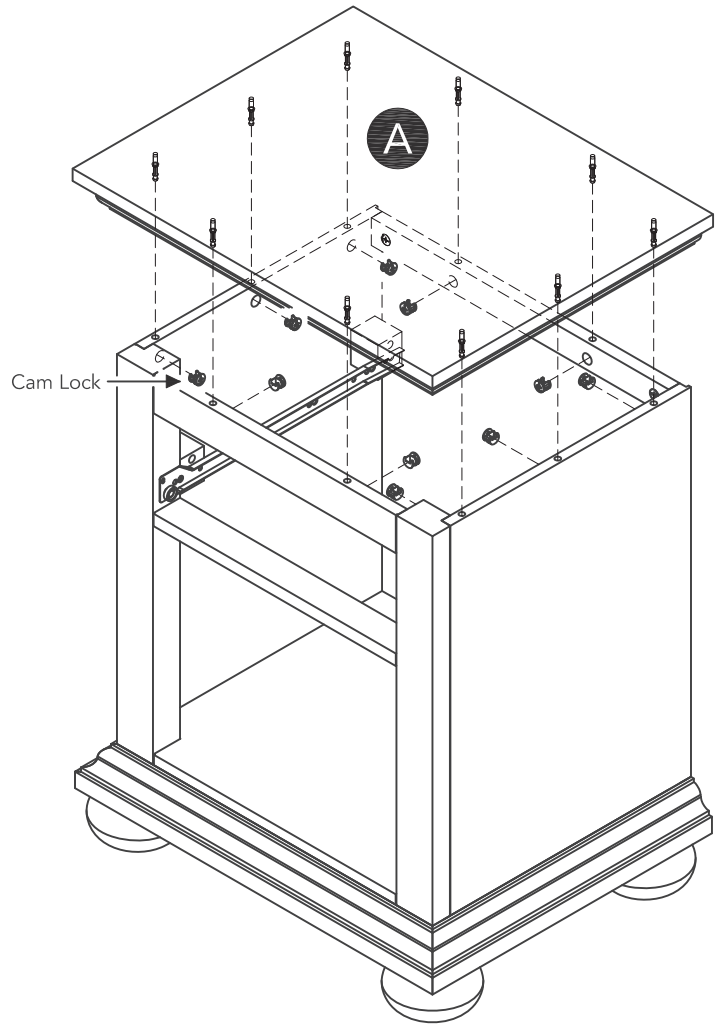
Attach Feet (I) to unit with Bolts.

Tighten the bolts with Allen Key.

# Assembly Instructions 5/8

## STEP 8

Attach Top (A) to unit with Cam Locks.



## STEP 9

To level unit, adjust the adjustable levelers on the bottom of feet.  
(See Figure 2)

Note: Unit must be level to work properly.

Attach Back Panel (J) to unit with  
1/2" Round Head Screws.

1/2" Round Head Screw

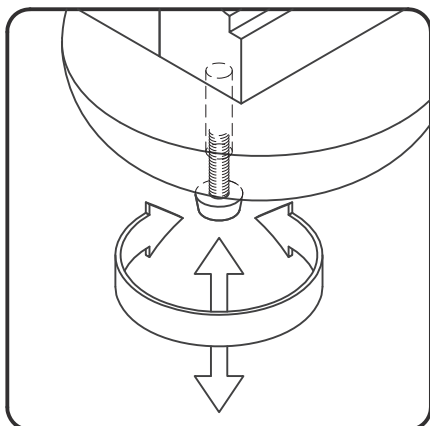
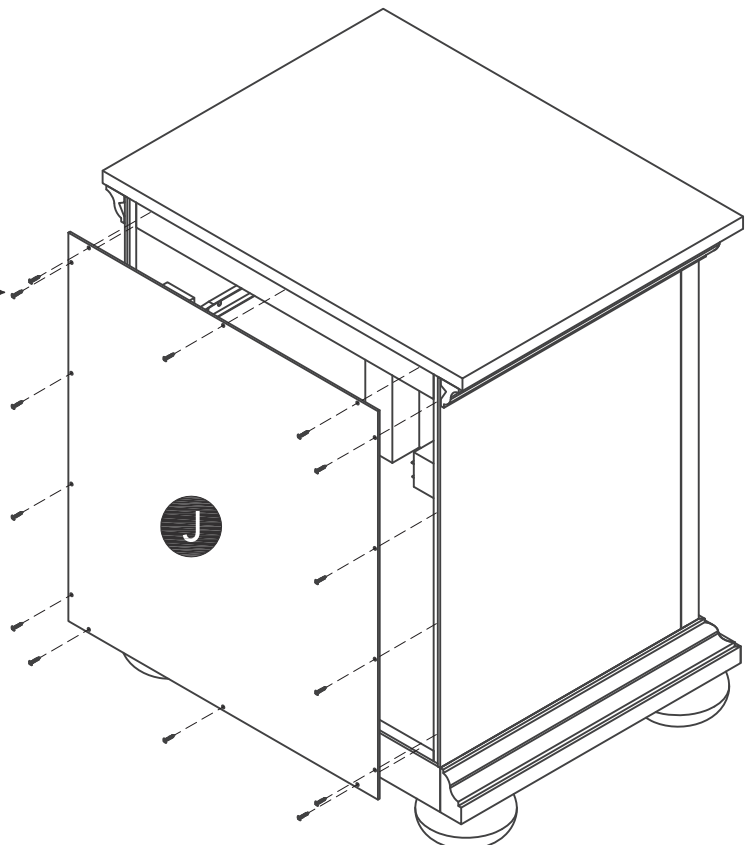
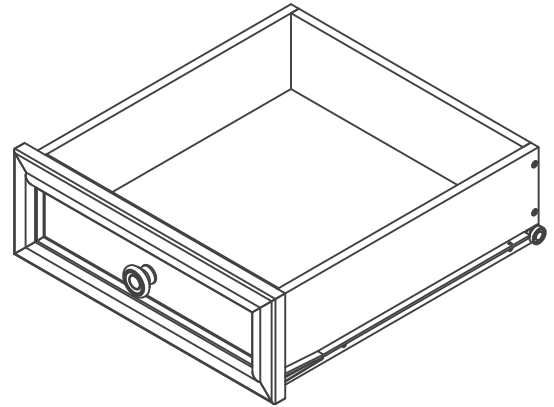
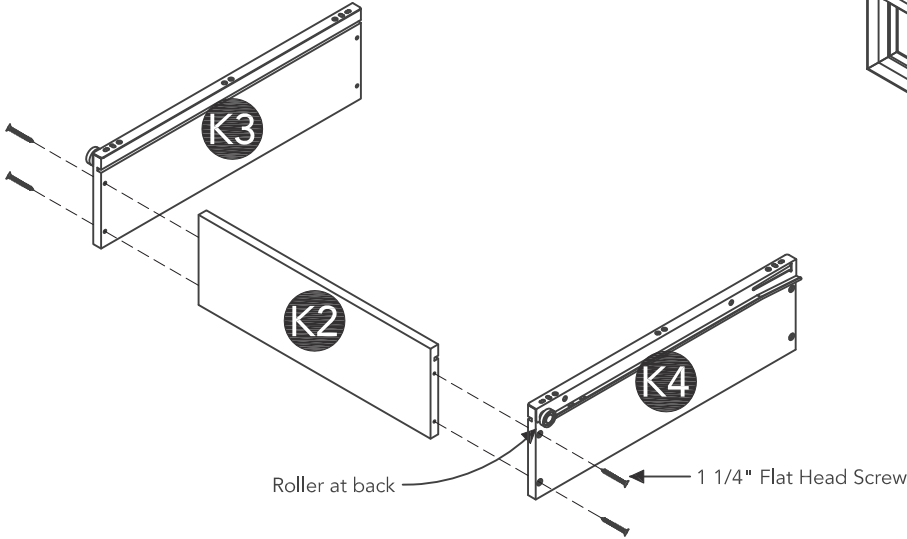


Figure 2



# Drawer (K)



## STEP 10

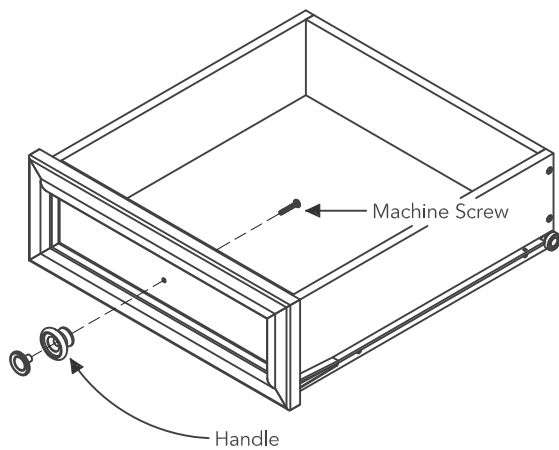
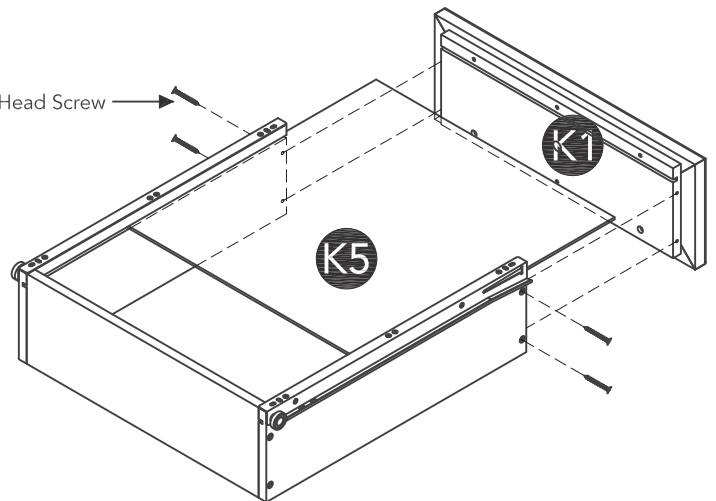
Attach Drawer Sides (K3) and (K4) to Drawer Back (K2) with 1 1/4" Flat Head Screws.

## STEP 11

Insert Drawer Bottom (K5) into the groove.

Attach Drawer Front (K1) to unit with 1 1/4" Flat Head Screws.

1 1/4" Flat Head Screw

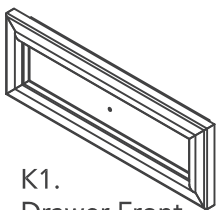


## STEP 12

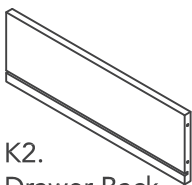
Attach Handle with Machine Screw.

Note: Drawer assembly is not complete until 3/4" Flat Head Screws are used in a later step.

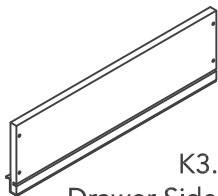
### Part List



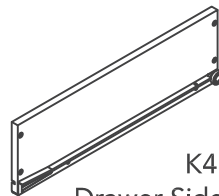
K1.  
Drawer Front  
1 pc.



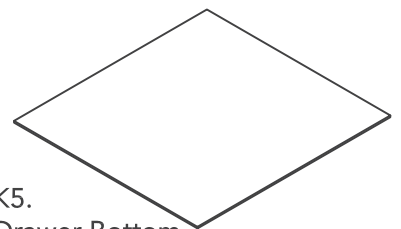
K2.  
Drawer Back  
1 pc.



K3.  
Drawer Side  
1 pc.



K4.  
Drawer Side  
1 pc.

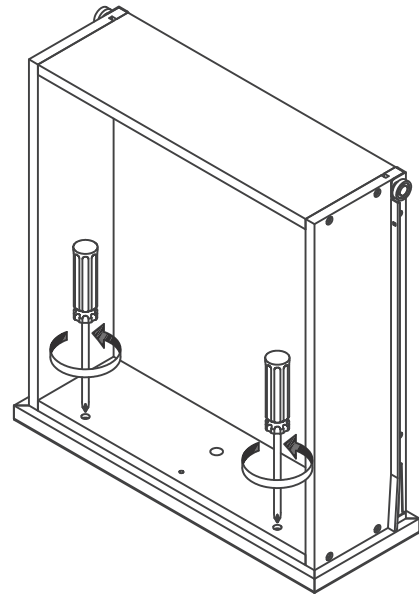
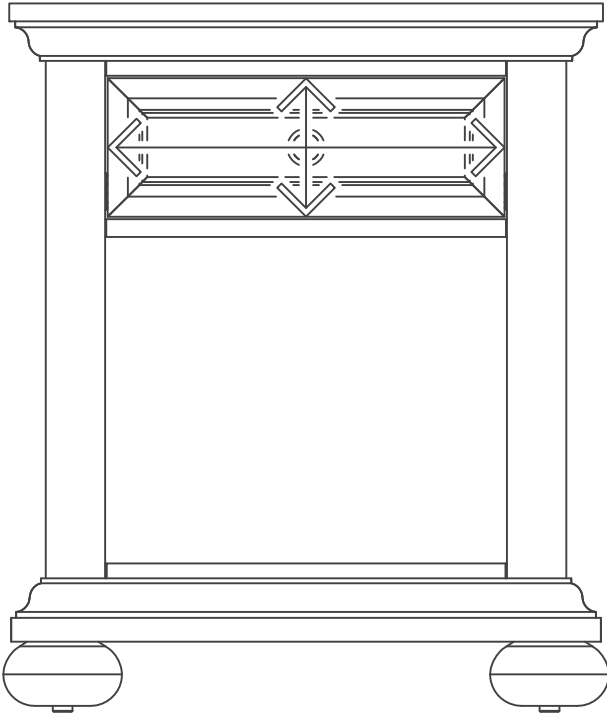


K5.  
Drawer Bottom  
1 pc.

## Assembly Instructions 7/8

### STEP 13

Loosen slightly the screws pre-installed on the back of the drawer front.



### STEP 14

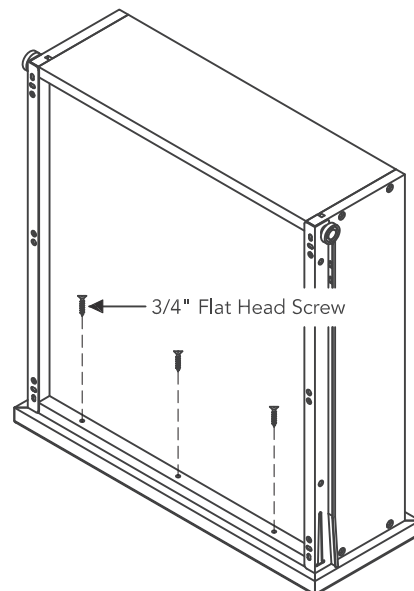
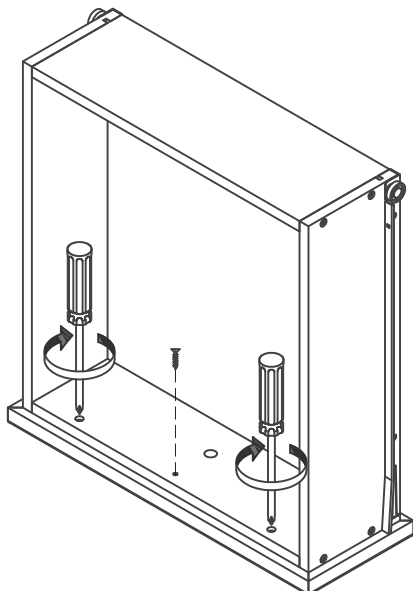
Insert the drawer into the unit, then adjust the drawer front panel left or right and up or down until the drawer gaps look proportional.

### STEP 15

Pull the drawer open slowly and re-tighten the screws from Step 13.

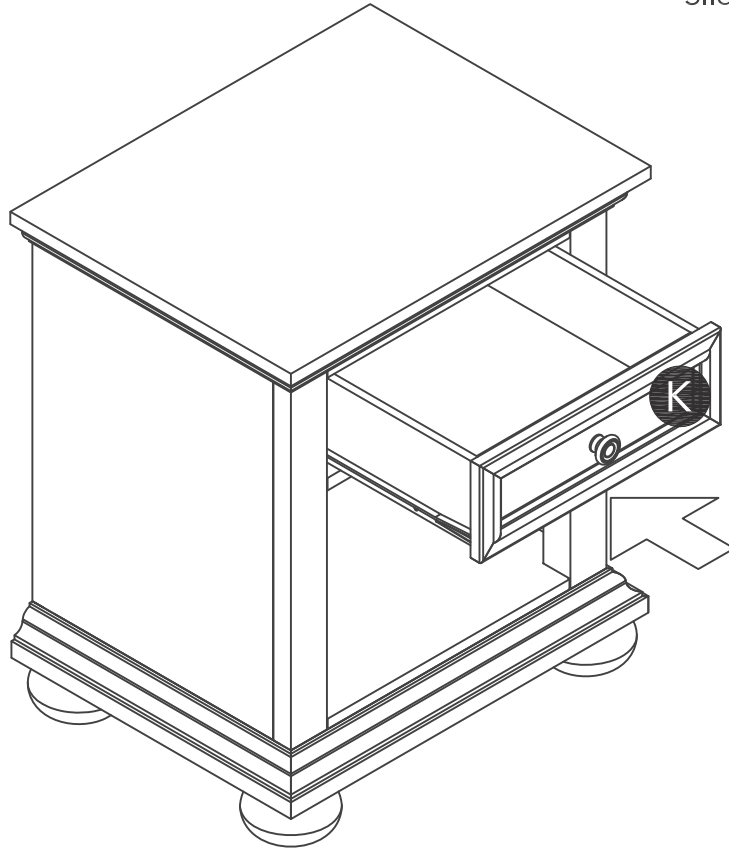
Make sure the front panel does not move and lock the drawer front panel into position with 3/4" Flat Head Screws.

Note: These 3/4" Flat Head Screws must be installed to complete the drawer assembly.



STEP 16

Slide Drawer (K) into place.





# CARE INSTRUCTIONS

## NEVER

allow liquids to remain on furniture.  
Absorption causes parts to warp  
and split and finishes to delaminate.

## NEVER

use glass cleaners on  
finished furniture. Ammonia  
chemically attacks the finish.



Do not use power tools  
above 8 volts to assemble.

**PREVENT  
CRACKING**



Do not place  
in direct sunlight.

**PREVENT  
FADING**



Do not write  
directly on surface.

**PREVENT  
MARKING**



Do not place hot  
objects on surface.

**PREVENT  
FINISH DAMAGE**



Do not use rubber  
based placemats.

**PREVENT  
DISCOLORING**



Do not use commercial  
waxes and polishes.

**PREVENT  
YELLOWING**

## CLEAN

with a soft cloth moistened  
in lukewarm soap and water.  
Buff with a dry clean cloth.



Home Styles will provide replacements free of charge for missing or damaged hardware or parts within 30 days of purchase. Digital images of the defective parts may be required. If the product was not purchased from an authorized retail affiliate, Home Styles is under no obligation to provide replacement parts. Parts are not available for fully assembled items nor are parts available for sale. Replacements for missing or damaged hardware or parts may be requested at:

[www.homestyles-furniture.com/customer-service/replacement-parts](http://www.homestyles-furniture.com/customer-service/replacement-parts)

Home Styles Customer Service: [www.homestyles-furniture.com](http://www.homestyles-furniture.com),  
[servicedesk@homestyles-furniture.com](mailto:servicedesk@homestyles-furniture.com), 888-680-7460, 877-831-0319