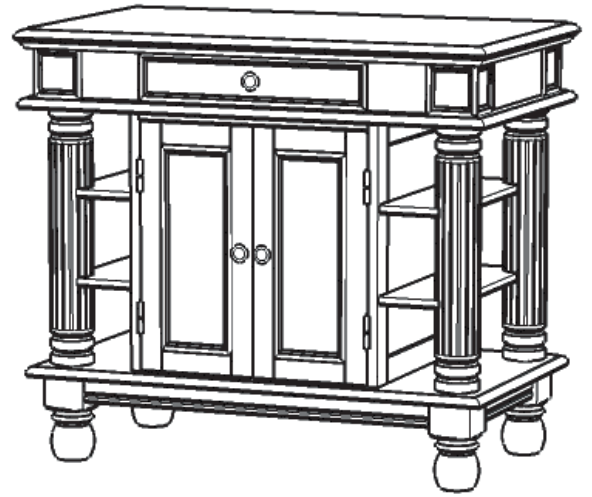


homestyles®

88 5092 942

Kitchen Island



IMPORTANT

Carefully remove all the parts from the carton and place them individually on a soft cloth to prevent scratches or other damage.

Carefully and strictly follow these assembly instructions to ensure a completed product as designed.

Do not use power tools above 8 volts to assemble.

Part List



B.
Rail
2 pcs.



C.
Side Panel
2 pcs.



D.
Leg
2 pcs.



E.
Leg
2 pcs.



G.
Shelf
4 pcs.



J.
Shelf
1 pc.

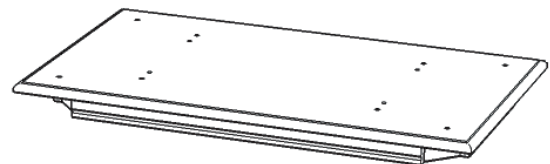


H.
Door
2 pcs.

I.
Door
2 pcs.



L.
Stretcher
2 pcs.



K.
Base
1 pc.

Carton 88 5092 941 is also needed for assembly.

Tool(s) required for assembly: Phillips screwdriver, Level

Home Styles Customer Service: www.homestyles-furniture.com,
servicedesk@homestyles-furniture.com, 888-680-7460, 877-831-0319

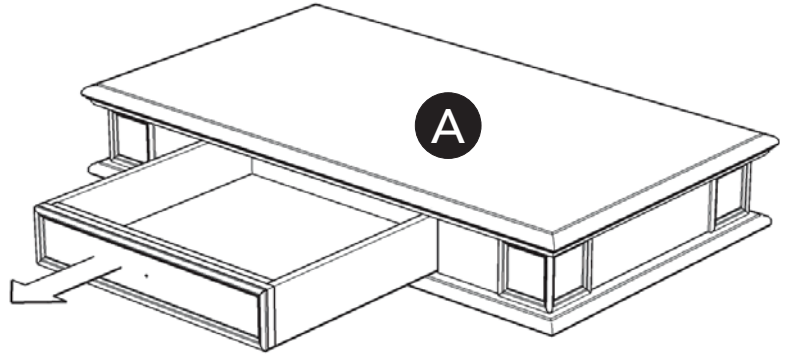
Assembly Instructions 2/4

IMPORTANT

- Use a soft cloth between these parts and the floor.
- Do not use power tools above 8 volts to assemble.
- Do not tighten all the bolts until each part is properly assembled.
- The unit must be level to work properly. Use the included adjustable levelers to level.
- Keep Hex Wrench in a safe place as the bolts may need to be tightened up in the future.

STEP 1

Remove the Drawer from Top (A).



STEP 2

Insert Cam Lock Screws into the pre-drilled holes of Side Panels (C). (See Figure 1)

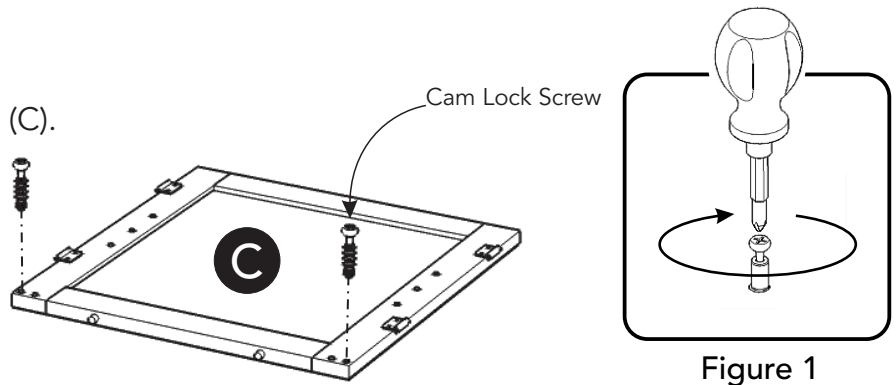
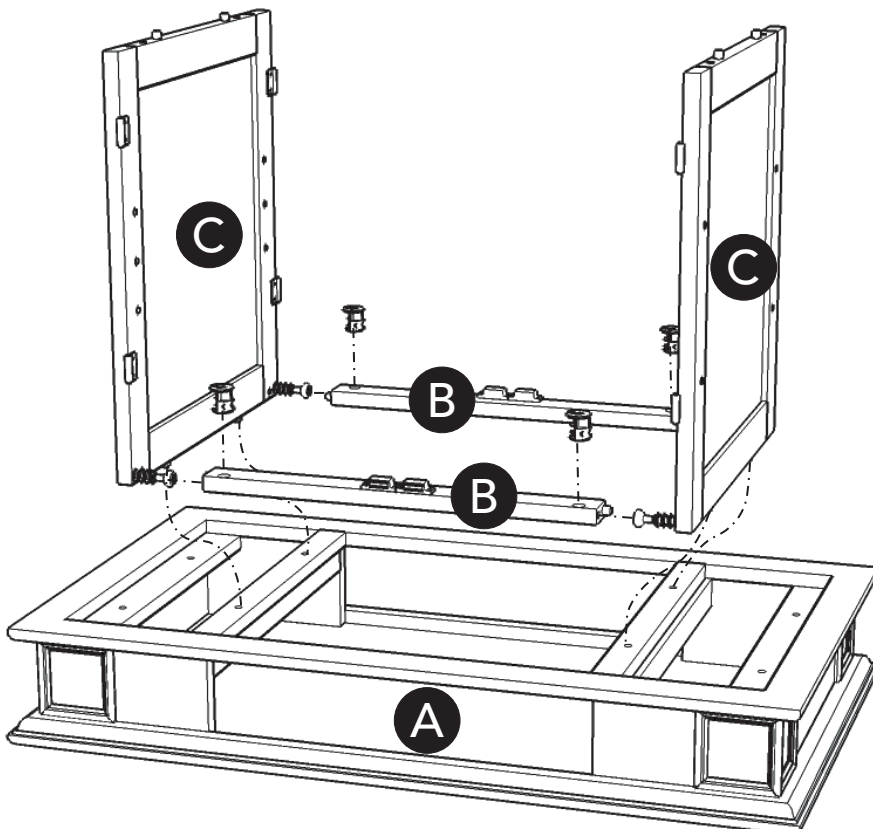


Figure 1



STEP 3

Place Top (A) upside down on a soft cloth.

Assemble Side Panels (C) and Rail (B) with Cam Locks. (See Figure 2)

Place unit onto Top (A).

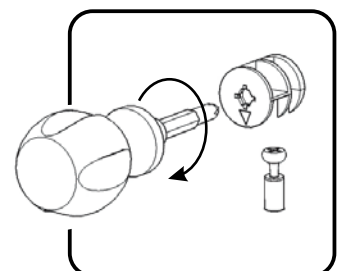
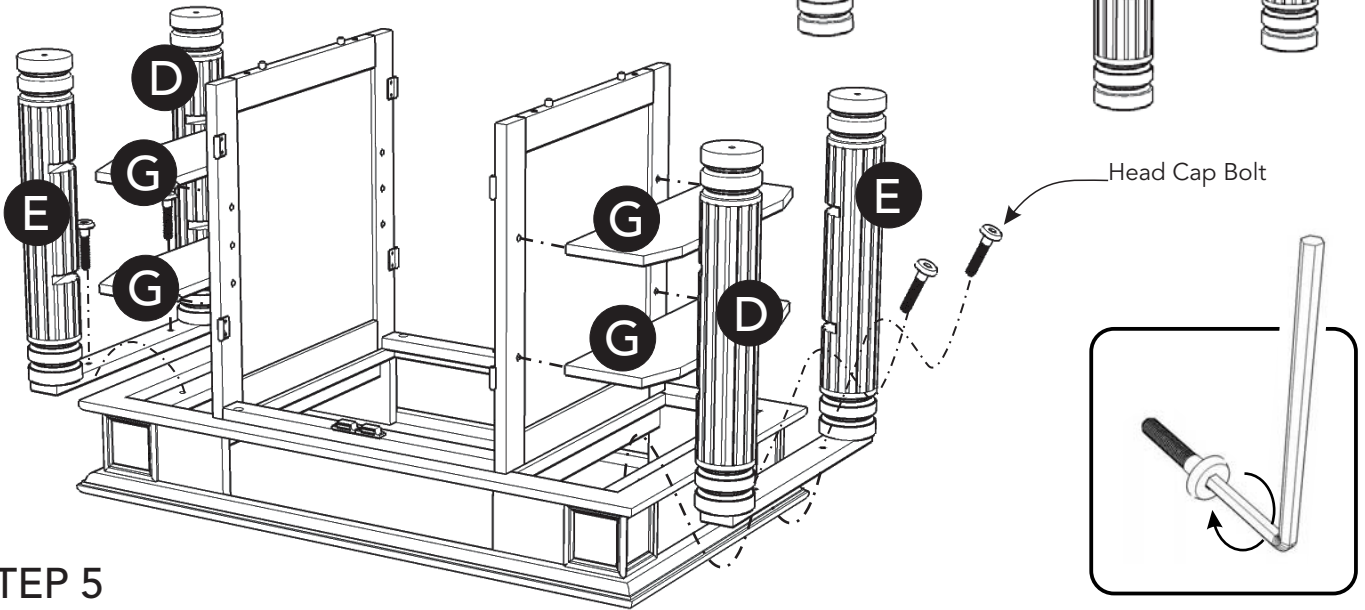
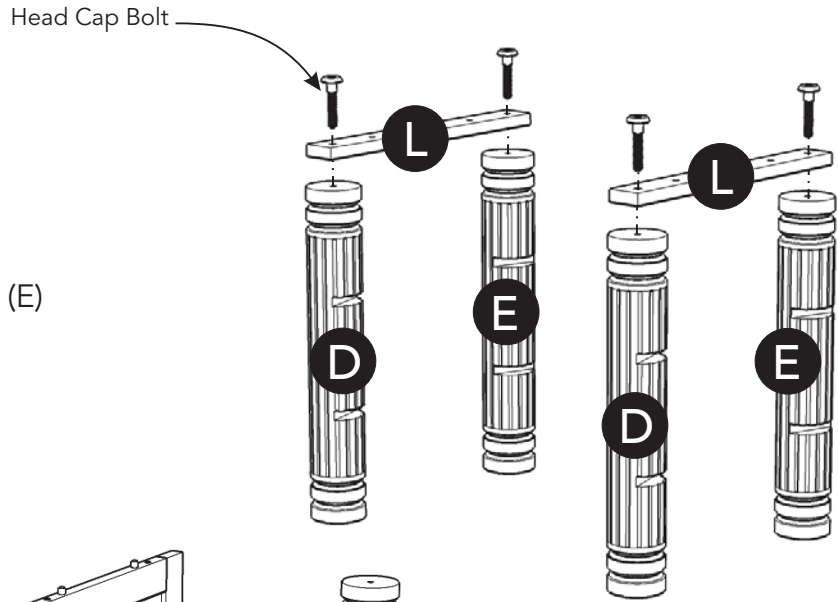


Figure 2

Assembly Instructions 3/4

STEP 4

Attach Stretchers (L) to Legs (D) and (E) with Head Cap Bolts. (See Figure 3)



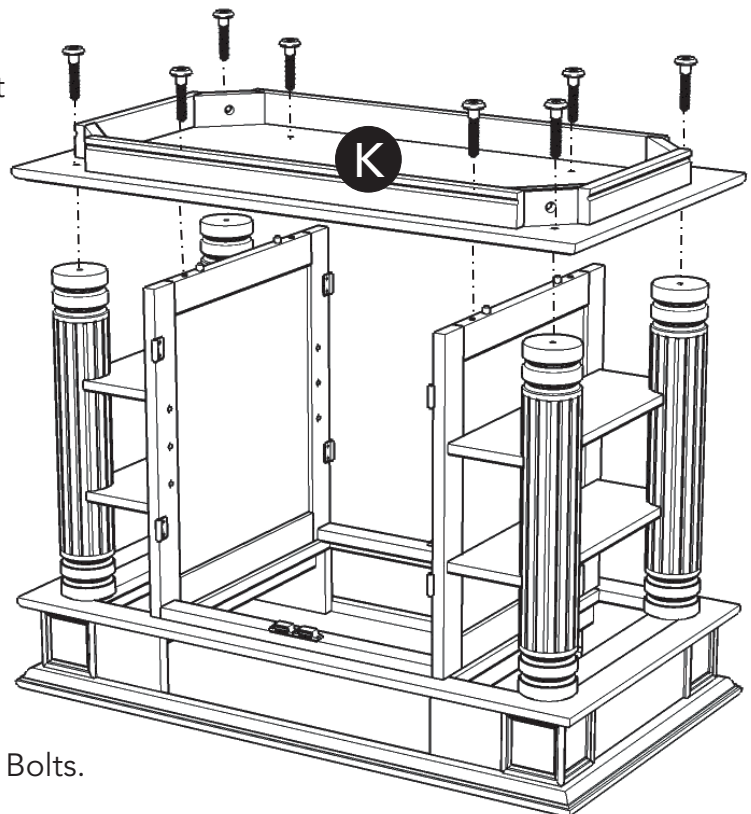
STEP 5

Attach Shelves (G) to unit at the pre-drilled holes of side panels, then attach the assembled legs to unit with Head Cap Bolts.

Figure 3

STEP 6

Attach Base (K) to unit with Head Cap Bolts.



Assembly Instructions 4/4

STEP 7

Attach Feet (F) to Base (K) with Flat Washers, Spring Washers and Head Cap Bolts. (See Figure 4)

Head Cap Bolt
Spring Washer
Flat Washer

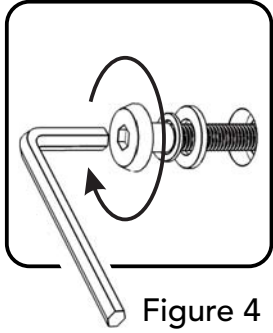


Figure 4

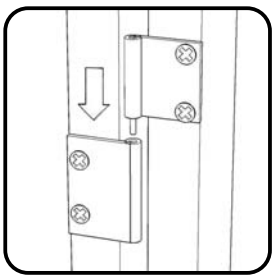


Figure 5

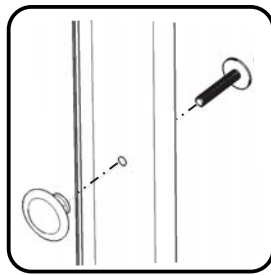
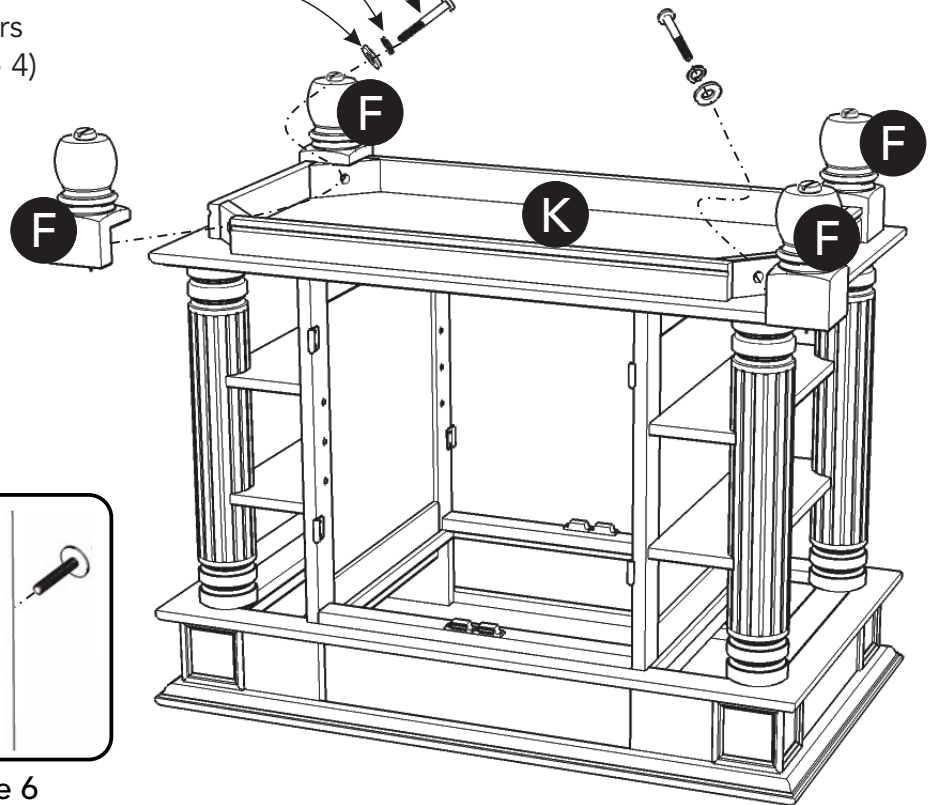


Figure 6



STEP 8

Attach Doors (H) and (I) by sliding the door lift hinges into the side panel lift hinges. (See Figure 5)

Attach Pull Handles to Doors (H), (I) and Drawer with Machine Screws. (See Figure 6)

Slide Drawer into place.

Insert Adjustable Pins into side panels at the desired level.

Place Shelf (J) into position.

To level the unit, adjust the adjustable levelers on the bottom of legs. (See Figure 7)

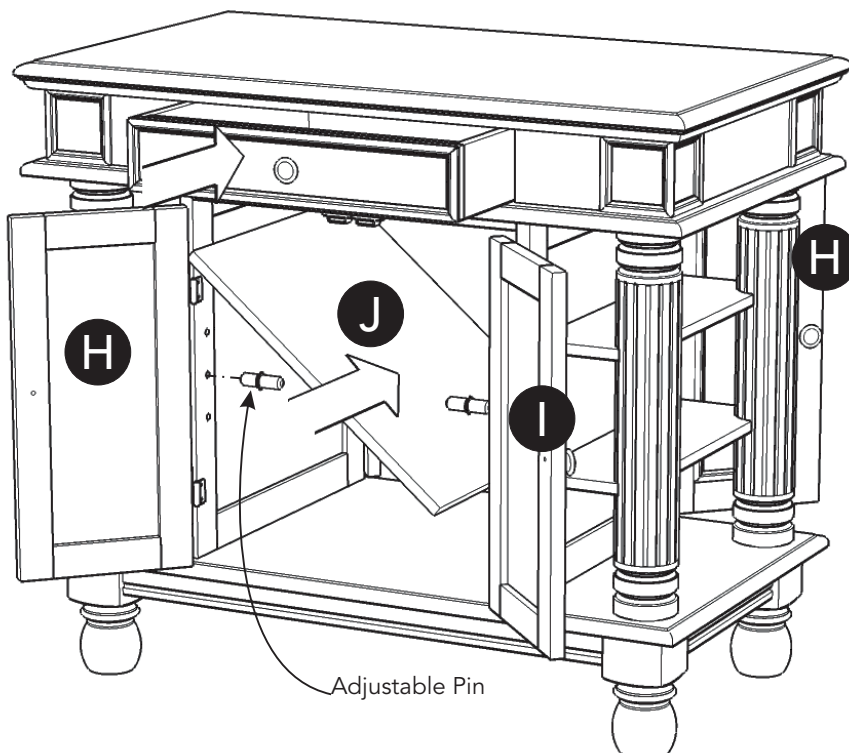


Figure 7

CARE INSTRUCTIONS

NEVER

allow liquids to remain on furniture.
Absorption causes parts to warp
and split and finishes to delaminate.

NEVER

use glass cleaners on
finished furniture. Ammonia
chemically attacks the finish.



Do not use power tools
above 8 volts to assemble.
**PREVENT
CRACKING**



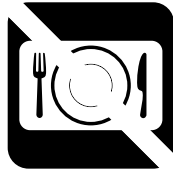
Do not place
in direct sunlight.
**PREVENT
FADING**



Do not write
directly on surface.
**PREVENT
MARKING**



Do not place hot
objects on surface.
**PREVENT
FINISH DAMAGE**



Do not use rubber
based placemats.
**PREVENT
DISCOLORING**



Do not use commercial
waxes and polishes.
**PREVENT
YELLOWING**

CLEAN

with a soft cloth moistened
in lukewarm soap and water.
Buff with a dry clean cloth.



Home Styles will provide replacements free of charge for missing or damaged hardware or parts within 30 days of purchase. Digital images of the defective parts may be required. If the product was not purchased from an authorized retail affiliate, Home Styles is under no obligation to provide replacement parts. Parts are not available for fully assembled items nor are parts available for sale. Replacements for missing or damaged hardware or parts may be requested at:

www.homestyles-furniture.com/customer-service/replacement-parts

Home Styles Customer Service: www.homestyles-furniture.com,
servicedesk@homestyles-furniture.com, 888-680-7460, 877-831-0319