



INFRARED SAUNA USER GUIDE

MODELS

SC-SS0013-GS



DON'T WAIT! REGISTER NOW!

Register your product within 90 days to ensure your sauna is recognized as an official purchase and is eligible for warranty coverage.

register online at www.saunaspa.com/register or scan the QR code at Page 2.

PRODUCT REGISTRATION*


IMPORTANT: Warranty will not be recognized unless product is registered.

Register online at www.saunaspa.com/register . or Scan the QR code below.

Registering online is fast, secure, and ensures we receive your information.

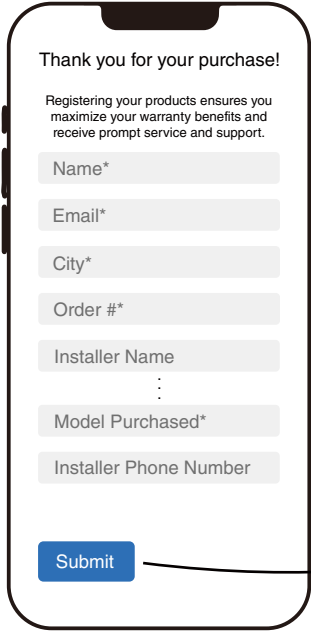
1

USE YOUR PHONE CAMERA
TO SCAN THE QR CODE



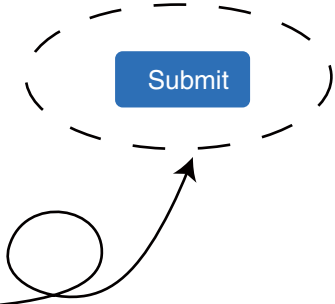
2

FILL IN A QUICK
REGISTRATION FORM



3

CLICK SUBMIT AND
ENJOY PEACE OF MIND



IMPORTANT WARRANTY INFORMATION!

WARRANTY AND REPAIR GUIDELINES

SaunaSpa warrants that this sauna unit will be free from manufacturer defects and malfunctions. For terms and conditions please refer to latest SaunaSpa Warranty at www.saunaspa.com/register.

Please be advised failure to comply with any of the following will VOID the warranty.

1. Sauna must registered within 90 days of delivery. See www.saunaspa.com/register.

Warranty Period:

This product is covered under warranty for a period of one year for electrical parts, five years for wood parts, commencing from the date of purchase.

For further information or assistance, visit www.saunaspa.com/warranty or call 866-733-4043.

TABLE OF CONTENTS

USER INSTRUCTIONS	3
WARNING	3
ASSEMBLY TIPS.....	5
SPECIFICATONS	6
PRODUCT SIZE CHART.....	6
COMPONENTS.....	9
INSTALLATION	10
INSTRUCTIONS FOR USE.....	16
SUGGESTIONS	18
TROUBLE SHOOTING	19

INSTALLATION & USER GUIDE

IMPORTANT!

- Malfunctions, damages, part replacements and labor resulting from improper installation, negligence, or lack of care and maintenance will NOT be covered under the SaunaSpa Warranty.
- PRIOR TO INSTALLATION, ENSURE THAT THE PRODUCT IS POWERED OFF.

Thank You for choosing SaunaSpa for health, beauty and relaxation. Now you can enjoy your own private sanctuary in the comfort of your own home.

USER INSTRUCTIONS

1. Check for visible damages upon delivery of sauna. Any damages to packaging should be reported immediately to shipping company delivery representative and SaunaSpa's Customer Service Dept.
2. Check model and accessories are correct, including voltage input. Any discrepancies are to be reported to SaunaSpa's Customer Service Dept. within 48 hours of delivery.
3. Read installation instructions in detail for a secure and effective installation of SaunaSpa sauna.
4. SaunaSpa shall not be responsible for product damage or malfunction caused by self-installation or installation procedures which do not comply with user manual.
5. SaunaSpa saunas are for indoor use only.

WARNING

Please read carefully before using sauna

- DO NOT use the sauna product with any of the following Health Conditions:

1. Any type of respiratory condition
2. Any type of a heart condition
3. High or low blood pressure
4. Pregnancy
5. Any skin disease or disorders
6. After or while drinking alcohol or alcoholic beverages
7. Hemophilia or are prone to bleeding

Check with your doctor regarding the use of this product if you have any other health conditions.

- Hyperthermia occurs when the internal temperature of the body reaches a level several degrees above the normal body temperature of 98.6°F (37°C). The symptoms of hyperthermia include an increase in the internal temperature of the body, dizziness, lethargy, drowsiness, and fainting. The effects of hyperthermia include:
 - a. Failure to perceive heat
 - b. Failure to recognize the need to exit, or Physical inability to exit the room
 - c. Unawareness of impending hazard
 - d. Fetal damage in pregnant women
 - e. Unconsciousness

WARNING

Please read carefully before using sauna

- Children must use the sauna under the care of an adult. For safety, do not play with it.
- Do not insert objects such as fingers or sticks into the heating tube plate to prevent danger.
- Never pour water in the sauna especially the heating board.
- Do not place items inside or on top of the sauna.
- Do not touch any electrical components with wet hands to prevent electric shock.
- Do not use the sauna during thunderstorms to prevent electric shock.
- Do not tilt the sauna, do not use sharp objects to strike the sauna.
- Shut down the sauna for half an hour after 4 hours of continuous use.
- Do not operate the sauna in a long-term high temperature environment.
- Do not use after intense exercise, wait until the body temperature returns to normal before using.
- If you feel any discomfort, please stop using immediately.
- Mind your head when getting in and out of the sauna.
- Do not sleep inside when the sauna turned on.
- Do not use any bath products in the sauna.
- To avoid burns, do not touch the heating element.
- Please keep the seat timber and floor heater dry to avoid damage!
- Do not take pets into the sauna room.
- Do not spray water on the radiators, This may result in electric shock or damage to the radiators.
- Do not touch the light bulb in use.
- If the bulb needs to be changed, unplug the sauna and let the bulb cool down before changing it.
- Do not use the sauna room if you have a trauma, eye disease or burns.
- Do not install shower heads or water spray devices above or inside the sauna.



Covering the heater or infrared emitter causes fire risk!

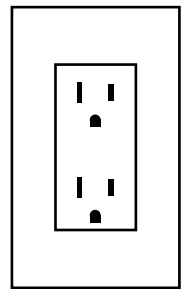
ASSEMBLY TIPS

Before you begin, read all assembly instructions and safety warnings carefully.

- This sauna requires at least **2 adults** to complete assembly.
- Remove all of the contents from the package and check that you have all parts shown in the component list.
- NOTICE: Some parts may be pre-installed / pre-assembled.
- This manual is used for the assembly of several sauna models, some figures or drawings may not look exactly like your sauna.
- Protect the wood surface of sauna during assembly to avoid damage.
- Keep this manual for future reference.

ELECTRICAL REQUIREMENTS

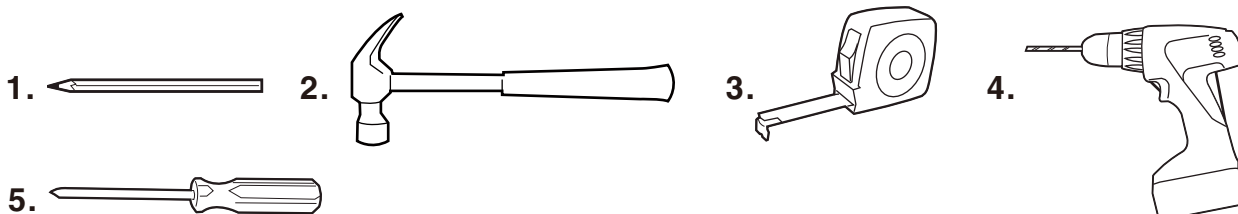
- It is recommended to consult a licensed electrician and check local ordinances before installing any sauna.
- This sauna requires that receptacle and circuit breaker specifications are 15 amp.
- Electrical modifications may be required to adapt 15 amp current.
- This sauna requires a dedicated circuit, other appliances may not share the same outlet as the sauna.



CHOOSING A LOCATION

- This sauna should be placed **INDOORS** on a dry, level surface only.
- There should be a minimum of 5 inches clearance between the sauna and any wall.
- Make sure the main power cord will reach the outlet and remains easy to access.
- The sauna should only be used in a dry location, moisture will damage the wood and electrical components.
- Keep the sauna away from any potential hazards including water sources, flammable objects and combustible materials.

RECOMMEND TOOLS



1. Pencil 2. Hammer 3. Tape Measure 4. Electric Drill
5. "+" screwdriver

SPECIFICATIONS

SPECS	SC-SS0013-GS
Assembled Tent Dimensions(L x W x H)	35.4" x 35.4" x 74.8" (900 x 900 x 1900mm)
Power	1700 Watts
Maximum Temperature	149°F (65°C)
Voltage	120V AC / 60Hz
Function	Control panel with temp adjust and timer, Audio with USB Drive/Bluetooth/FM, Color LED light, Oxygen ionizer

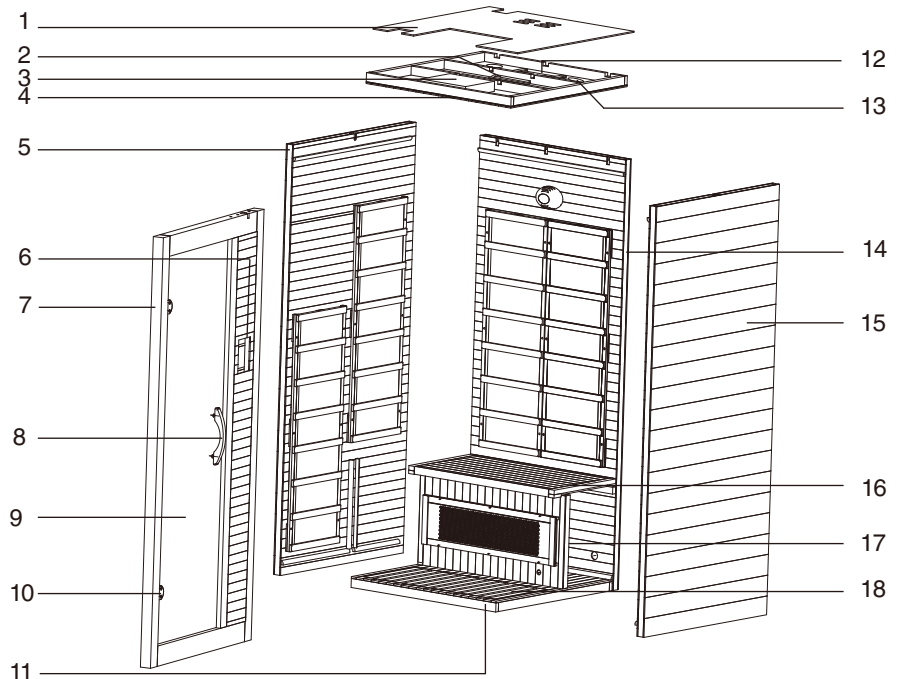
PRODUCT SIZE CHART



INSTALLATION & USER GUIDE

COMPONENTS

- 1 Duster cover
- 2 Light
- 3 Control Box
- 4 Top board
- 5 Left board
- 6 Control panel
- 7 Front board
- 8 Handle
- 9 Door glass
- 10 Hinge
- 11 Bottom board
- 12 Ventilation
- 13 Speaker
- 14 Back board
- 15 Right board
- 16 Bench
- 17 Bench front board
- 18 Foot rest board



Accessories

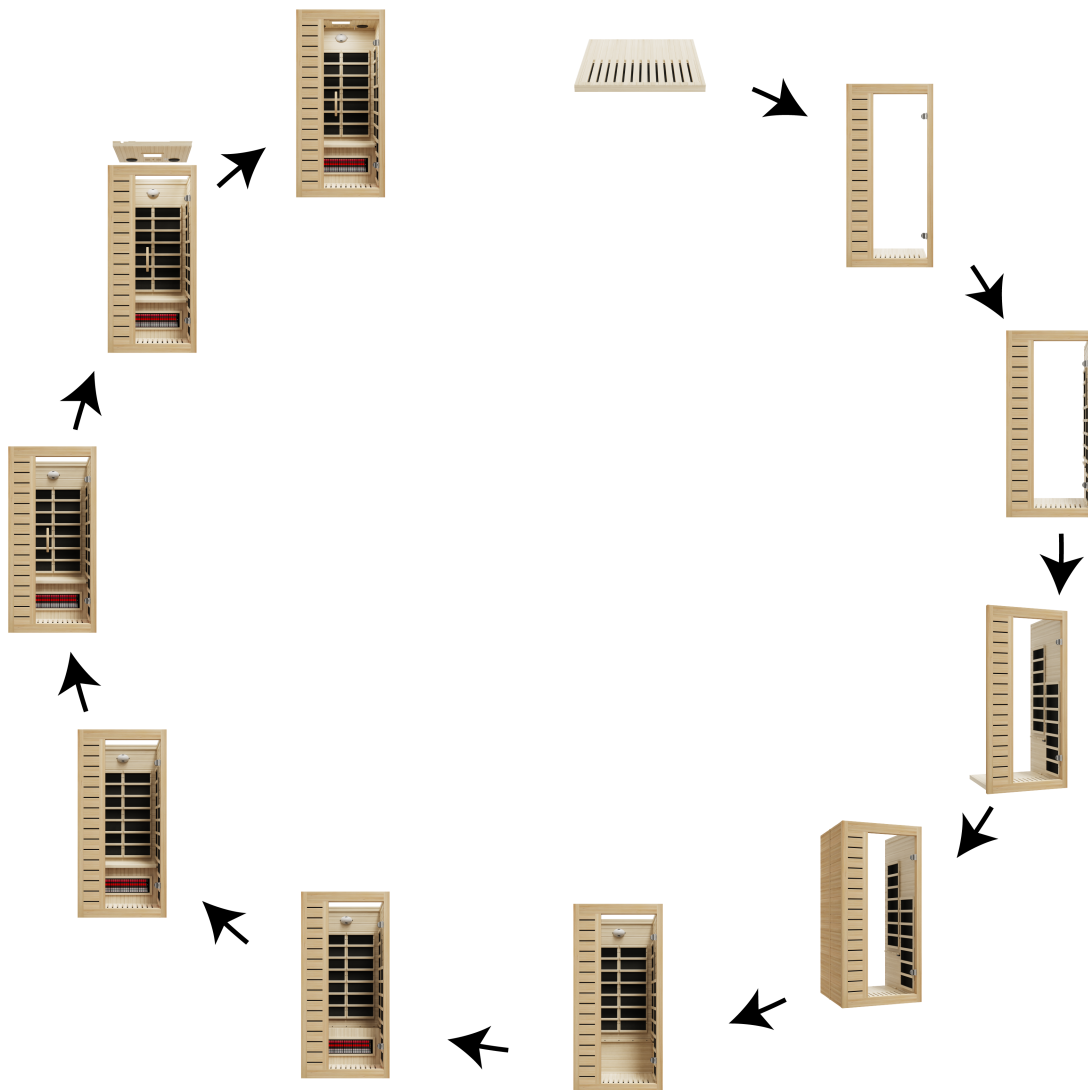
 Self-tapping Screw(3*25) x6	 Self-tapping Screw(5*50) x4	 Self-tapping Screw(4*50) x2
 Oxygen ionizer	 Essential oil bowl	 Handle with Screws
 Essential oil tray	 Essential oil	 Hexagen Wrench

INSTALLATION

NOTICE:

Please read WARNING and ASSEMBLY TIPS section before installing the sauna.

The figures and drawings are used for the assembly guide only, parts and accessories may not be consistent with your sauna.



INSTALLATION

1. Find a location to place the Bottom board [11], see ASSEMBLY TIPS for details. Then Attach the Front board [7] to the Bottom board by lining up the Front board with the edge in front of the Bottom board. (Fig 1)

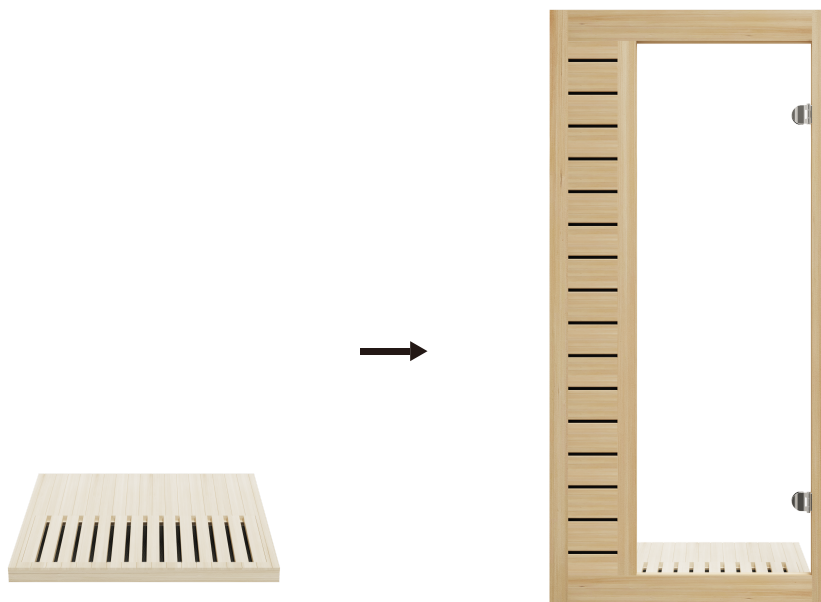
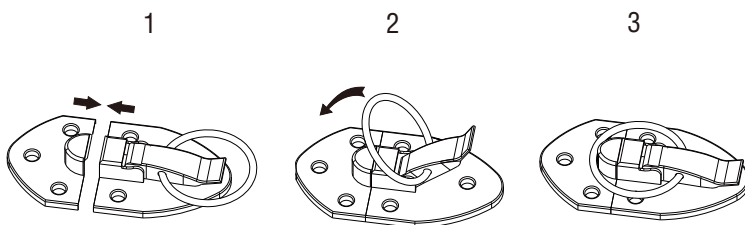


Fig 1

2. There are two kinds of buckles during whole installation, install as shown. (Fig 2)

Outer buckle installation



Hanging buckle installation

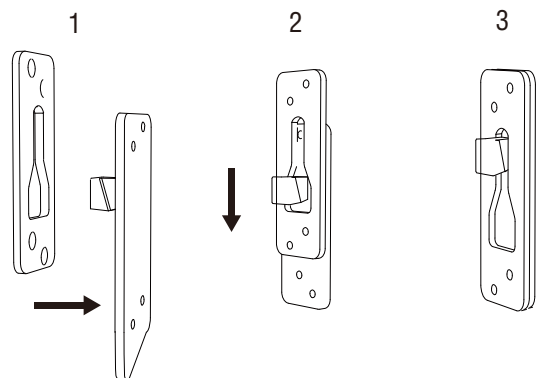


Fig 2

INSTALLATION

3. Attach the Right board [15] to the Front board by aligning the buckles and sliding the Right board down, locking it into place. (Fig 3)



Fig 3

4. Attach the Left board [5] to the Front board by aligning the buckles and sliding the Left board down, locking it into place. (Fig 4)



Fig 4

5. Attach the Back board [14] to the Bottom board by aligning the buckles of Left board and Right board, and sliding the Right board down, locking it into place. (Fig 5)



Fig 5

INSTALLATION

6. Slide the Bench front board [17] into the grooves on Left and Right board at an angle as shown (Fig 6), connect the power cable as shown (Fig 7).



Fig 6

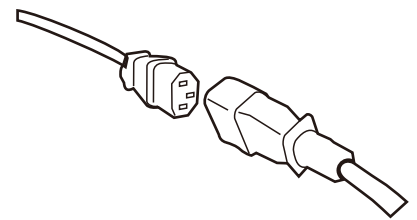


Fig 7

7. Put the Bench [16] over the Bench front board and push it forward to Back board, fix Bench with Self-tapping screw(4*50).



Fig 8

INSTALLATION

8. Lead the wires in the sauna to the top, Install the Top board [4] at the top of the sauna (Fig 9), and let wires through the groove of Top board.

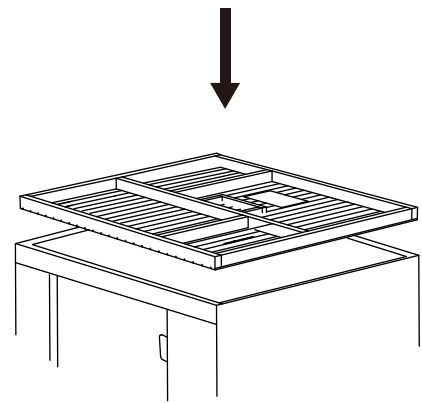


Fig 9

9. Every connection cable or plug has a corresponding pair, find male and female with the same label (like "Control") and plug in correctly.

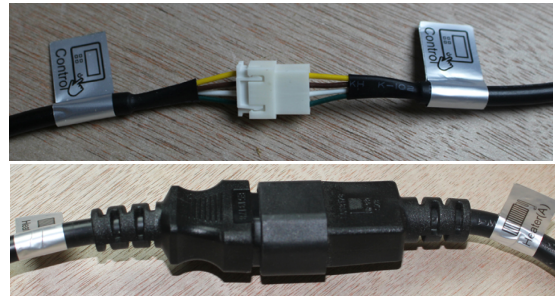


Fig 10

10. Find the wire from back board through the hole on the Back board, and connect the Oxygen Ionizer (independent parts), then use Electric drill to fix the Oxygen ionizer on the Back board with self-tapping screws (3*25). (Fig 11)

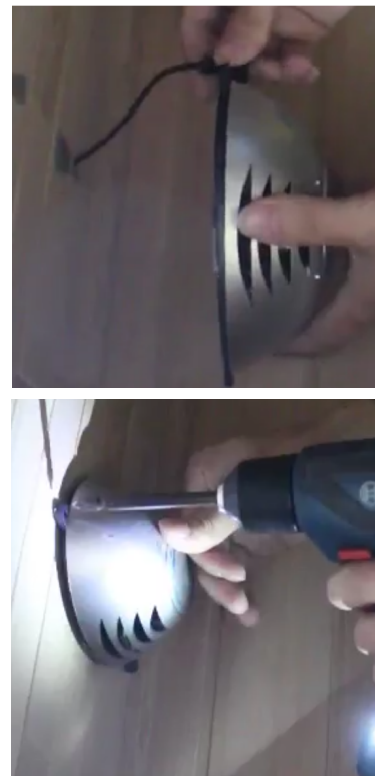


Fig 11

INSTALLATION

11. There are some holes at the edges around the Top board, use Self-tapping screws (5*50) to fix the Top board. (Fig 12)

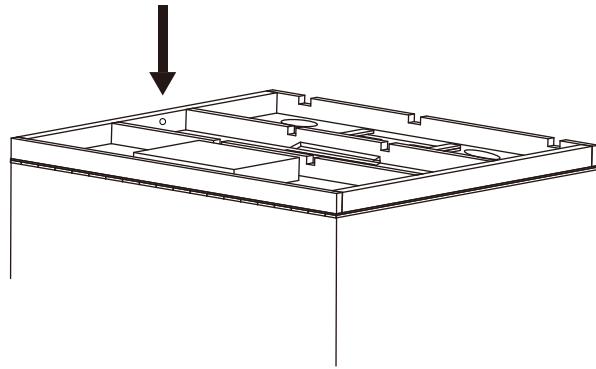


Fig 12

12. Put the Duster cover [1] on the Top board, then fix the Duster cover with self-tapping screws (3*25) at the four corners. (Fig 13)

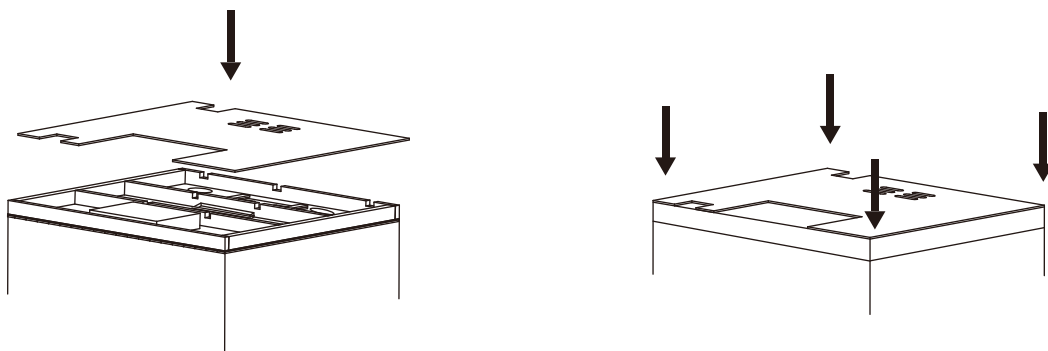


Fig 13

13. Separate Handle [8] by unscrewing screws on the screw side. Screw side is for inside of Door glass [9], another side is for outside.
Put the both handle align with the holes in Door glass, and fix the handle with screws at the wooden handle. (Fig 14)



Fig 14

INSTALLATION

14. (Optional) You can hang the Essential oil tray on Left board or Right board as shown. (Fig 15)



Fig 15

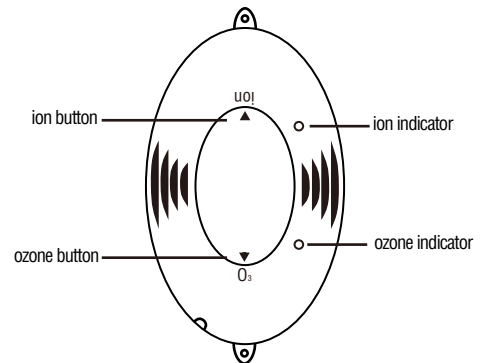
15. Plug the main electrical cord into a dedicated outlet.
NOTICE: The power outlet should be dedicated to the sauna. Do not share it with other appliances.

INSTRUCTIONS FOR USE

Congratulations, the assembly of the sauna is now complete, Please review instructions, warnings & suggestions before using.

Oxygen ionizer

1. Press ion button to turn ON/OFF ion function.
2. Press ozone button to turn ON/OFF ozone function.



Bench heating unit switch

The Bench heating unit can switch ON/OFF independently as shown.



INSTRUCTIONS FOR USE

Control Panel

1 Temperature display screen

Display the temp in sauna room, If temp is lower than 86°F (30°C), it shows "LO".

2 Timer display screen

If timer is activated, display the countdown time.

3 USB port

Plug in USB drive, use Audio function to play the music in USB drive.

NOTICE: 1. The partition format of USB drive require FAT32.
2. MP3 audio should be placed in the root directory.

4 Light button

Press the button to turn on/off the light, the indicator light will show the ON/OFF status of the light.

If the indicator is on, press the button 5s will turn to lamp adjust mode, Timer display will show "2n", in this mode, the ON/OFF status of color light can be adjusted:

- (1) Press "Time-" to turn ON/OFF color light.
- (2) If the color light is on, short press light button to change the color.
- (3) No operation for 8s quits the light adjust mode.

5 Power button

Press and hold this button to switch heater ON / OFF.

6 Temp control

Press TEMP- and TEMP+ to adjust the heater temperature.

Temperature range is 86-149°F [30-65°C], press once adjust 5°F [1°C].

Celsius/Fahrenheit display switch: Press "TEMP-" and "LOCK" for 5S.

7 Timer control

Touch the "TIME+" and "TIME-" buttons to set the timer.

8 Audio control

The sauna can play music or radio, press to audio adjust status.

In audio status, indicator will on, Temp display show audio source, Timer display show volume("Db", range 01-30), press "TIME+" or "TIME-" to adjust volume, press audio button for switch audio source. No operation for 8s quits the audio adjust mode.

Bluetooth: Temp display shows "BLU". Use devices that support Bluetooth audio playback(e.g. smartphone), find the bluetooth device called "SaunaSpa", click to connect. If connect successful, press "TEMP+" and "TEMP-" to switch previous / next music.

NOTE: During bluetooth match, cannot switch audio source or turn ON/OFF another function.

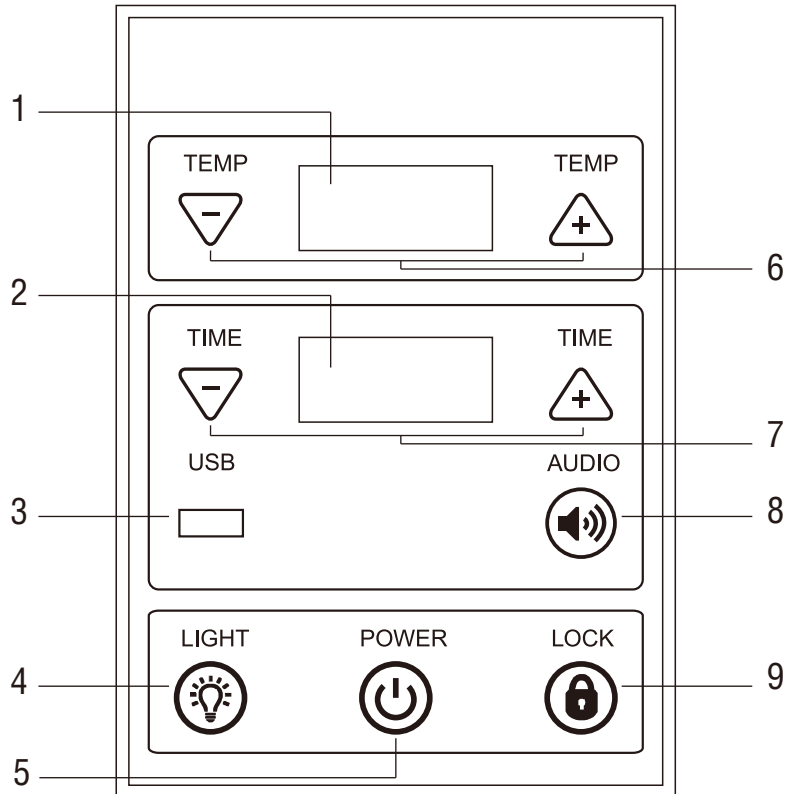
USB drive: Temp display shows "USB", press "TEMP+" and "TEMP-" to switch previous / next music.

FM Radio: Temp display shows frequency, time display shows "VOL". Press "TEMP+" and "TEMP-" to adjust FM frequency (85.7-108.0Mhz).

OFF: Audio function will turn off.

9 Button lock function

Long press the button for 5s to lock / unlock the control panel.



SUGGESTIONS

Before using

1. Please be sure to follow the instruction manual before operations.
2. A hot shower or bath prior to the start of your sauna session, will help promote perspiration.

During using

1. STAY HYDRATED! Remember to drink plenty of water before, during and after your sauna.
2. A normal sauna session should last 30 minutes or less.
3. Perspiration will begin within 15-25 minutes.
4. Open the ceiling vent or door to allow fresh air into the sauna.
5. Ceiling vent can be adjusted in the sauna.
6. When activated, the ozone/ionizer may produce a distinct odor.

After use

1. Always remember to unplug your sauna after each use.
2. Open the door to let the heat and humid water vapor dissipate and keep the sauna cabin dry.
3. Make sure to wipe any sweat from the sauna walls and surfaces. We recommend using a towel.

Clean wood parts

1. Use a wrung wet towel to wipe down the cabin's outer and inner surface. Additionally, we recommend running a small vacuum cleaner on the inner surfaces.
2. Avoid the use of any organic based cleaners such as gasoline or alcohol on the sauna's wooden surfaces.
3. Avoid using any sharp or abrasive materials to prevent scratching the wooden surfaces.

Cleaning glass parts

1. Use soft materials to wipe the glass such as a micro-fiber washcloth.
2. Stubborn stains can be wiped with a damp cloth, then dry with a dry cloth.
3. Void using any sharp or abrasive materials to prevent scratching the glass surfaces.

Transportation and storage

1. Avoid water, snow and intense impact during the transportation.
2. Do not store it in a humid environment.
3. The northern climate is relatively dry, keep the wood parts humid, for example, wipe the product with a wrung wet towel.

TROUBLESHOOTING

- Always cut off the power of the sauna and let it cool down before maintenance.
- Repairs to the electrical components of the sauna should only be performed by qualified service technician.
- Unauthorized repairs will void the warranty, please contact SaunaSpa service immediately.

1. No Heat Coming From Some Of The Heaters

Solution: Check that the Power Cord is plugged into the outlet, make sure all heater cords are properly connected, including the cord to the heater on the floor. Check the heater cords on Top board, make sure they connected to the control box properly.

Solution: If some heaters are working, then the not working heater may have been damaged. don't continue to operate. Contact SaunaSpa for replacement parts.

Solution: If the heaters are not working but the control panel doesn't display the error code, the temperature sensor may not be plugged properly or maybe damaged. Contact SaunaSpa for replace sensor, then remove the duster cover, find the temperature sensor wires on top board and remove it, put the new sensor down the vent, make sure the sensor is straight down under the vent so that it is now inside the sauna. Then turn on the sauna and wait 5 minutes to confirm if the heater are generating heat.

2. Control Panel Malfunctioning

Solution: The control panel can turn on, but cannot off or no response when button on panel are pressed. The problem may be cause by connection. Find the "Control" wire on the top board, disconnect the wire, then check the pins to make sure they are not bent, and reconnect the "Control" wire harness. Turn on the sauna and check the operation are now responding.

Solution: If the control panel is showing no sign of power, it may have been damaged, contact SaunaSpa for help.

3. Control Panel Show Error Code

Code "HH": The temperature of sauna over than 167°F [75°C], restart the sauna until the temperature of sanua lower than 149°F [65°C].

"E0" / "E1" : The sensor of temperature is broken, contact SaunaSpa for replacement parts.

Code "LO": The temperature in sauna is lower than 86°F [30°C], it's not a malfunction.

4. Intentional Rear Wall Warp

Solution: The back board is intentionally warped as part of sauna design, this add strenth to the sauna structure once the sauna is assembled. Read Step 5 of the Installation.

TROUBLESHOOTING

5. Wall Outlet Melting

Solution: 1. A common problem with wall outlets is loose wiring on the connection points of the terminals of the receptacle, a loose wire will also make for a bad connection and cause an unusual amount of heat buildup, loose connections can also cause sparking in the junction box that could result in arcing.

2. Contact qualified service technician to replace the wall outlet.
3. If the power cord is damaged, contact SaunaSpa for help, the power supply may need to be replaced.

6. Dedicated Power Outlet

Solution: 1. Use the dedicated line, the power outlet is the only receptacle on the line to the breaker in electric panel box.

2. If you can't use dedicated line for sauna, try to cut off other electrical appliances on the same line with sauna when it is operating.

7. Heater Under Bench Heat Coming Slow

Solution: For safety, the heater under bench will have lower power than other heater, it's not a malfunction.

8. Speaker Malfunctioning

Solution: Check the connection wire of speakers on the top board, replug the wire then make sure the speaker is work.

Solution: The speakers maybe damaged, contact SaunaSpa for replacement parts.

9. Color Lighting Malfunctioning

Solution: If color light is not working, the issue with the light may have to do with connection(s) on the top side of the light fixture. Disconnect the wire connection of light on the top board, then reconnect the connection, make sure it's snug and tight.

Test the light again, if the light is still having issues, contact SaunaSpa for help.

10. Cannot Use Bluetooth

Solution: 1. Check bluetooth switch in bluetooth device (eg. mobilephone, MP3), and make sure it connect bluetooth device called "SaunaSpa" successfully.

2. Adjust volume on device and control panel on sauna when the device is playing music.
3. Bluetooth devices are not compatible with sauna, try another device.

11. Cannot Use USB or FM

Solution: 1. If use the USB Drive, check that the partition format of USB Drive, FAT32 is required.

2. If use the FM, try to adjust the location of the sauna.
3. Adjust volume on control panel on sauna when the sauna is playing music or radio.