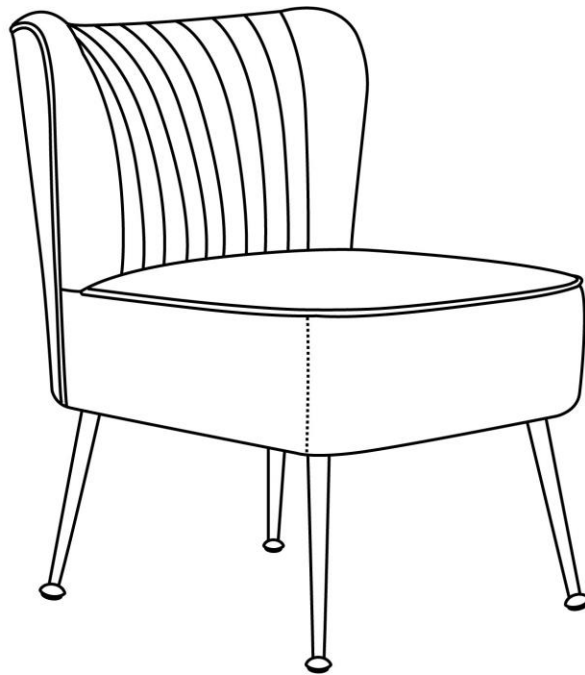


INSTRUCTION MANUAL



Tufted Velvet Accent Chair
SKU: IA4001

V1.0

! CARE & MAINTENANCE

Please keep this instruction for your future reference.

- Be careful when assembly, avoid hurting the plating of the surface.
- Clean the chair with lukewarm water, mild detergent & soft cloth.
- Firmly secure all bolts before use, do not use any part of this item as a step ladder.
- Reconfirm that all bolts, screws, and nuts are secure every 90 days.
- Do not use or store this item in the proximity of open flame or flammable/combustible chemicals.
- Be aware that some parts are heavy and have sharp edges.
- Do not overtighten screws. (Insert all screws before tighten screws.)

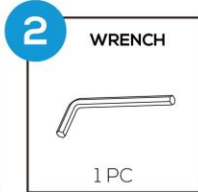
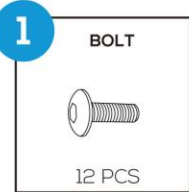
TOOLS REQUIRED



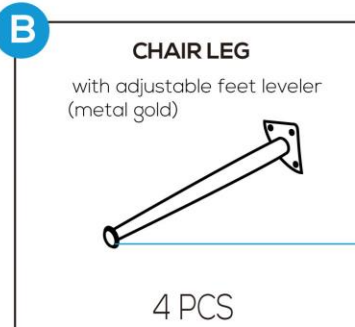
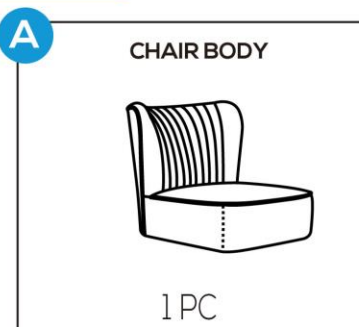
TABLE
noLES
CAPACITY



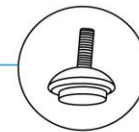
HARDWARE



PARTS



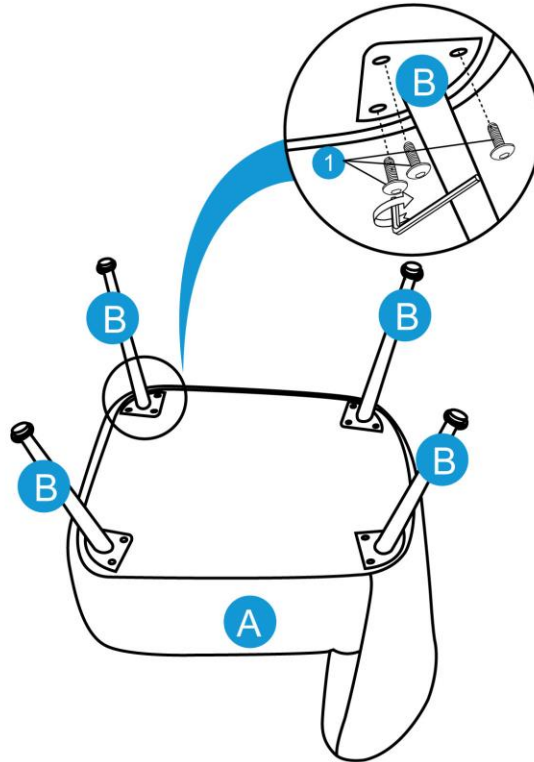
adjustable feet leveler



PRODUCT ASSEMBLY

1

Attach Part B Leg to Chair Bottom with 12 pcs Hardware 1 Bolt



2

Tighten all the bolts again to ensure the chair is stable enough to use. Adjust the feet levelers for perfect balance.

