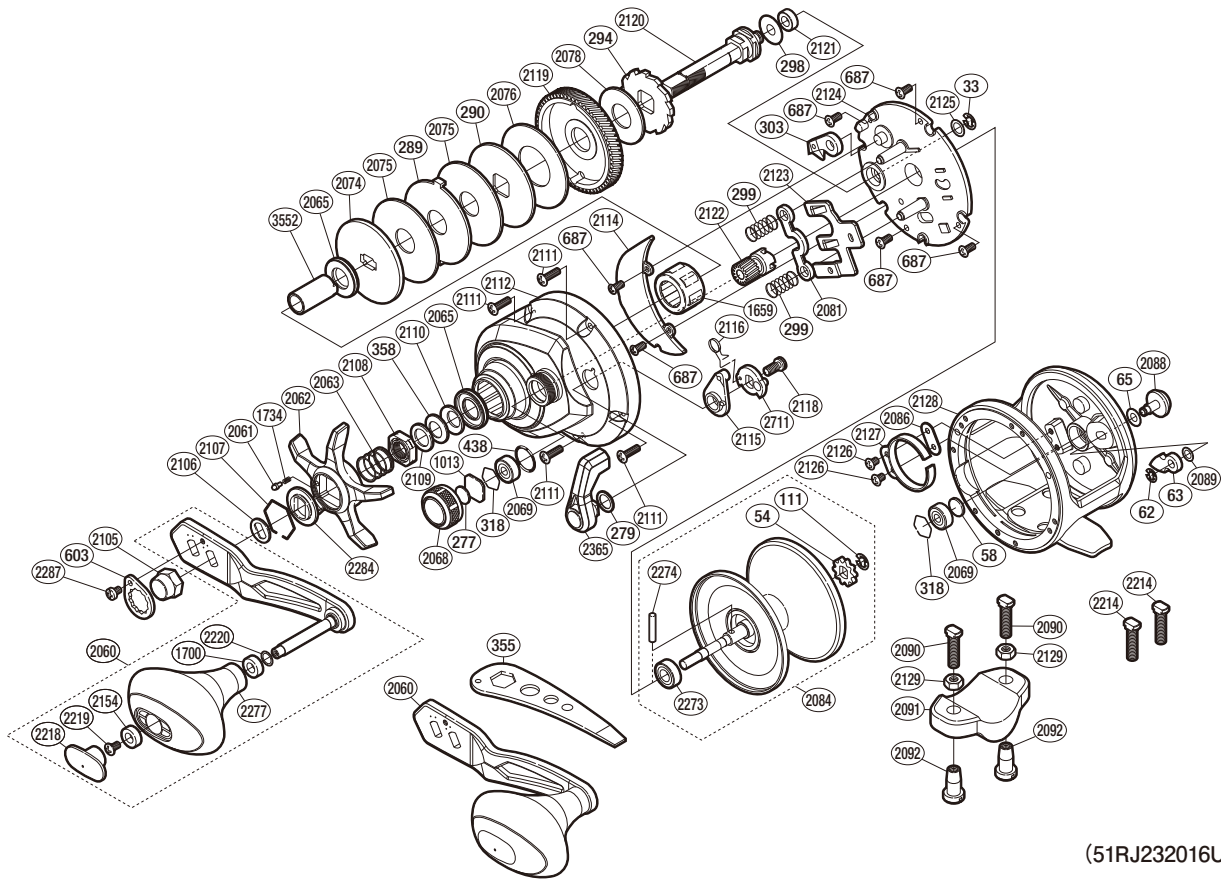


SHIMANO TORIUM

TOR-16HGALH



(51RJ232016U)

#	Part No.	Description	#	Part No.	Description	#	Part No.	Description
33	105NG	Drive Shaft Retainer	2065	10C69	Roller Clutch Water Proof	2123	10R1G	Yoke Plate
54	104EX	Click Gear	2068	10JWV	Cast Control Cap	2124	10DP7	A Side Plate Set
58	10GEU	Spacer B	2069	10KAF	Ball Bearing	2125	109F6	Washer
62	105NK	E Lock	2074	10D53	Key Washer	2126	10LHW	Screw
63	10GQQ	Click Pawl	2075	10LB5	Drag Washer D	2127	1046D	Click Spring
65	104H2	Washer	2076	10D3G	Drag Washer B	2128	10DP0	Frame
111	105NJ	E Lock	2078	10CM0	Drag Washer A	2154	10EU0	Handle Knob Bushing A
277	10896	Cast Control Spacer	2081	10486	Yoke	2218	106K0	Handle Knob Seal
279	10JYS	Smother	2084	10EPH	Spool Assembly	2219	10LFA	Screw
289	10LBD	Eared Washer (E)	2086	104ZA	Click Spring Washer	2220	10HEP	Washer
290	10L4Z	Key Washer (C)	2088	104H0	Click Button	2273	108PE	Ball Bearing
294	10D9M	Anti-reverse Ratchet	2089	10GHP	Washer	2274	10MGR	Spool Clutch Pin
298	10588	Washer	2105	10R3C	Handle Nut	2277	105ZD	Handle Knob
299	104BY	Yoke Spring	2106	107QN	Drive Shaft Shield	2284	10J26	Star Drag Click Plate
303	10MWB	Anti-Reverse Pawl	2107	10KXW	Click Plate Retainer	2287	10LLU	Screw
318	10GGM	Bearing Retainer	2108	10R3H	Star Drag Nut	2365	10RDW	Clutch Lever Unit
358	10EW3	Coned Disc Spring (8l)	2109	10J1P	Star Drag Spacer	2711	10SG8	Clutch Cam Assembly
438	108WK	O Ring	2110	109LA	Coned Disc Spring (8h)	3552	10DH4	Roller Clutch Inner Tube
603	10LMC	Handle Nut Plate	2111	10L6L	Screw			
687	103GP	Screw	2112	10DPB	A Side Plate	2090	10A9S	Rod Clamp Bolt (Accessory)
1013	1085F	Spool Tension Spacer	2114	10QZU	Set Plate Sticker	2091	10AS5	Rod Clamp (Accessory)
1659	10F37	Roller Clutch Bearing	2115	10L2D	Eccentric Cam Bushing	2092	10JCF	Rod Clamp Nut A (Accessory)
1700	104UJ	Handle Knob Bushing B	2116	10R00	Clutch Spring	2129	10HG9	Rod Clamp Nut B (Accessory)
1734	10BT2	Click Spring	2118	10MFB	Screw	2214	10DMU	Rod Clamp Bolt (Accessory)
2060	103XE	Handle Assembly	2119	10R0E	Drive Gear			
2061	10MFC	Click Pin (B)	2120	10R0C	Drive Shaft			
2062	106YK	Star Drag	2121	10MAT	Drive Shaft Bushing			
2063	10A70	Star Drag Spring	2122	10R14	Pinion Gear	355	10MJ2	Wrench (Accessory)

Please note that the number of adjusting washers may not be the same as shown in the exploded views.
(Adjustment will vary with each individual product.)

(230912)_014