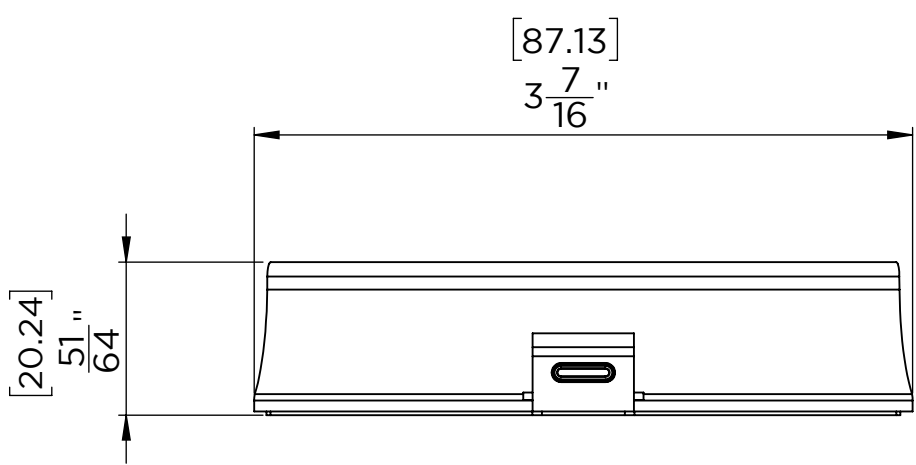
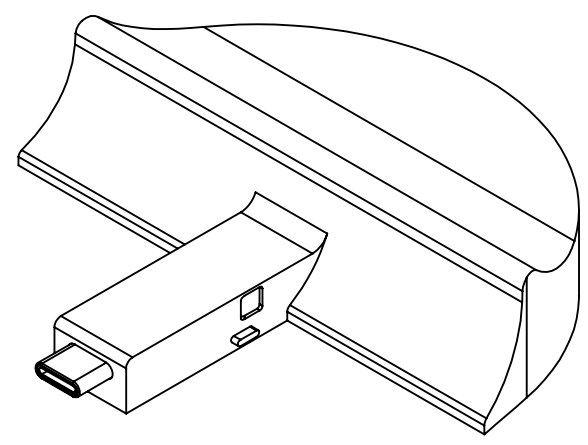
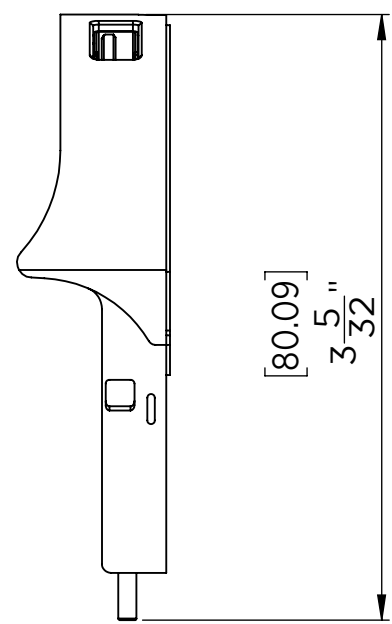
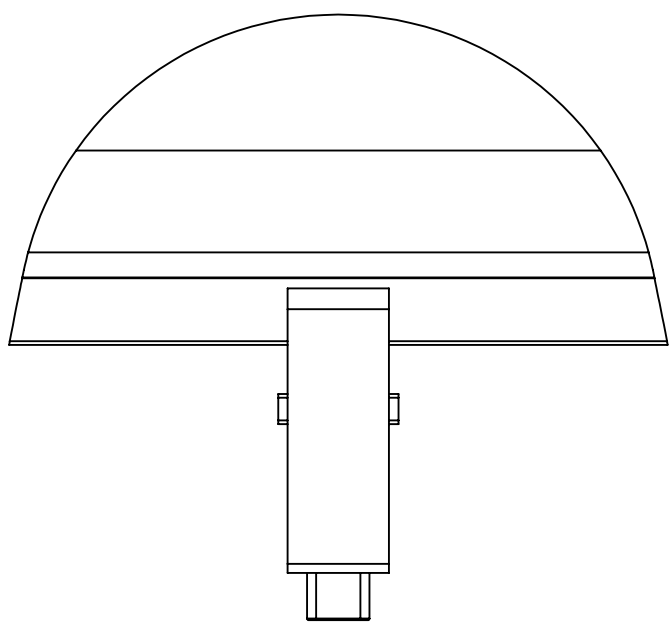


4

3

2

1



METRIC/INCHES		I PORT BY SONANCE	
DESIGNED IN SAN CLEMENTE, CALIFORNIA BY IPORT		NAME LX USB CHARGE MODULE	
<small>NOTICE OF PROPRIETARY INFORMATION: THE INFORMATION CONTAINED HEREIN IS THE PROPRIETARY PROPERTY OF DANA INNOVATIONS. THE POSSESSOR AGREES TO THE FOLLOWING: 1. TO MAINTAIN THIS DOCUMENT IN CONFIDENCE 2. NOT TO REPRODUCE OR COPY IT 3. NOT TO REVEAL OR PUBLISH IT IN WHOLE OR IN PART 4. ALL RIGHTS RESERVED</small>		SIZE B	SKU 71018 71019 71020
		SCALE: 1:1	WEIGHT:
		SHEET 1 OF 1	

4

3

2

1

B

B

A

A