

Tools

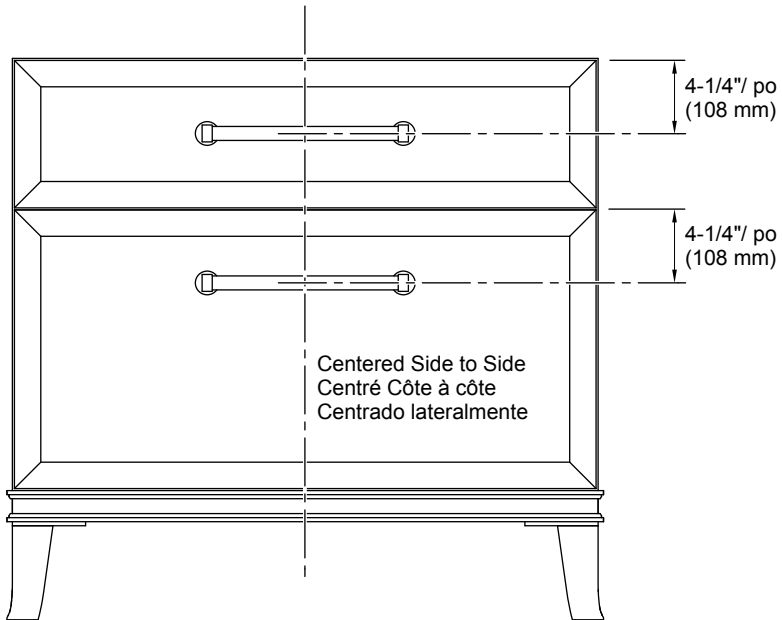
- Tape Measure
- Pencil
- Drill and 3/16" Bit
- Side Cutters

Outils

- Mètre ruban
- Crayon
- Perceuse et mèche de 3/16 po
- Couteaux latéraux

Herramientas

- Cinta para medir
- Lápiz
- Taladro y broca de 3/16 pulg.
- Pinzas de corte



Hardware Placement

- Measure and mark the attachment locations for the hardware on the drawers.
- Drill a 3/16" (21 mm) hole at each marked location.
- From inside the drawer, insert a screw through one of the holes. Count the number of visible notches on the screw that appear from the other side.
- Remove the screw and using a pair of side cutters, cut the screw at the appropriate notch. Repeat for each screw.
- Insert a screw through each hole, and align with a handle. Thread the screws into the handle. Repeat for each handle.

Positionnement de la visserie

- Mesurer et marquer les emplacements des attaches pour la visserie sur les tiroirs.