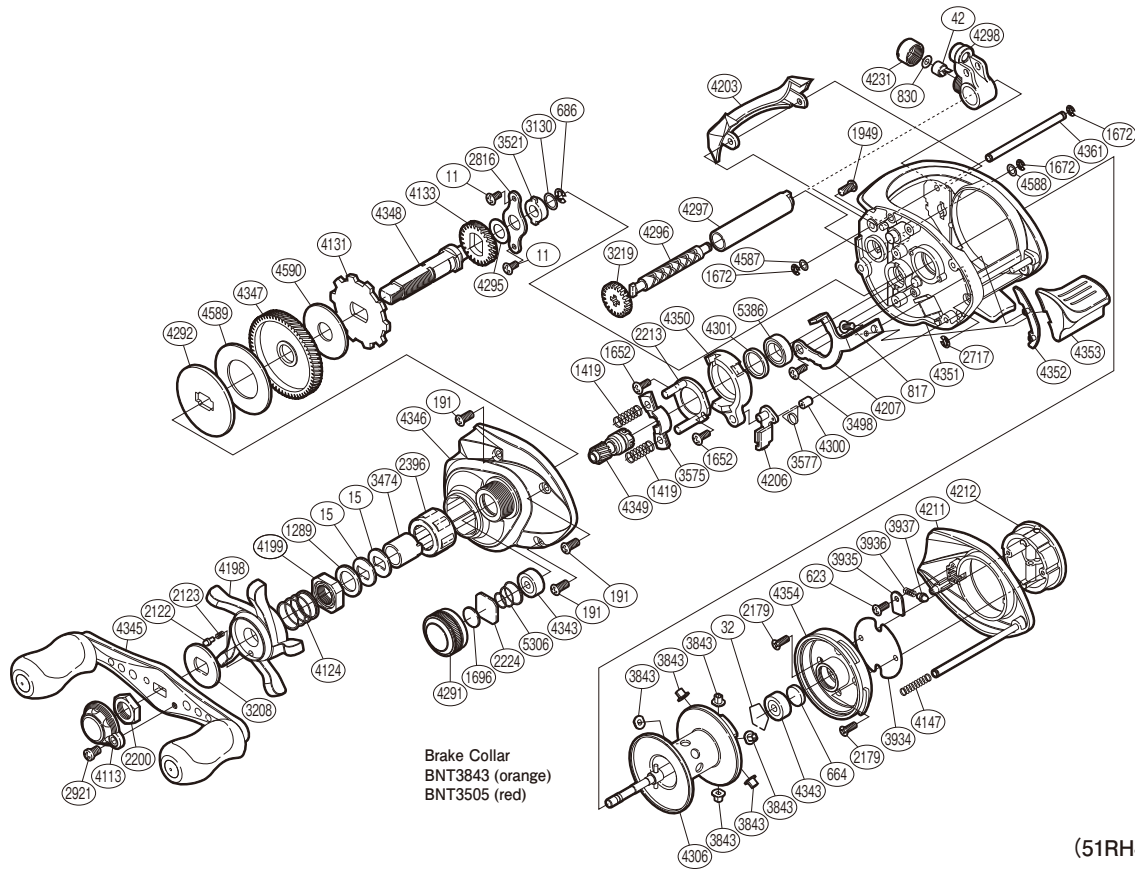


# SHIMANO

## CITICA

### CI-201G6



(51RH405201U)

#	Part No.	Description	#	Part No.	Description	#	Part No.	Description
11	10MT0	Screw	3208	10J22	Star Drag Click Plate	4295	10G4U	Washer
15	10D60	Drag Spring Washer	3219	10FP4	Idle Gear	4296	104ZM	Worm Shaft
32	10GEW	Bearing Retainer	3474	10MAY	Roller Clutch Inner Tube	4297	10NFZ	Level Wind Guard
42	10FFZ	Line Guide Pawl	3498	10MPC	Screw	4298	10NYY	Line Guide
191	10MPT	Screw	3521	10MAM	Drive Shaft Bushing	4300	10F20	Retractor Spring Collar
623	103C0	Screw	3575	10P99	Yoke	4301	10LT5	Bearing Bushing
664	1057S	Spacer B	3577	10N1V	Clutch Pawl Spring	4306	10L44	Spool Assembly
686	105NK	E Lock	3843	10AH0	Brake Collar (Orange)	4343	105C3	Ball Bearing
817	10MPW	Screw	3934	108F3	Brake Case Spacer	4345	10CFA	Handle Assembly
830	10CFX	Spacer	3935	10KVL	Brake Spring Retainer	4346	10PWZ	Left Side Plate
1289	10J1L	Star Drag Spacer	3936	10B51	Click Spring	4347	10CR7	Drive Gear
1419	104BM	Yoke Spring	3937	10B4Z	Click Pin	4348	105CU	Drive Shaft
1652	10LVE	Screw	4113	10Q62	Handle Retainer	4349	10CU4	Pinion Gear
1672	105NC	E Lock	4124	10A70	Star Drag Spring	4350	10K15	Clutch Cam
1696	10896	Cast Control Spacer	4131	10D74	Anti-Reverse Ratchet	4351	10JNM	One-Piece Frame
1949	10LSR	Screw	4133	10J6Y	Idle Gear	4352	1099A	Clutch Bar Guide
2122	10BT0	Click Pin	4147	10KNC	Damper Spring	4353	10GCG	Quick-Fire II Clutch Bar
2123	10BT2	Click Spring	4198	10AU8	Star Drag	4354	10FXS	Brake Case
2179	10MKV	Screw	4199	10A09	Star Drag Nut	4361	10QSK	Stabilizer Bar
2200	10FSN	Handle Nut	4203	10QGY	Level Wind Protector	4587	10KF5	Washer
2213	10F67	Clutch Cam Retainer	4206	10MQP	Clutch Pawl	4588	10FJZ	Washer
2224	1085F	Spool Tension Spacer	4207	10QLJ	Clutch Plate	4589	1071S	Drag Washer
2396	10F5C	Roller Clutch Bearing	4211	10D1B	Right Side Plate	4590	10CHY	Drag Washer
2717	105NB	E Lock	4212	10FX1	Turnkey Dial	5306	10TMT	Spool Tension Spring
2816	109T6	Drive Shaft Retainer	4231	10FJW	Pawl Cap	5386	10EX6	Ball Bearing
2921	10LZ1	Screw	4291	10JWU	Cast Control Cap			
3130	10HV5	Washer	4292	10D3K	Key Washer	3505	10CP7	Brake Collar (Red) (accessory)

Please note that the number of adjusting washers may not be the same as shown in the exploded views.  
(Adjustment will vary with each individual product.)

(241029)\_003