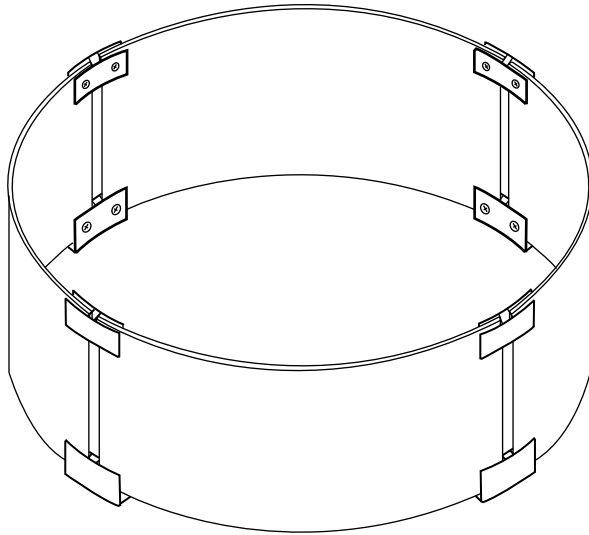


INSTRUCTION MANUAL



Round Tempered Glass Fire Flame Guard
SKU: OH4002

V1.0

! NOTICE

Do not overtighten screws. (Insert all screws before tightening screws.)

- Please do not exceed the weight limitations of this item.
- Do not stand on or use any part of this item as a step ladder.
- Firmly secure all bolts, screws and nuts before use.
- Reconfirm that all bolts, screws, and nuts are secure every 90 days.
- Be aware that some parts are heavy and have sharp edges.

TOOLS REQUIRED



SCREW DRIVER
(PROVIDED)



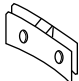
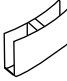
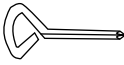


1 PERSON
ASSEMBLY



UP TO 20 MIN.
ASSEMBLY

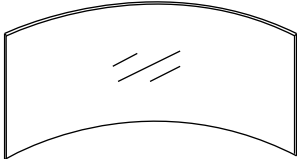
HARDWARE

1 M10 BOLT  16 PCS	2 SILICONE HEAD  16 PCS	3 GLASS TOP HOLDER  4 PCS	4 BOTTOM HOLDER  4 PCS	5 SCREW DRIVER  1 PC
--	---	---	--	---

PARTS

A

GLASS PANEL



4 PCS

PRODUCT ASSEMBLY

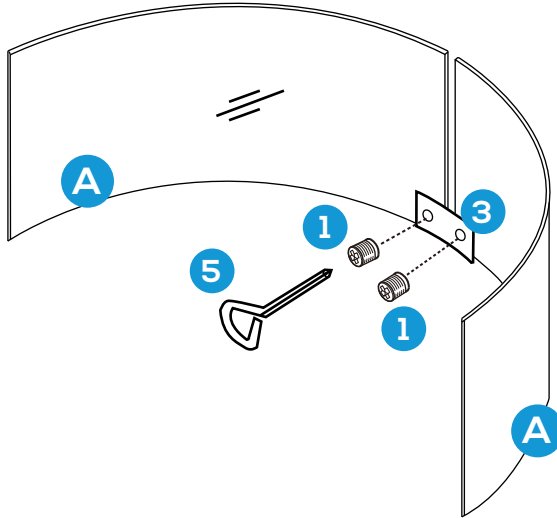
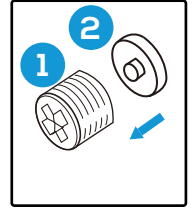
1

Place the Glass Panels on a clean, soft surface like a blanket or carpet before assembly.

⚠ ATTENTION: ATTACH THE SILICONE HEAD (HARDWARE 2) TO ALL THE BOLTS (HARDWARE 1) BEFORE ASSEMBLY.

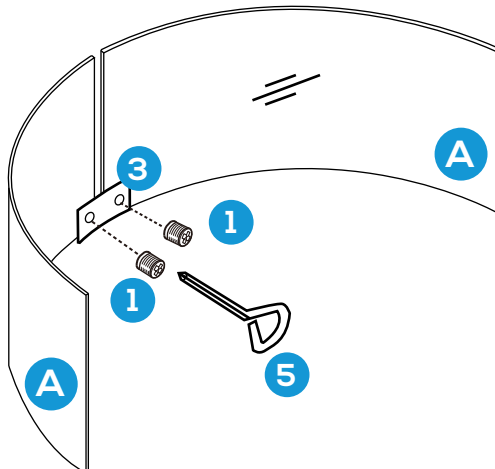
Place hardware 3 Glass Top Holder between 2 PCS of part A Glass Panels and tighten loosely by 2 PCS of hardware 1 Bolt with hardware 5 Screwdriver.

Do not tighten screws too much at this stage.



2

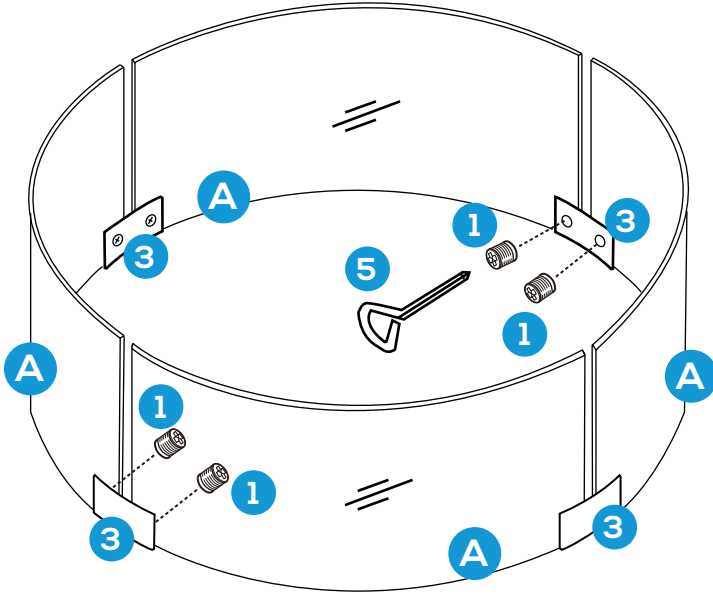
Place hardware 3 Glass Top Holder between 2 PCS of the remaining Glass Panels and tighten loosely by hardware 1 Bolt with hardware 5 Screwdriver.



PRODUCT ASSEMBLY

3

Assemble 4 PCS of part A Glass Panels together by hardware 1 Bolts and tighten loosely with hardware 5 Screwdriver.



4

Attach hardware 4 Glass Bottom Holder between every 2 PCS of part A Glass Panels and tighten by 8 PCS of hardware 1 Bolts.

Tighten all screws again and turn the assembled product upside down to finish the assembly.

