

MODEL: SL73082 2-TIER PINEAPPLE
ASSEMBLY INSTRUCTIONS
READ AND SAVE THESE INSTRUCTIONS

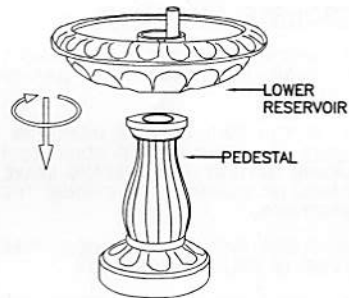
UNPACK THE FOUNTAIN

YOU SHOULD HAVE RECEIVED THE FOLLOWING PARTS: TOP PART, LOWER RESERVOIR, PEDESTAL, PUMP, LED LIGHT, SOLAR PANEL, BRACKET, TUBE, SPIKE.

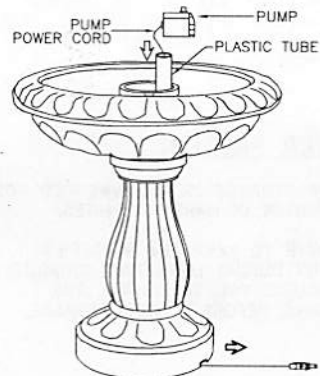
TO PROTECT THE FINISH, PLACE ALL PARTS ON A SOFT SURFACE BEFORE ASSEMBLY.

FOUNTAIN ASSEMBLY

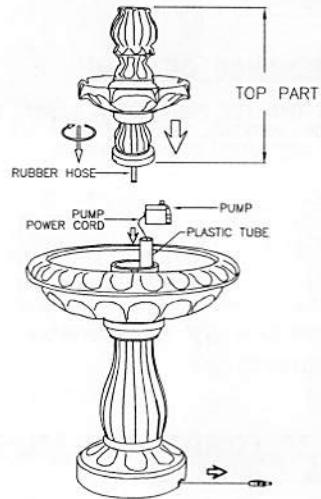
1. PLACE LOWER RESERVOIR ON THE TOP OF THE PEDESTAL AND TWIST THE RESERVOIR CLOCKWISE TO SECURE.



2. FEED THE PUMP POWER CORD THROUGH THE PLASTIC TUBE TOWARD BOTTOM OF PEDESTAL, CORD EXIT OUT FROM CHANNEL ON THE BOTTOM OF THE BASE.



3. ATTACH PUMP TO RUBBER HOSE, THEN PLACE TOP PART INTO LOWER RESERVOIR AND TWIST IT CLOCKWISE TO SECURE.



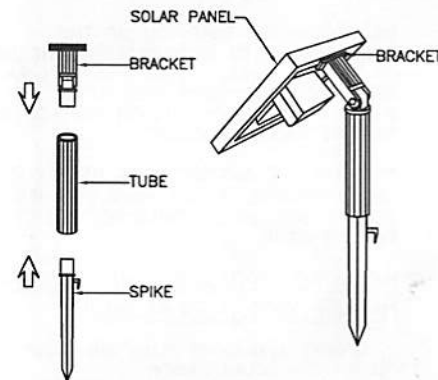
4. FILL RESERVOIR WITH APPROPRIATE AMOUNT OF WATER TO COMPLETELY SUBMERSE THE PUMP.



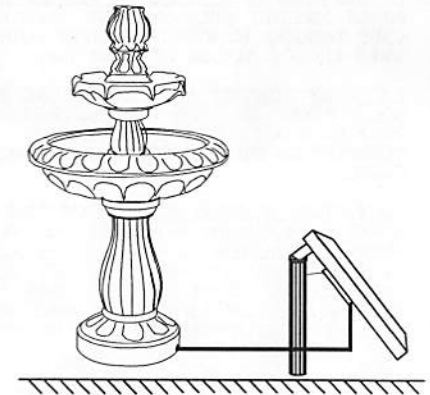
MODEL: SL73082 2-TIER PINEAPPLE
ASSEMBLY INSTRUCTIONS
READ AND SAVE THESE INSTRUCTIONS

SOLAR PUMP ASSEMBLY

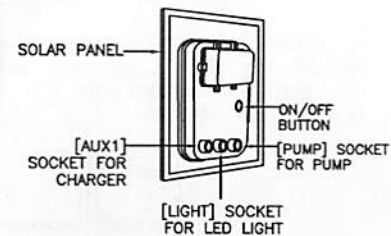
5. JOIN BRACKET, TUBE AND SPIKE TOGETHER, THEN ATTACH BRACKET TO BACK OF THE SOLAR PANEL AS SHOWN.



7. NOW YOUR NEW FOUNTAIN IS ASSEMBLED READY FOR USE.



6. TWIST PUMP AND LED LIGHT PLUGS SLIGHTLY AND PUSHING THEM INTO SOCKETS FOR PUMP AND LED LIGHT PLUGS. MAKE SURE THE SEALING RINGS ARE FULLY IN GROOVES.



MODEL: SL73082 2-TIER PINEAPPLE
OPERATE INSTRUCTIONS
READ AND SAVE THESE INSTRUCTIONS

SOLAR PUMP FUNCTIONS:

1. THIS PUMP IS DESIGNED TO RUN BY SOLAR POWER DIRECTLY WHEN SUNLIGHT CONDITION IS GOOD ENOUGH; TO RUN BY BATTERY POWER WHEN CLOUDY DAY OR AT NIGHT TIME.

1.1 SOLAR WORKING MODE: PUMP RUNS FROM SOLAR POWER DIRECTLY, THE PERFORMANCE OF PUMP IS RELATED TO THE AMOUNT AND STRENGTH OF SUNLIGHT RECEIVED BY SOLAR PANEL.

1.2 BATTERY WORKING MODE: WHEN YOUR PUMP STOPS WHEN CLOUDY DAY OR IN THE EVENING, PRESS [ON] BUTTON TO RUN FROM BACKUP BATTERY POWER, THE PUMP WILL KEEP RUNNING UNTIL BATTERY POWER USED OUT. THEN THE PUMP WILL SWITCH TO SOLAR WORKING MODE AUTOMATICALLY, IT WILL RE-START UP WHEN THE SUN COMES OUT AGAIN.

2. THE BATTERY INDICATOR(BESIDE ON/OFF BUTTON) WILL BE GREEN LIGHT ON WHEN PUMP WORKS NORMALLY.

3. THE BATTERY INDICATOR(BESIDE ON/OFF BUTTON) WILL BE RED LIGHT ON WHEN BATTERY USED OUT.

4. THE BATTERY INDICATOR(BESIDE ON/OFF BUTTON) WILL BE ORANGE LIGHT ON WHEN CHARGING THE BATTERY WITH AN AC/DC ADAPTOR (SOLD SEPARATELY), THE ORANGE LIGHT WILL BE OFF AFTER CHARGED.

5. THE LED LIGHTS ONLY WORK AT NIGHT WHEN THE PUMP IS TURNED ON.

6. IF YOU WANT YOUR PUMP RUN LONGER TIME IN THE EVENING, SUGGEST TO TURN OFF THE PUMP DURING DAY, LET ALL SOLAR POWER GO FOR CHARGING BATTERIES.

7. ALTHOUGH THERE MAY BE SOME INITIAL CHARGE IN BATTERIES, WE RECOMMEND FULLY CHARGING THEM BEFORE FIRST USE. TURN OFF THE PUMP AND LEAVE THE SOLAR PANEL IN GOOD SUNLIGHT FOR AT LEAST 6 HOURS TO HAVE THE BATTERIES CHARGED AS FAR AS POSSIBLY.

MAINTENANCE OF BATTERY:

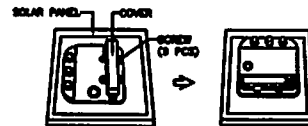
* RECHARGABLE BATTERY PACK BECOME LESS EFFICIENT WITH REPEATED CHARGE AND DISCHARGE CYCLES, THE CAPACITY OF THE BATTERY PACK MAY REDUCE OVER TIME. IF YOU FIND THAT THE BATTERY PACK APPEAR LESS EFFICIENT, TRY TO BOOST CHARGE IT. TO DO THIS, LEAVE OFF THIS FOUNTAIN FOR 2~3 DAYS IN SUNNY DAYS TO ALLOW MAXIMUM CHARGE TO BATTERY PACK.

WE RECOMMEND THAT YOU DO THIS OCCASIONALLY TO HELP PROLONG THE LIFE OF BATTERY PACK. IF YOUR BATTERY PACK STILL DOES NOT WORK WELL AFTER THIS BOOST CHARGE, YOU SHOULD REPLACE THE BATTERY PACK AS BELOW.

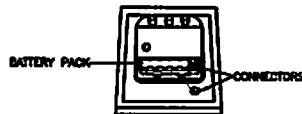
** AFTER THE BATTERY PACK USED FOR 12~18 MONTHS, IT MAY HAVE REACHED IT'S SERVICE LIFE, YOU SHOULD REPLACE THE BATTERY PACK.

HOW TO REPLACE THE BATTERY:
NI-MH 4PC 1.2V/1.8AH

1. REMOVE LED LIGHT PLUG AND PUMP PLUG FROM SOLAR PANEL.
2. REMOVE COVER FROM SOLAR PANEL BY UNSCREWING (6) SCREWS.



3. DISCONNECT THE CONNECTORS, THEN REPLACE THE OLD BATTERY PACK WITH A NEW BATTERY PACK AND JOIN THE CONNECTORS TOGETHER.



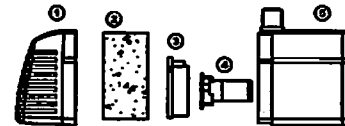
4. SECURE THE COVER TO SOLAR PANEL WITH THE (6) SCREWS REMOVED ABOVE.

MODEL: SL73082 2-TIER PINEAPPLE
OPERATE INSTRUCTIONS
READ AND SAVE THESE INSTRUCTIONS



MAINTENANCE OF PUMP

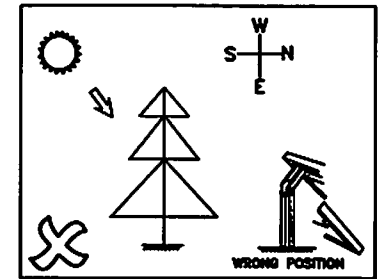
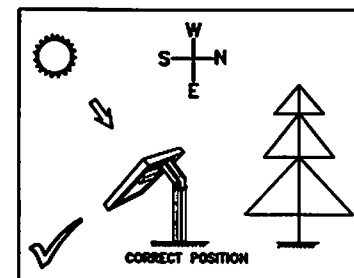
IF YOU FIND THE PUMP START LOSING POWER OR STOP WORKING, PLEASE CLEAN THE PUMP FILTER AND IMPELLER WITH WATER.



- ① FRONT CASE
- ② FILTER
- ③ IMPELLER COVER
- ④ IMPELLER
- ⑤ PUMP

HOW TO POSITION THE SOLAR PANEL CORRECTLY

INSERT THE SPIKE INTO THE GROUND. POSITION THE SOLAR PANEL TO FACE SOUTH (In Northern Hemisphere) AS MUCH AS POSSIBLE TO MAKE THE MOST OF THE DAYLIGHT HOURS. IT IS IMPORTANT TO ANGLE THE SOLAR PANEL TO FACE SUN WHEN SUN IS AT ITS HIGHEST POINT. ENSURE THE SOLAR PANEL IS NOT SHADED BY TREES, SHRUBS OR BUILDINGS.



TROUBLE SHOOTING:

1. CHECK SOLAR PANEL IN CORRECT POSITION, RECEIVING DIRECT SUNLIGHT, NOT SHADED.
2. IF YOU FIND BATTERY INDICATOR RED LIGHT ON, PUMP IS NOT WORKING, THAT MEANS BATTERY LOW. PLEASE LEAVE SOLAR PANEL IN SUNSHINE TO CHARGE THE BATTERIES.
3. CHECK WATER LEVEL, MAKE SURE THE PUMP IS FULLY SUBMERGED.
4. CHECK THE FOUNTAIN TUBING FOR KINKS AND OBSTRUCTIONS.
5. CHECK THE PUMP IMPELLER BLOCKED BY DEBRIS
6. THE PUMP MAY BE "AIR LOCKED", PLUG AND UNPLUG THE PUMP SEVERAL TIMES TO CLEAR ANY AIR THAT MAY HAVE BEEN TRAPPED.

WINTER PROTECT

INDOOR STORAGE IS RECOMMENDED FOR THE WINTER IN HARSH CLIMATES.

IN ORDER TO KEEP THE BATTERIES HEALTHY DURING LONG TIME STORAGE WE RECOMMEND YOU TO CHARGE THE BATTERIES BEFORE WINTER STORAGE.