

FLEXSTEEL®

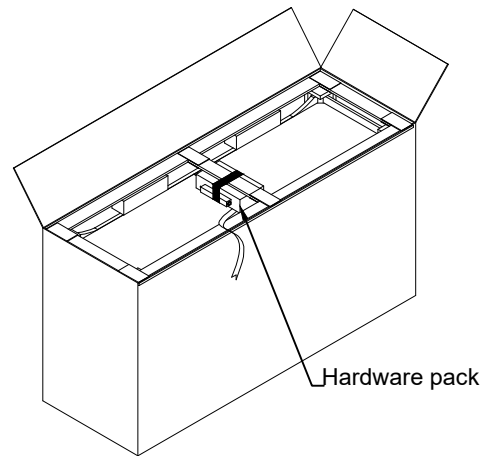
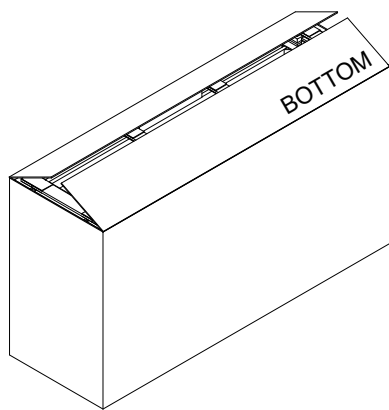
W1020-860

Dresser

IMPORTANT

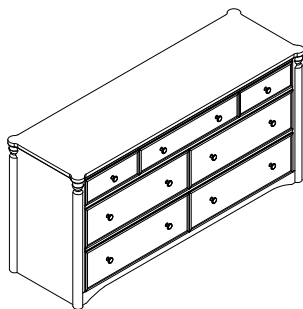
Carefully remove all parts from the carton, and put them individually on a soft cloth to prevent damage to the parts.

We have taken great care in the design of this product and request that you carefully and accurately follow our assembly instructions to ensure proper set-up.



Part List

Assembly Instructions 1/3



A. Box
1 piece

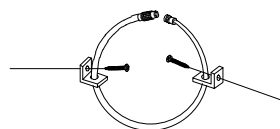


B. Leg
4 pieces



C. Support Leg
1 piece

Hardware List



Tip Restraint Kit
1 set

FLEXSTEEL®

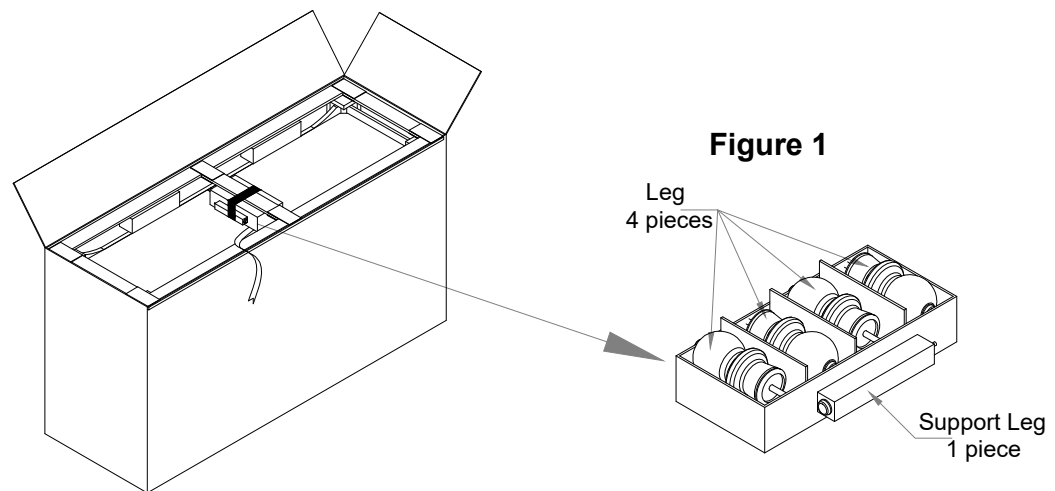
Assembly Instructions 2/3

IMPORTANT NOTES

- Use a soft cloth between these parts and the floor.
- We recommend this product be assembled by at least two adults.

STEP 1

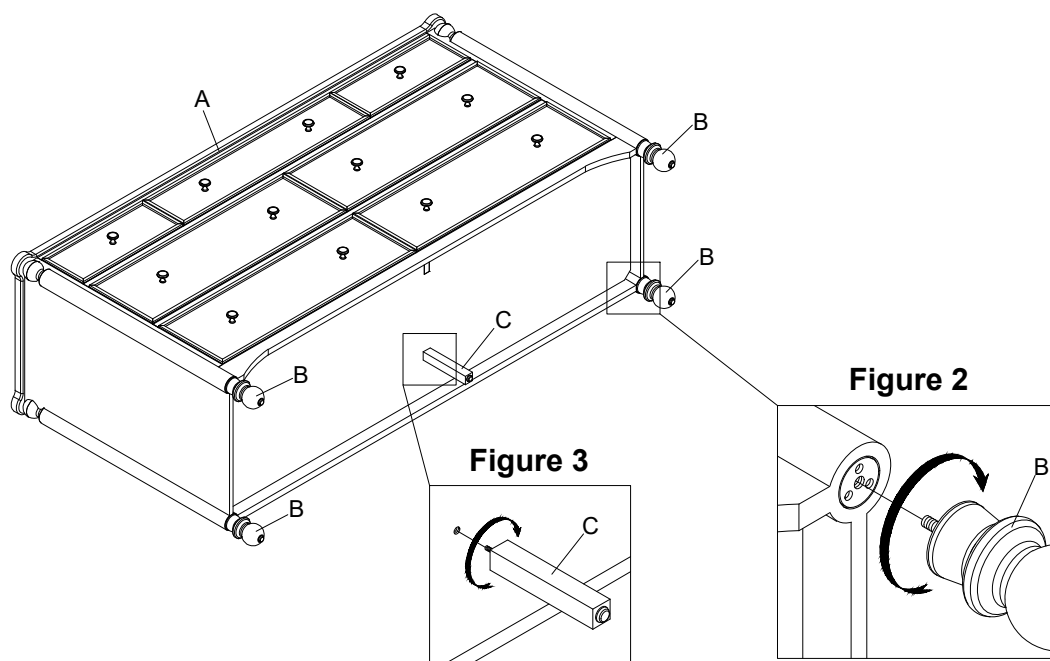
Open carton box from the bottom, and take out the assembly parts where it is located - Leg (B), Support Leg (C). (See Figure 1)



STEP 2

Connect the Legs (B) to the Box (A) by turning the legs clockwise by hand until tight. (See Figure 2)

Connect the Support Leg (C) to the Box (A) by turning the leg clockwise by hand until tight. (See Figure 3)



FLEXSTEEL®

Assembly Instructions 3/3

STEP 3

Flip the Dresser upright. Adjust the levelers on the legs until the furniture is leveled. (See Figure 4)
The drawers can be adjusted up or down as necessary using the adjustment knob under the drawers on the drawer glides. (See Figure 5)
Pull out the slide latch at the bottom of the drawer and lift the drawer up to remove it. (See Figure 6)

NOTE: There is a tip restraint kit provided on the back of this product. Take care to read the instructions thoroughly and install it immediately when placed in the home.

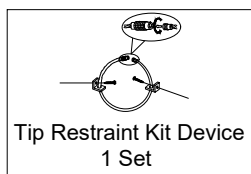
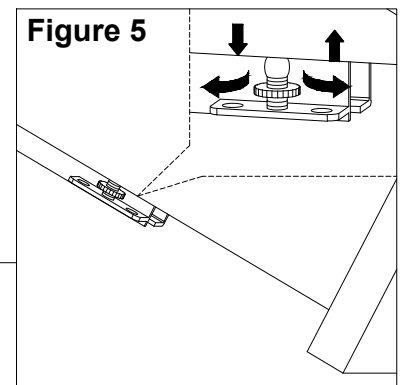
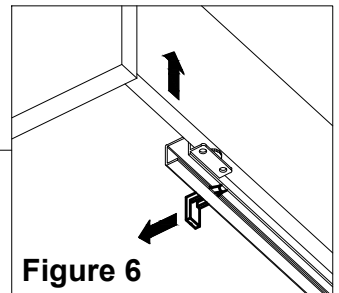
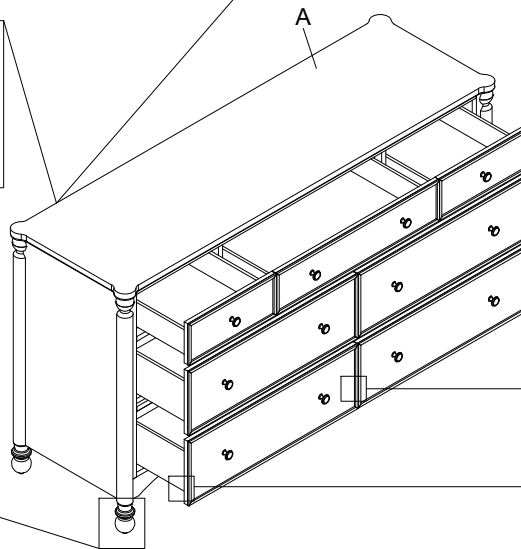
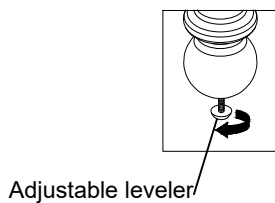


Figure 4



CARE INSTRUCTIONS

- To avoid scratches, do not place sharp or jagged objects directly on the dresser.
- Do not place hot items directly on the dresser.
- Use placemats or trivets under hot items and coasters under beverages to prevent marks and stains.
- Avoid the use of harsh chemicals or abrasive cleaning materials.
- Wipe the dresser clean with a soft, dry cloth after each use.
- Wipe up spills quickly with a soft, dry cloth.

Flexsteel Industries, Inc.

For Parts or Customer Service call
toll-free:

1-888-415-3979

Monday-Friday

8:00 a.m. -5:00 p.m.

(Central Time)

Email:

customersolutions@flexsteel.com

www.flexsteel.com