



BASS10 USER'S MANUAL

**10" (254 mm) LOW PROFILE
AMPLIFIED SUBWOOFER**

BOSS Audio Systems
3451 Lunar Court - Oxnard, CA 93030
www.bossaudio.com
805-751-4853 Customer Service
Tech Support: www.bossaudio.com/support



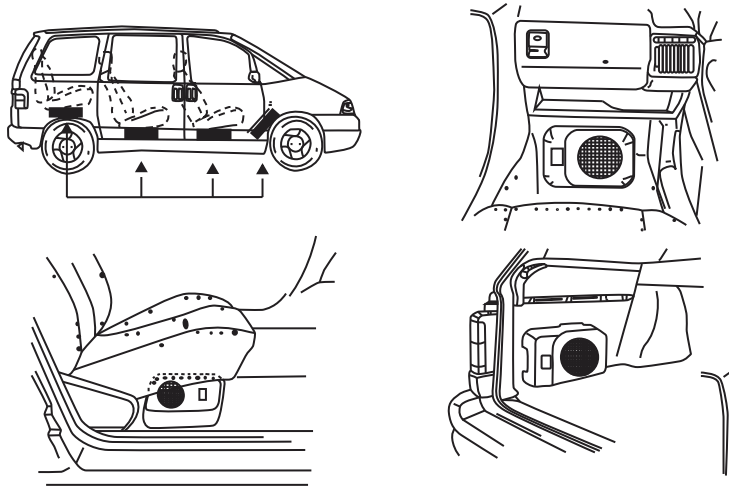
0820



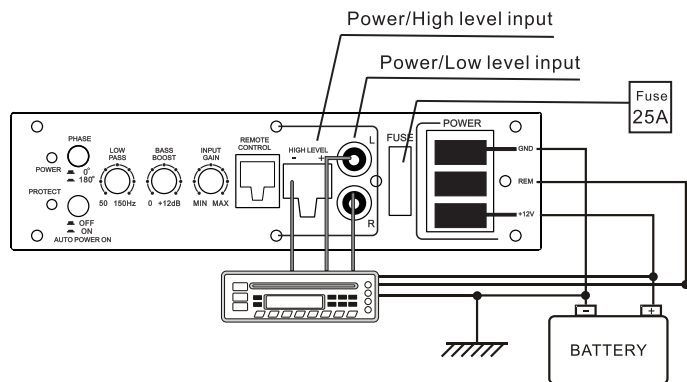
Technical specifications

Maximum output power	1000W
Output impedance	2.6Ω
Frequency	30~150Hz
S/N(A)	90dB
Maximum Current Consumption	(12A)RCA input 80mV
Sensitivity(Distortion level 1%)	Speaker input 0.8V
Voltage	14.4V (10v~16V)

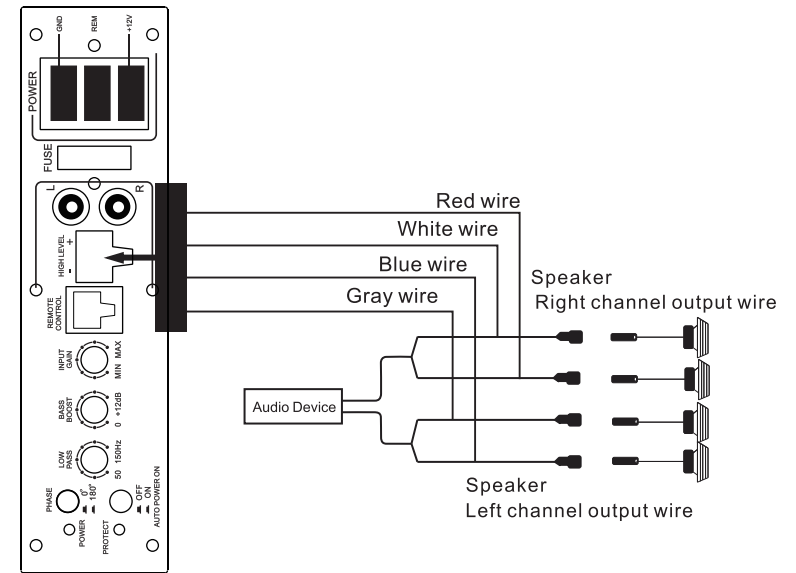
Suggestion of subwoofer placement



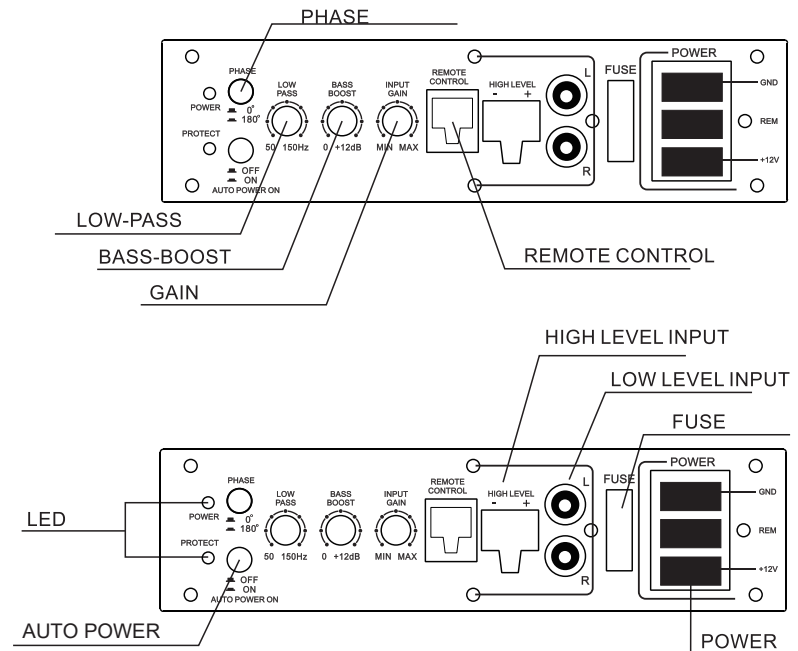
Increase the function that when hi input, the woofer power will automatically turn on/off.



Wiring Diagram



Wiring Diagram 1(High level input)



Functions Controlling Diagram