

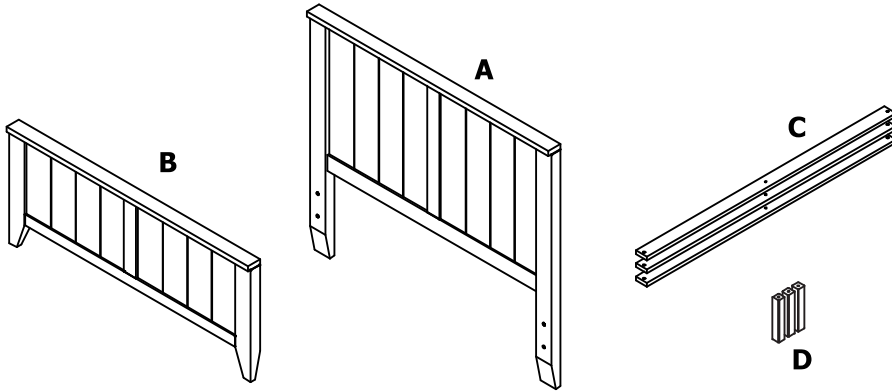
CORINTH FULL / QUEEN BED

ASSEMBLY INSTRUCTIONS



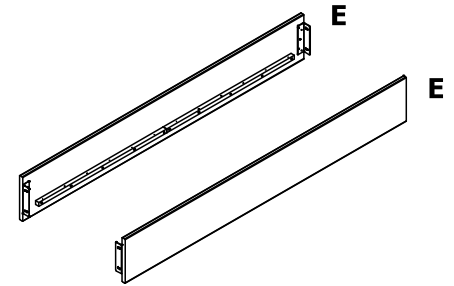
BOX #1

- A. HEADBOARD 1 PC
- B. FOOTBOARD 1 PC
- C. BED SLAT 3 PCS
- D. LEG SUPPORT 3 PCS

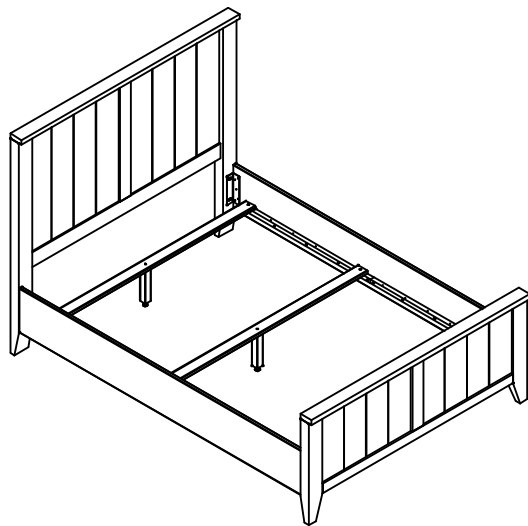


BOX #2

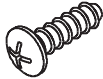


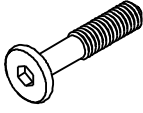
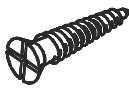
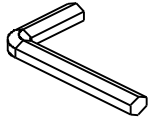
- E. SIDE RAIL 2 PCS
- BED HARDWARE BOX*



CORINTH BED ASSEMBLED

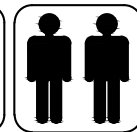
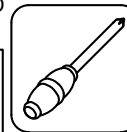


BED HARDWARE PACKED IN BOX #2

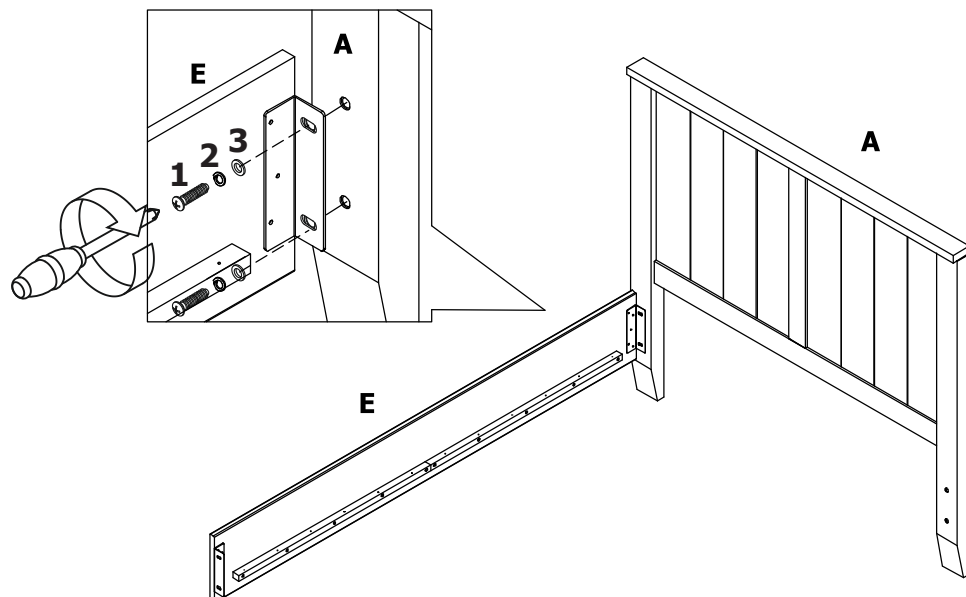
1	PHILLIPS HEAD BOLT (8x20mm)	8 PCS	2	SPRING WASHER (M8)	8 PCS	3	FLAT WASHER (M8)	8 PCS
								
4	ALLEN BOLT (6x40mm)	4 PCS	5	WOOD SCREW (8x30mm)	7 PCS	6	ALLEN KEY	1 PC
								

TOOL REQUIRED : PHILLIPS HEAD SCREWDRIVER (NOT PROVIDED)

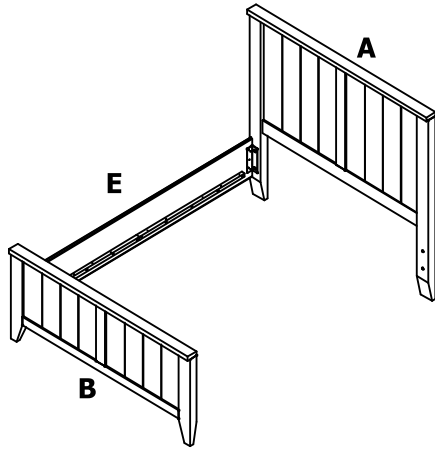
YOUR BOX MAY CONTAIN EXTRA HARDWARE



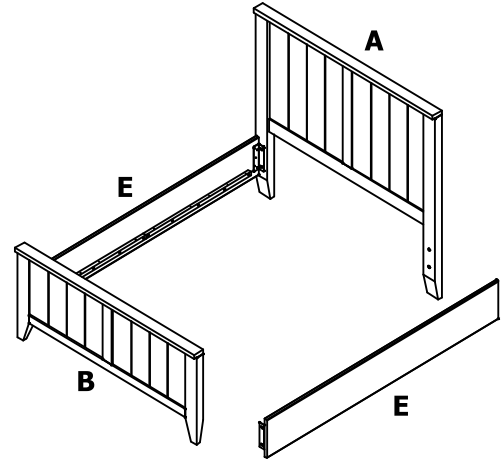
STEP 1 :



STEP 2 :



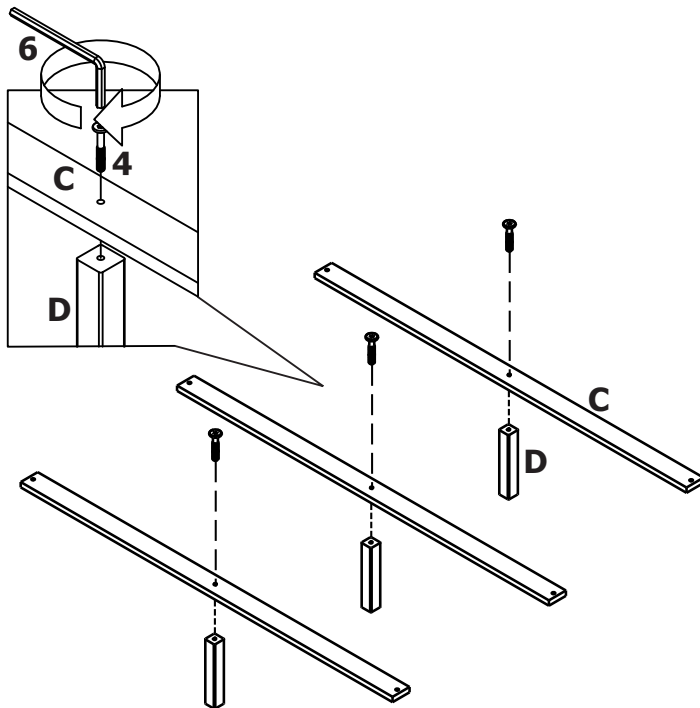
STEP 3 :



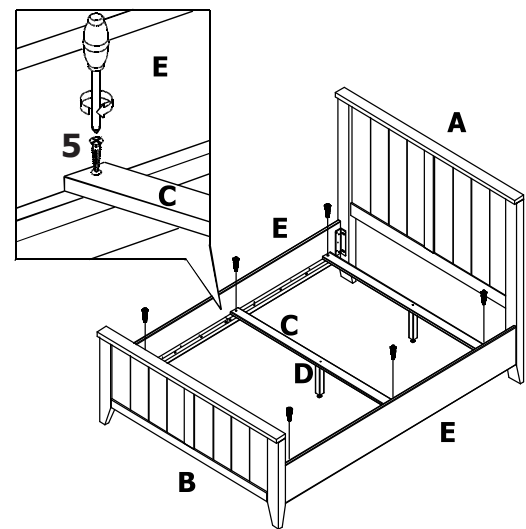
STOP

- IF USING BED FRAME WITH ADJUSTABLE MATTRESS BASE, SKIP TO APPENDIX A: ADJUSTABLE MATTRESS BASE ASSEMBLY SUPPLEMENT.
- IF USING BED FRAME WITH STANDARD BOX SPRING OR FOUNDATION CONTINUE TO STEP 4.

STEP 4 :



STEP 5 :

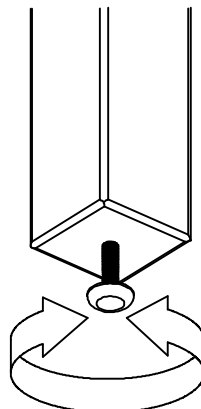


INSTRUCTIONS FOR ADJUSTING LEVELERS :

POSITION THE BED IN YOUR ROOM. LOCATE LEVELERS UNDER EACH LEG SUPPORT (D).

TURN LEVELERS COUNTER-CLOCKWISE TO EXTEND, CLOCKWISE TO RETRACT.

ADJUST LEVELERS UNTIL EACH LEG SUPPORT IS APPLYING EQUAL UPWARD PRESSURE ON THE BED SLAT.



MAINTENANCE INSTRUCTIONS :

- REMOVE BOX SPRING AND MATTRESS BEFORE MOVING YOUR BED.
- LIFT YOUR BED WHEN MOVING IT. DRAGGING CAN DAMAGE LEG SUPPORT.
- READJUST LEVELERS AFTER MOVING YOUR BED.

CORINTH FULL / QUEEN BED

APPENDIX A: ADJUSTABLE MATTRESS BASE ASSEMBLY SUPPLEMENT



AN ADJUSTABLE MATTRESS BASE IS A FREESTANDING MATTRESS SUPPORT THAT SITS WITHIN THE PERIMETER OF THE BED FRAME.

IF USING THIS BED FRAME WITH A STANDARD BOX SPRING OR FOUNDATION THESE INSTRUCTIONS DO NOT APPLY.

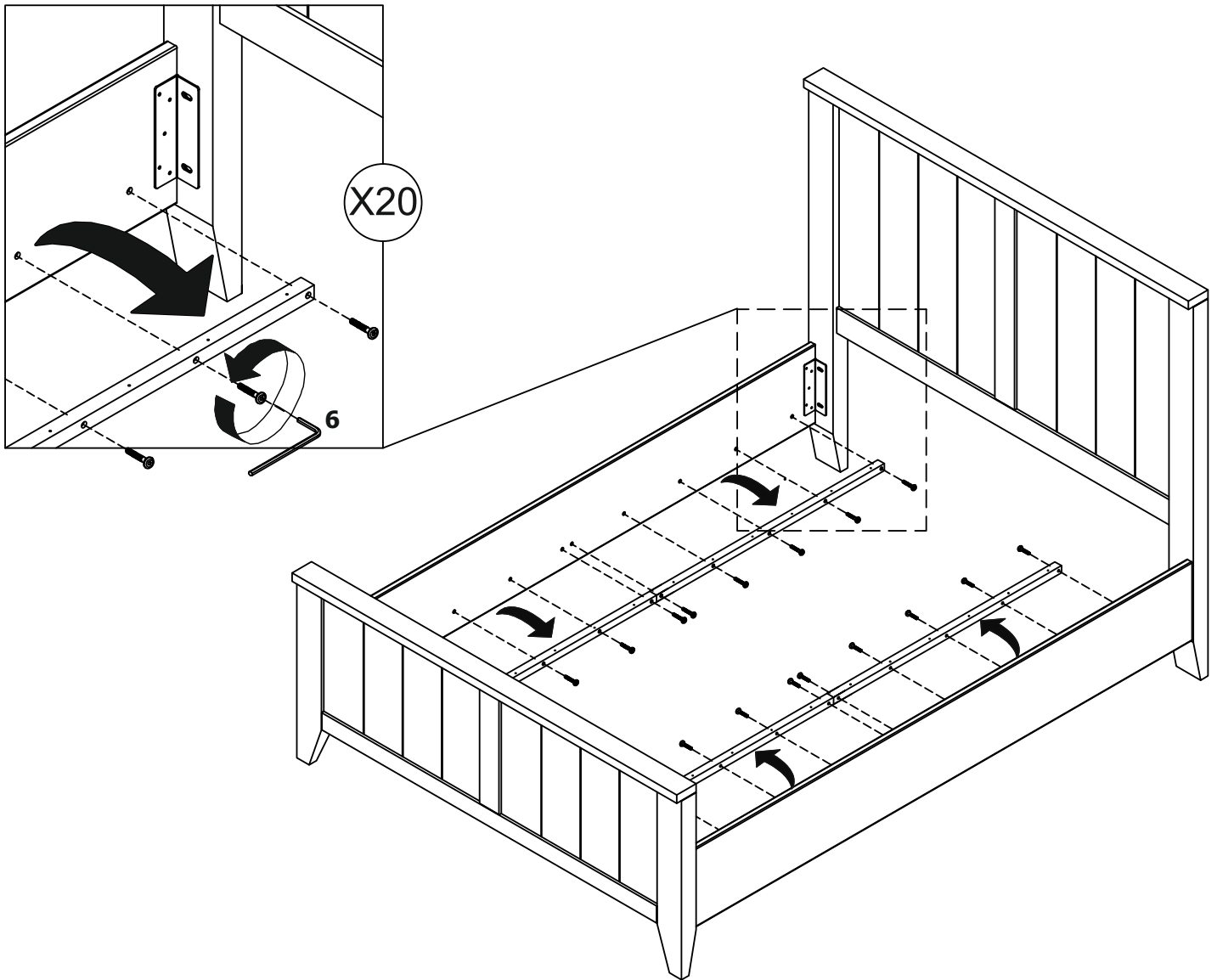
PRE-ASSEMBLED SIDE RAIL CLEATS OBSTRUCT ADJUSTABLE BASE INSTALLATION AND OPERATION. FOLLOW THESE INSTRUCTIONS TO REMOVE THEM.

THE FOLLOWING PARTS ARE NOT REQUIRED FOR ADJUSTABLE MATTRESS BASE INSTALLATION:

C. BED SLAT	3 PCS	4. ALLEN BOLT (6x40mm)	4 PCS
D. LEG SUPPORT	3 PCS	5. WOOD SCREW (8x30mm)	7 PCS

STEP 1 :

USE ALLEN KEY (6) TO UNSCREW ALLEN BOLTS AND REMOVE PRE-ASSEMBLED SIDE RAIL CLEATS.



NOTE: YOU MAY WISH TO RETAIN UNUSED PARTS IF IN THE FUTURE YOU INTEND TO USE THE BED FRAME WITH A STANDARD BOX SPRING OR FOUNDATION.

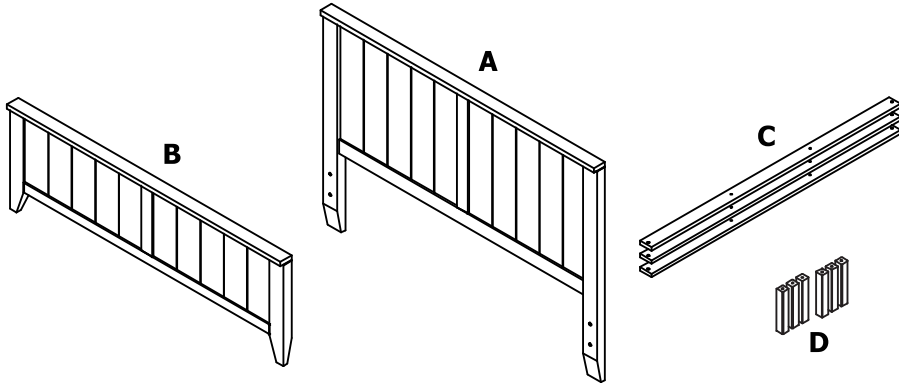
CORINTH KING BED

ASSEMBLY INSTRUCTIONS



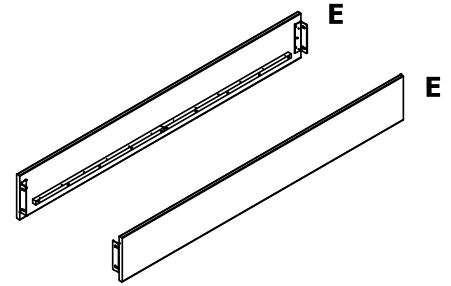
BOX #1

- A. HEADBOARD 1 PC
- B. FOOTBOARD 1 PC
- C. BED SLAT 3 PCS
- D. LEG SUPPORT 6 PCS

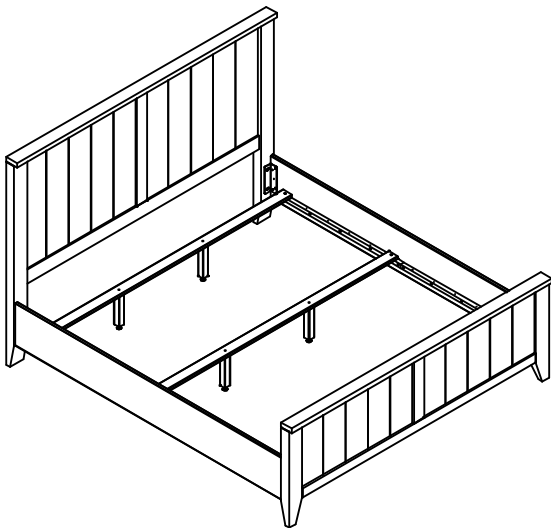


BOX #2

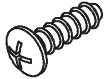


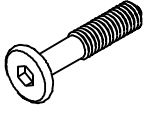

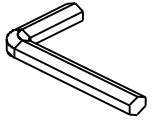
- E. SIDE RAIL 2 PCS
- BED HARDWARE BOX*



CORINTH BED ASSEMBLED

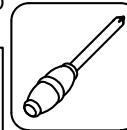


BED HARDWARE PACKED IN BOX #2

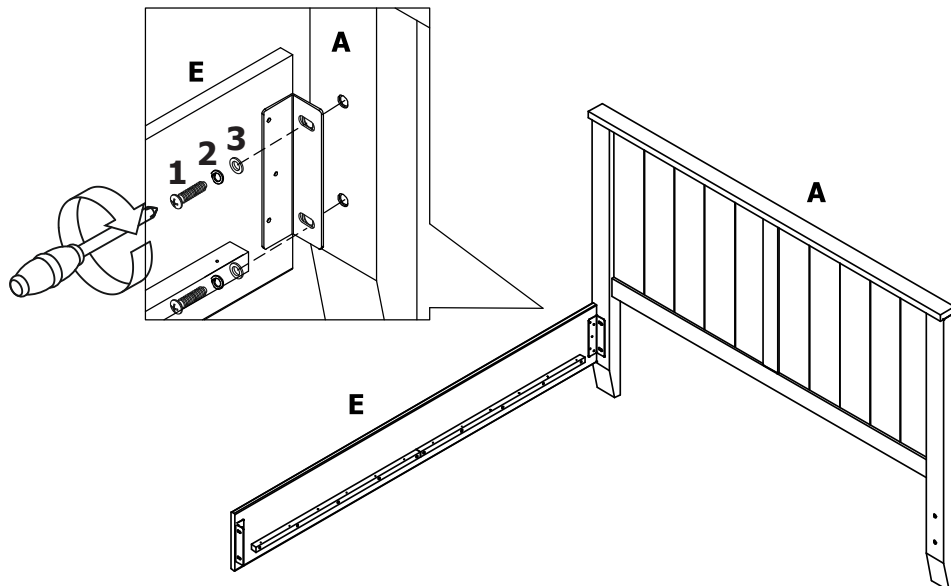
1	PHILLIPS HEAD BOLT(8x20mm)	8 PCS	2	SPRING WASHER (M8)	8 PCS	3	FLAT WASHER (M8)	8 PCS
								
4	ALLEN BOLT (6x40mm)	7 PCS	5	WOOD SCREW (8x30mm)	7 PCS	6	ALLEN KEY	1 PC
								

TOOL REQUIRED : PHILLIPS HEAD SCREWDRIVER (NOT PROVIDED)

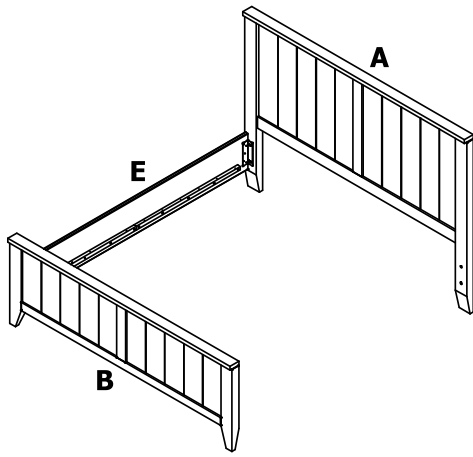
**YOUR BOX
MAY CONTAIN
EXTRA HARDWARE**



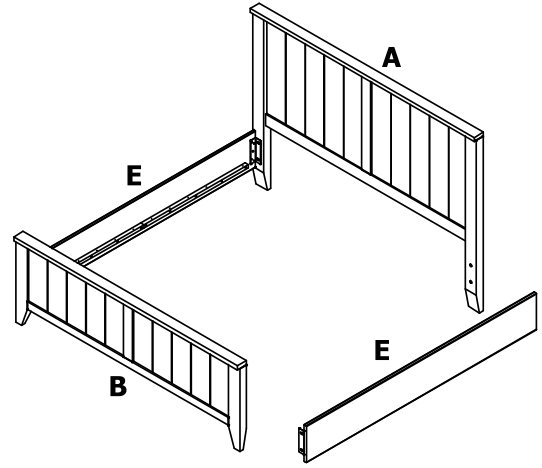
STEP 1 :



STEP 2 :



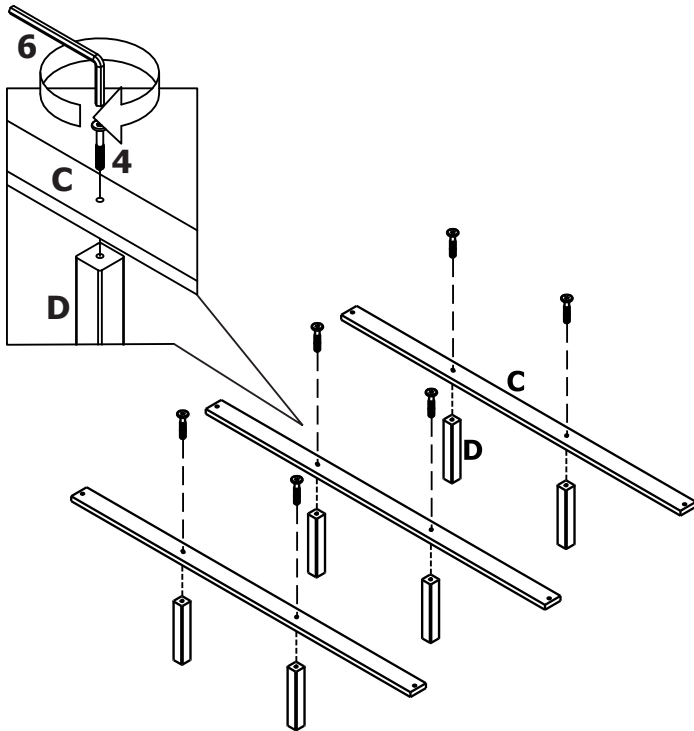
STEP 3 :



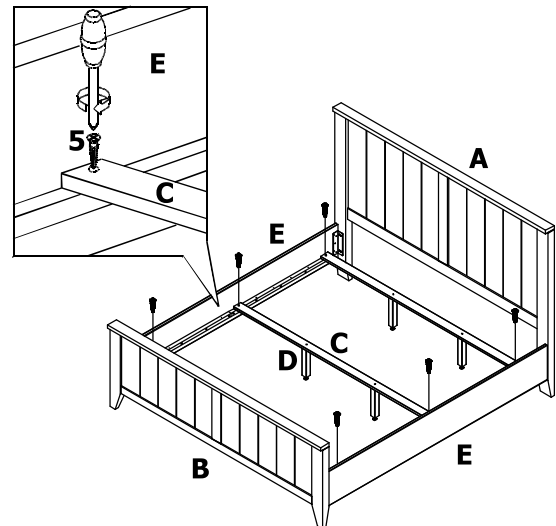
STOP

- IF USING BED FRAME WITH ADJUSTABLE MATTRESS BASE, SKIP TO APPENDIX A: ADJUSTABLE MATTRESS BASE ASSEMBLY SUPPLEMENT.
- IF USING BED FRAME WITH STANDARD BOX SPRING OR FOUNDATION CONTINUE TO STEP 4.

STEP 4 :



STEP 5 :

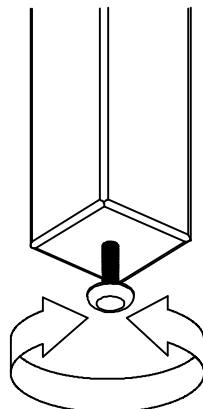


INSTRUCTIONS FOR ADJUSTING LEVELERS :

POSITION THE BED IN YOUR ROOM. LOCATE LEVELERS UNDER EACH LEG SUPPORT (D).

TURN LEVELERS COUNTER-CLOCKWISE TO EXTEND, CLOCKWISE TO RETRACT.

ADJUST LEVELERS UNTIL EACH LEG SUPPORT IS APPLYING EQUAL UPWARD PRESSURE ON THE BED SLAT.



MAINTENANCE INSTRUCTIONS :

- REMOVE BOX SPRING AND MATTRESS BEFORE MOVING YOUR BED.
- LIFT YOUR BED WHEN MOVING IT. DRAGGING CAN DAMAGE LEG SUPPORT.
- READJUST LEVELERS AFTER MOVING YOUR BED.

CORINTH KING BED

APPENDIX A:ADJUSTABLE MATTRESS BASE ASSEMBLY SUPPLEMENT



AN ADJUSTABLE MATTRESS BASE IS A FREESTANDING MATTRESS SUPPORT THAT SITS WITHIN THE PERIMETER OF THE BED FRAME.

IF USING THIS BED FRAME WITH A STANDARD BOX SPRING OR FOUNDATION THESE INSTRUCTIONS DO NOT APPLY.

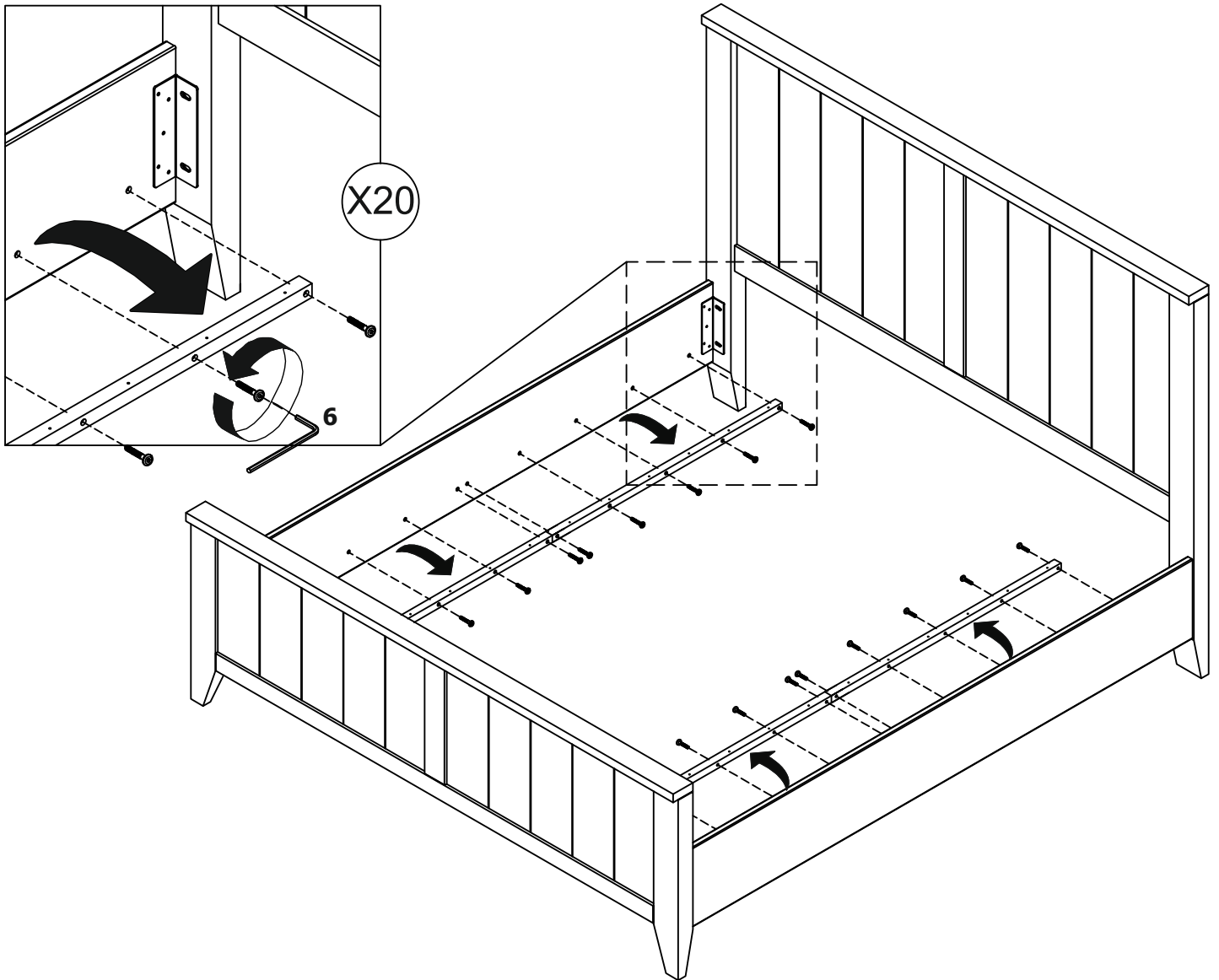
PRE-ASSEMBLED SIDE RAIL CLEATS OBSTRUCT ADJUSTABLE BASE INSTALLATION AND OPERATION. FOLLOW THESE INSTRUCTIONS TO REMOVE THEM.

THE FOLLOWING PARTS ARE NOT REQUIRED FOR ADJUSTABLE MATTRESS BASE INSTALLATION:

C. BED SLAT	3 PCS	4. ALLEN BOLT (6x40mm)	7 PCS
D. LEG SUPPORT	6 PCS	5. WOOD SCREW (8x30mm)	7 PCS

STEP 1 :

USE ALLEN KEY (6) TO UNSCREW ALLEN BOLTS AND REMOVE PRE-ASSEMBLED SIDE RAIL CLEATS.



NOTE: YOU MAY WISH TO RETAIN UNUSED PARTS IF IN THE FUTURE YOU INTEND TO USE THE BED FRAME WITH A STANDARD BOX SPRING OR FOUNDATION.

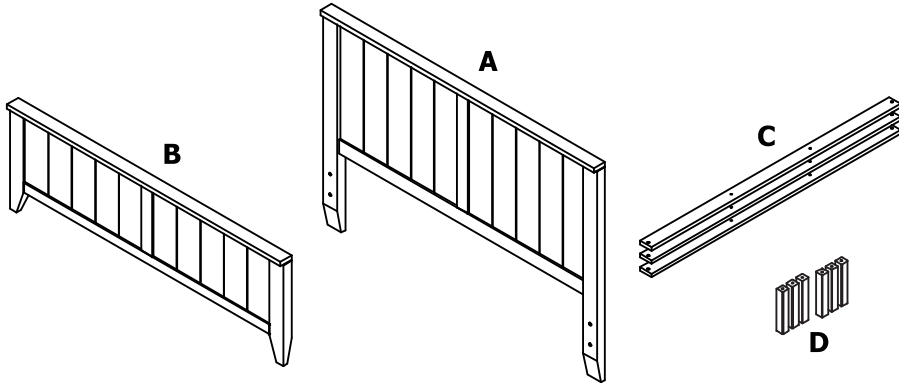
CORINTH KING BED

ASSEMBLY INSTRUCTIONS



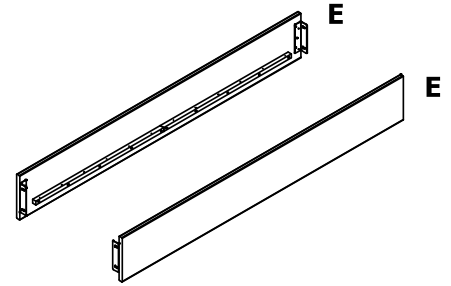
BOX #1

- A. HEADBOARD 1 PC
- B. FOOTBOARD 1 PC
- C. BED SLAT 3 PCS
- D. LEG SUPPORT 6 PCS

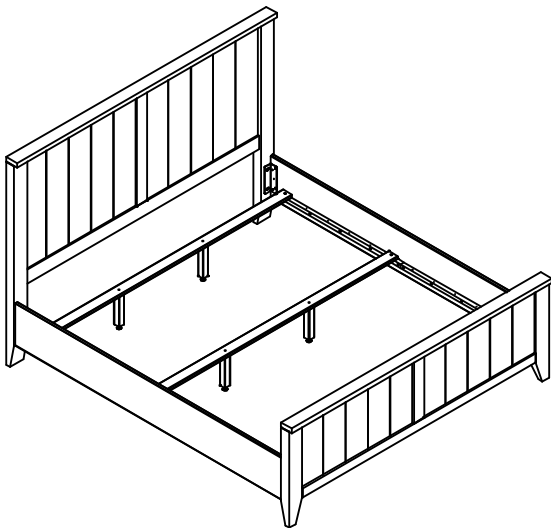


BOX #2

- E. SIDE RAIL 2 PCS
- BED HARDWARE BOX*



CORINTH BED ASSEMBLED

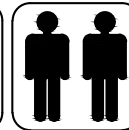
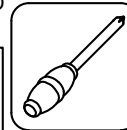


BED HARDWARE PACKED IN BOX #2

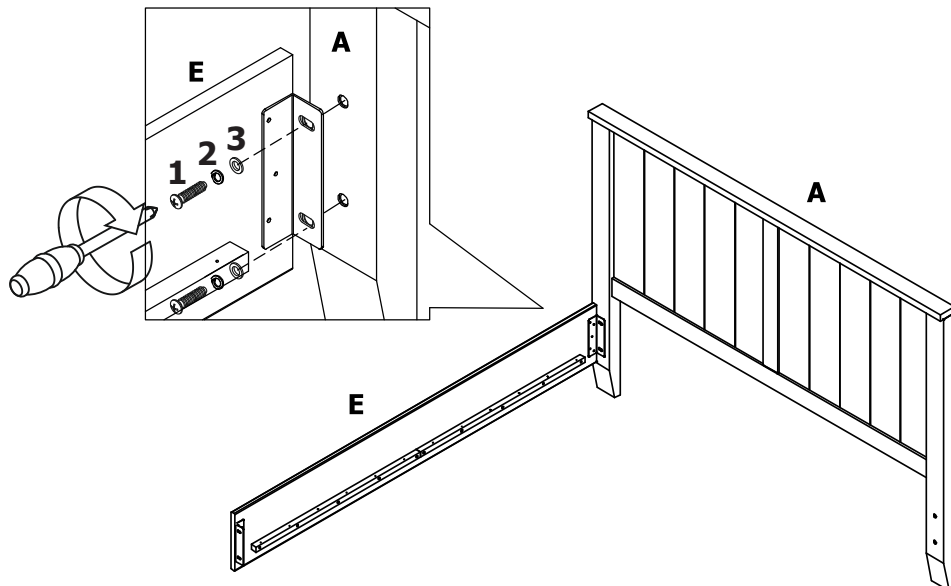
1	PHILLIPS HEAD BOLT (8x20mm)	8 PCS	2	SPRING WASHER (M8)	8 PCS	3	FLAT WASHER (M8)	8 PCS
4	ALLEN BOLT (6x40mm)	7 PCS	5	WOOD SCREW (8x30mm)	7 PCS	6	ALLEN KEY	1 PC

TOOL REQUIRED : PHILLIPS HEAD SCREWDRIVER (NOT PROVIDED)

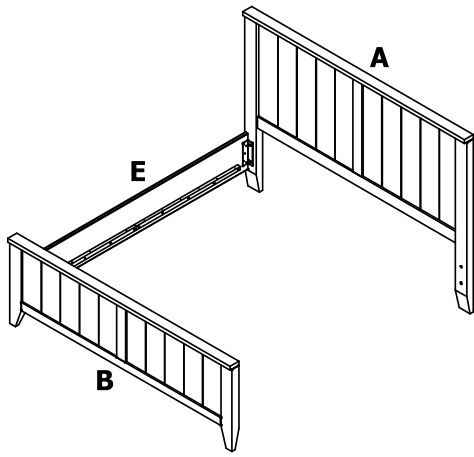
**YOUR BOX
MAY CONTAIN
EXTRA HARDWARE**



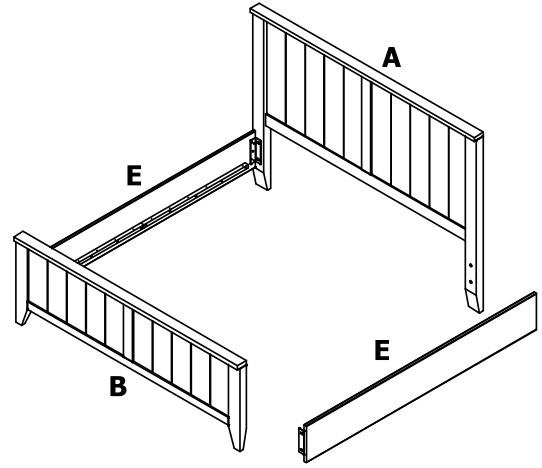
STEP 1 :



STEP 2 :



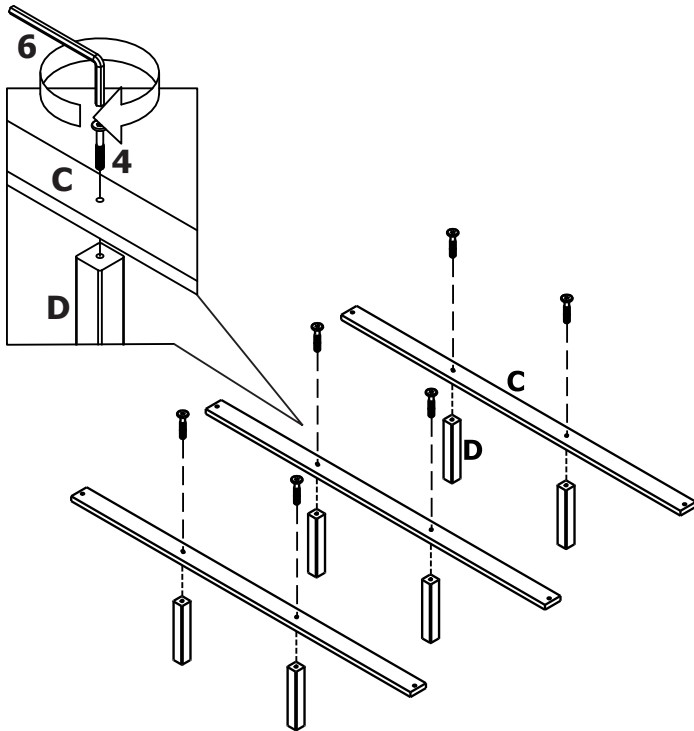
STEP 3 :



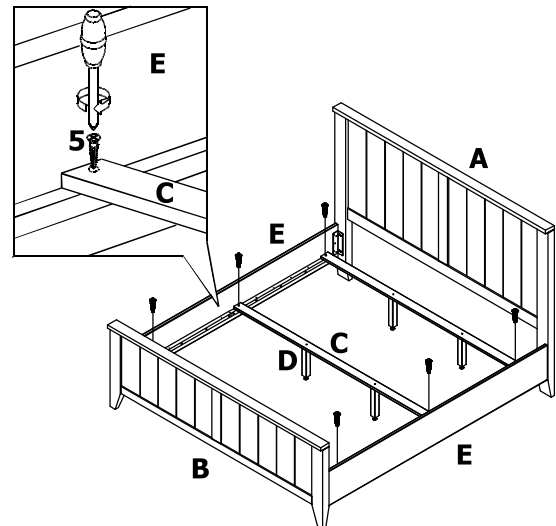
STOP

- IF USING BED FRAME WITH ADJUSTABLE MATTRESS BASE, SKIP TO APPENDIX A: ADJUSTABLE MATTRESS BASE ASSEMBLY SUPPLEMENT.
- IF USING BED FRAME WITH STANDARD BOX SPRING OR FOUNDATION CONTINUE TO STEP 4.

STEP 4 :



STEP 5 :

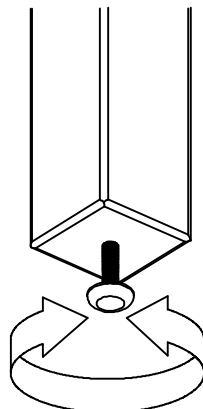


INSTRUCTIONS FOR ADJUSTING LEVELERS :

POSITION THE BED IN YOUR ROOM. LOCATE LEVELERS UNDER EACH LEG SUPPORT (D).

TURN LEVELERS COUNTER-CLOCKWISE TO EXTEND, CLOCKWISE TO RETRACT.

ADJUST LEVELERS UNTIL EACH LEG SUPPORT IS APPLYING EQUAL UPWARD PRESSURE ON THE BED SLAT.



MAINTENANCE INSTRUCTIONS :

- REMOVE BOX SPRING AND MATTRESS BEFORE MOVING YOUR BED.
- LIFT YOUR BED WHEN MOVING IT. DRAGGING CAN DAMAGE LEG SUPPORT.
- READJUST LEVELERS AFTER MOVING YOUR BED.

CORINTH KING BED

APPENDIX A: ADJUSTABLE MATTRESS BASE ASSEMBLY SUPPLEMENT



AN ADJUSTABLE MATTRESS BASE IS A FREESTANDING MATTRESS SUPPORT THAT SITS WITHIN THE PERIMETER OF THE BED FRAME.

IF USING THIS BED FRAME WITH A STANDARD BOX SPRING OR FOUNDATION THESE INSTRUCTIONS DO NOT APPLY.

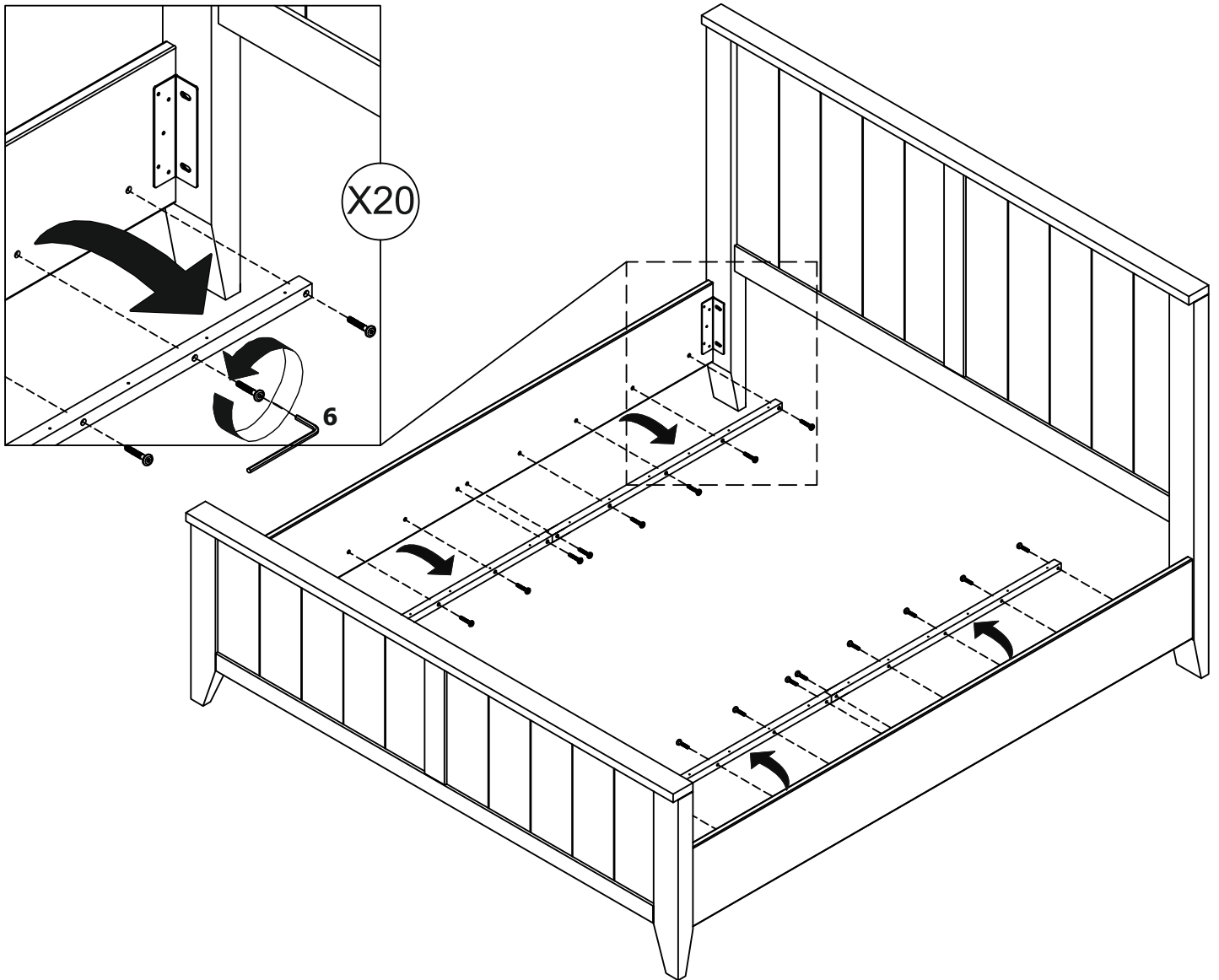
PRE-ASSEMBLED SIDE RAIL CLEATS OBSTRUCT ADJUSTABLE BASE INSTALLATION AND OPERATION. FOLLOW THESE INSTRUCTIONS TO REMOVE THEM.

THE FOLLOWING PARTS ARE NOT REQUIRED FOR ADJUSTABLE MATTRESS BASE INSTALLATION:

C. BED SLAT	3 PCS	4. ALLEN BOLT (6x40mm)	7 PCS
D. LEG SUPPORT	6 PCS	5. WOOD SCREW (8x30mm)	7 PCS

STEP 1 :

USE ALLEN KEY (6) TO UNSCREW ALLEN BOLTS AND REMOVE PRE-ASSEMBLED SIDE RAIL CLEATS.



NOTE: YOU MAY WISH TO RETAIN UNUSED PARTS IF IN THE FUTURE YOU INTEND TO USE THE BED FRAME WITH A STANDARD BOX SPRING OR FOUNDATION.