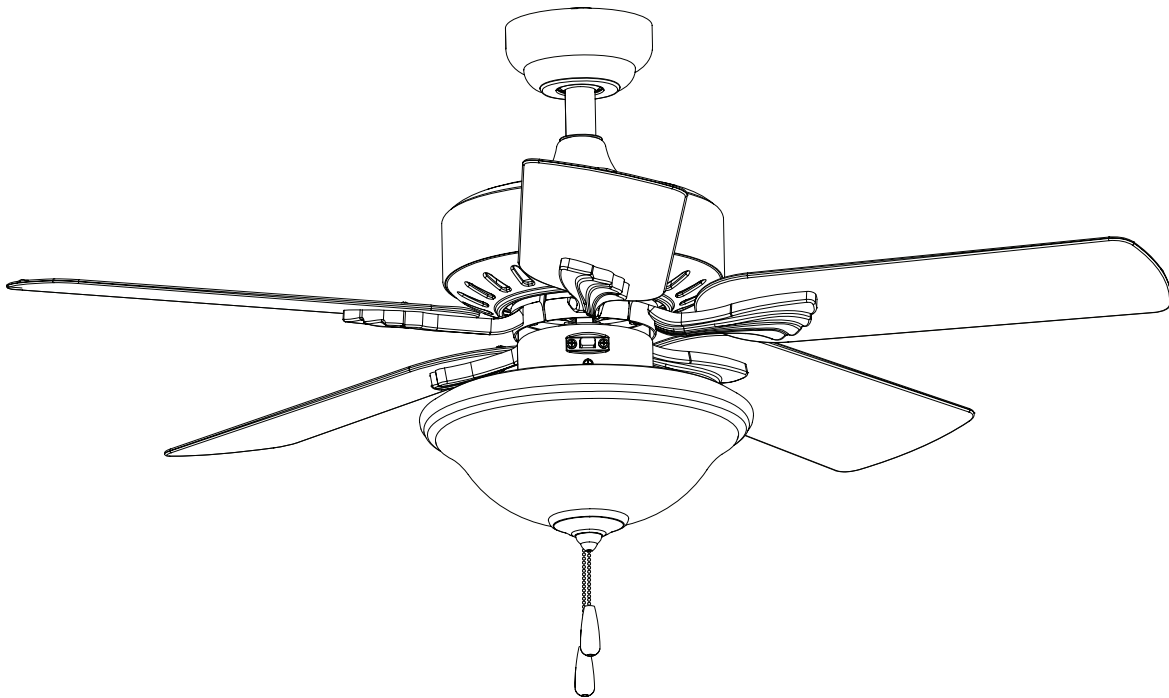


42" CEILING FAN

Owner's Manual

Models #51448, 51449

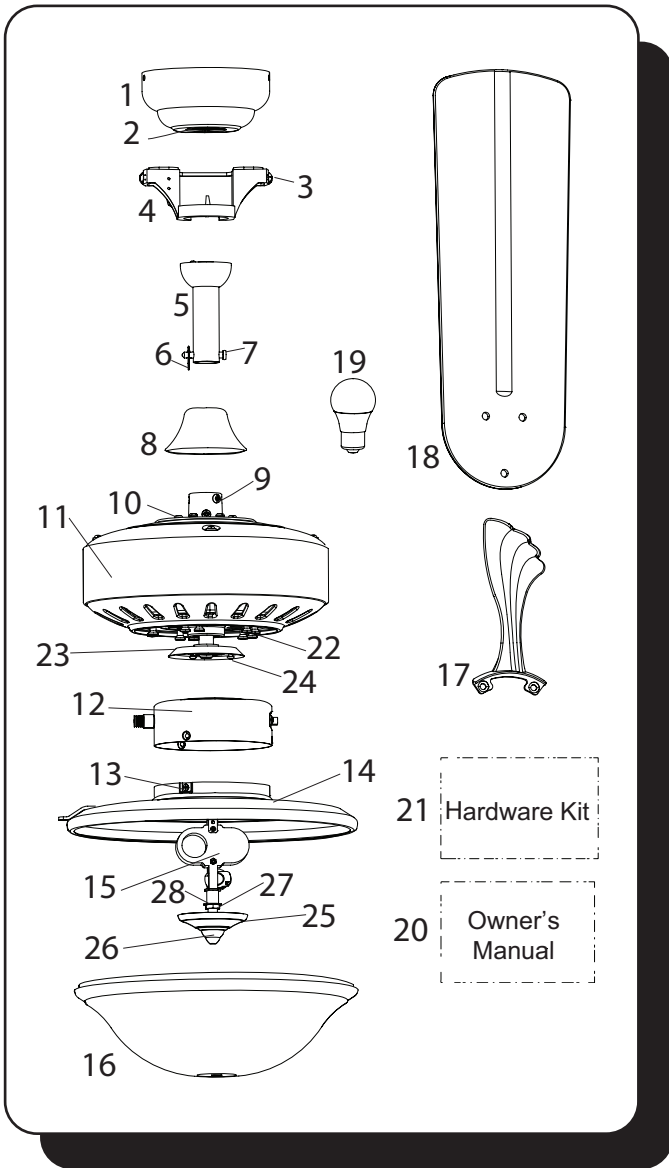


Intertek

**RATED FOR
WET LOCATION**

To obtain Service, please contact the Service Department:
1-877-706-3267, 8 a.m.-5 p.m. Central, Monday-Friday.

PACKAGE CONTENTS



Unpack your fan and check the contents. You should have the following items:

PACKAGE CONTENTS

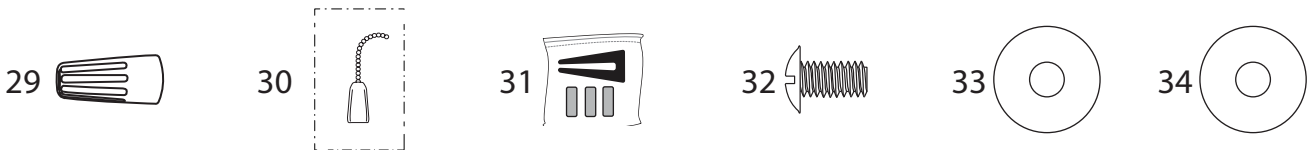
- | | |
|--------------------------------|------------------------------|
| 1. Canopy | 15. Light Kit |
| 2. Canopy Cover | 16. Glass Bowl |
| 3. Mounting Bracket Screw (x4) | 17. Blade Arm (x5) |
| 4. Mounting Bracket | 18. Blade (x5) |
| 5. Downrod | 19. E26-base LED Bulb (x2) |
| 6. Downrod Clip | 20. Owner's Manual |
| 7. Downrod Pin | 21. Hardware Kit |
| 8. Yoke Cover | 22. Motor Screw (x10) |
| 9. Set Screw (x2) | 23. Adapter Plate |
| 10. Closemount Screw (x3) | 24. Adapter Plate Screw (x3) |
| 11. Motor Assembly | 25. Finial Cap |
| 12. Switch Housing | 26. Finial |
| 13. Switch Housing Screw (x3) | 27. Hex Nut |
| 14. Hood | 28. Rubber Washer |

HARDWARE CONTENTS

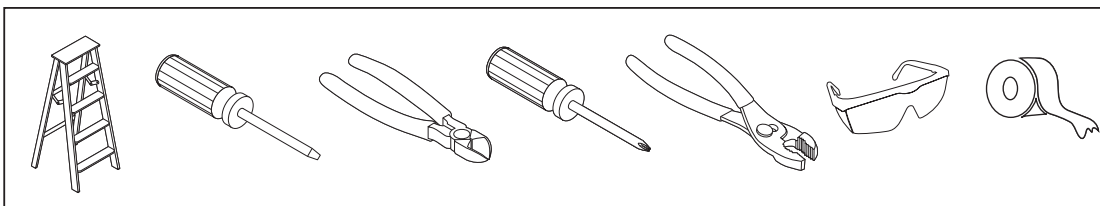
- | | |
|-------------------------------|-------------------------|
| 29. Wire Connector (x3) | 32. Blade Screw (x15) |
| 30. Pull Chain Extension (x2) | 33. Blade Washer (x15) |
| 31. Blade Balancing Kit | 34. Rubber Washer (x15) |

Note: Some extra hardware has been included. The quantity listed above is the number required for installation.

HARDWARE CONTENTS



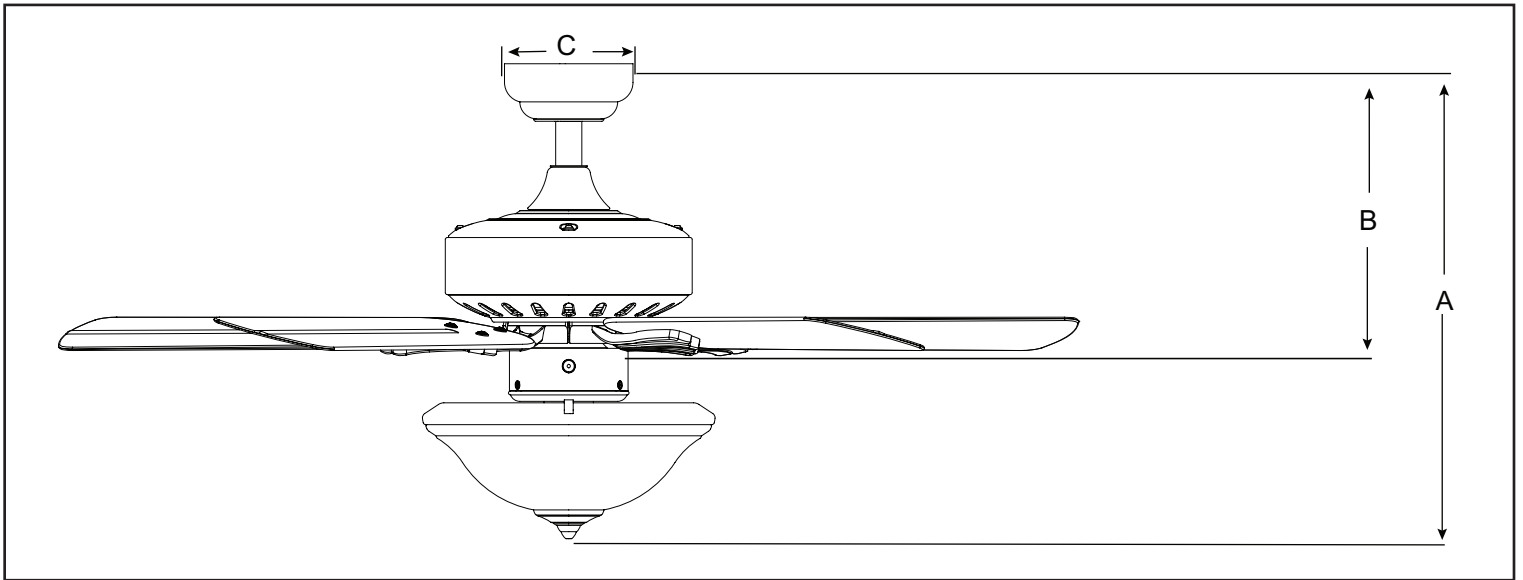
TOOLS REQUIRED (not included)



Tools required for assembly: Electrical tape, Phillips Screwdriver, Pliers, Safety Glasses, Step Ladder, Wire Cutters and Wire Strippers

Helpful Tools: AC Tester Light, Tape Measure, and Wiring Handbook

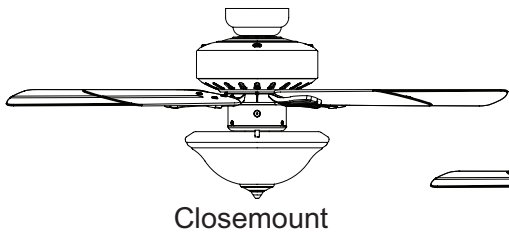
DIMENSION REFERENCE



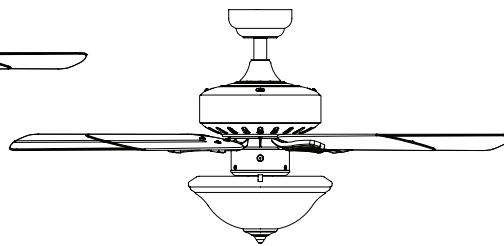
A. 18.95 in. B. 11.41 in. C.. 5.13 in.

MOUNTING OPTIONS

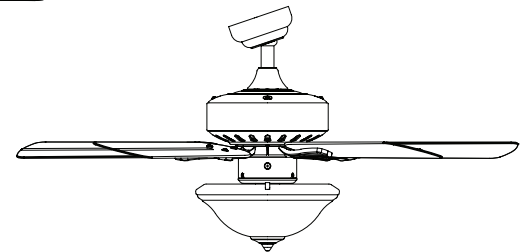
Three Mounting Options



Closemount



Downrod Mount



Angled Ceiling Mount (Up to 16 degrees)

Choose one of the following mounting options:

Closemount Installation is best suited for ceilings lower than 8 feet. It does not utilize the downrod.

Downrod Mount is best suited for ceilings 8 ft. or higher. For taller ceilings you may want to use a longer downrod (not included).

Angled Ceiling Mount is best suited for angled or vaulted ceilings. A longer downrod is sometimes necessary to ensure proper blade clearance from the ceiling. If using the angle mount, check to ensure the ceiling angle is not steeper than 16°.

SAFETY INSTRUCTIONS

READ ALL SAFETY INFORMATION AND INSTALLATION INSTRUCTIONS BEFORE YOU BEGIN INSTALLING THE FAN AND SAVE INSTRUCTIONS.

CAUTION:

- All set screws of the fan must be checked and retightened where necessary before installation.
- To reduce the risk of personal injury, do not bend the blade brackets when installing the brackets, balancing the blades or cleaning fan. Do not insert foreign objects in between rotating fan blades.
- Before changing the fan direction, turn off the fan and wait for the fan blades to stop completely.
- The safeguards provided by these safety instructions and by the separate installation instructions are not meant to cover all possible conditions and situations that may occur. It must be understood that common sense, caution and care are factors which can not be built into this product. These factors must be supplied by the person(s) installing, caring for and operating the fan.
- The fan weight is Net Weight: 16.69 lbs(7,57 kg). Be sure the outlet box (not included) is securely attached to the building structure and is marked "Acceptable For Fan Support". Failure to do so can result in serious injury.
- This device complies with part 15 of the FCC Rules. Operation is subject to the following two conditions: (1) This device may not cause harmful interference, and (2) this device must accept any interference received, including interference that may cause undesired operation.
- This equipment has been tested and found to comply with the limits for a Class B digital device, pursuant to Part 15 of the FCC Rules. These limits are designed to provide reasonable protection against harmful interference in a residential installation. This equipment generates, uses and can radiate radio frequency energy and, if not installed and used in accordance with the instructions, may cause harmful interference to radio communications. However, there is no guarantee that interference will not occur in a particular installation. If this equipment does cause harmful interference to radio or television reception, which can be determined by turning the equipment off and on, the user is encouraged to try to correct the interference by one or more of the following measures:
 - Reorient or relocate the receiving antenna.
 - Increase the separation between the equipment and receiver
 - Connect the equipment into and outlet on a circuit different from that to which the receiver is connected.
 - Consult the dealer or an experienced radio/TV technician for help.

Please note changes or modifications not expressly approved by the party responsible for compliance could void the user's authority to operate the equipment.

HKC-US

3350 Player's Club Parkway, #225

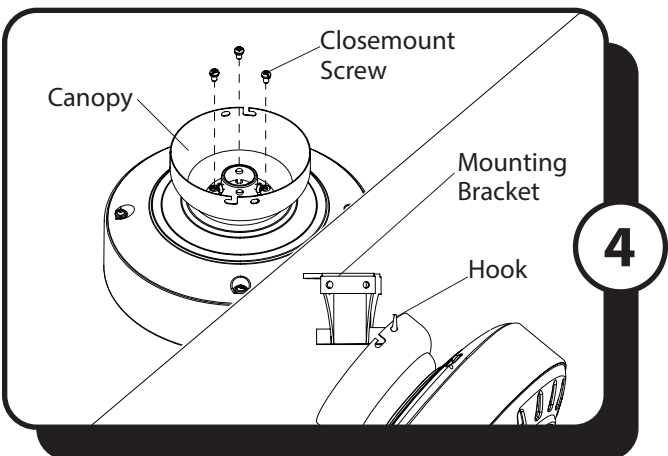
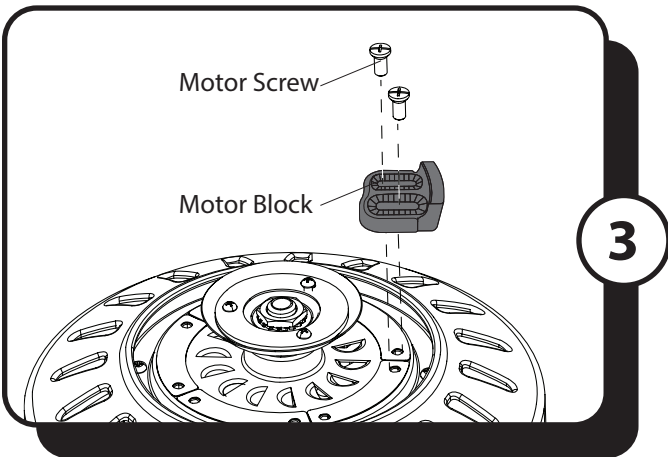
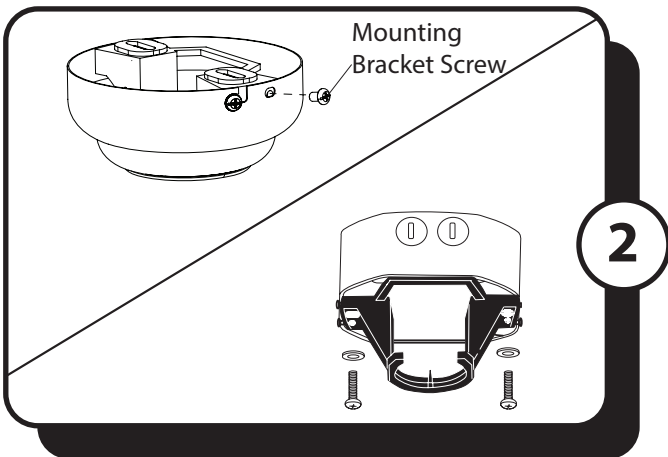
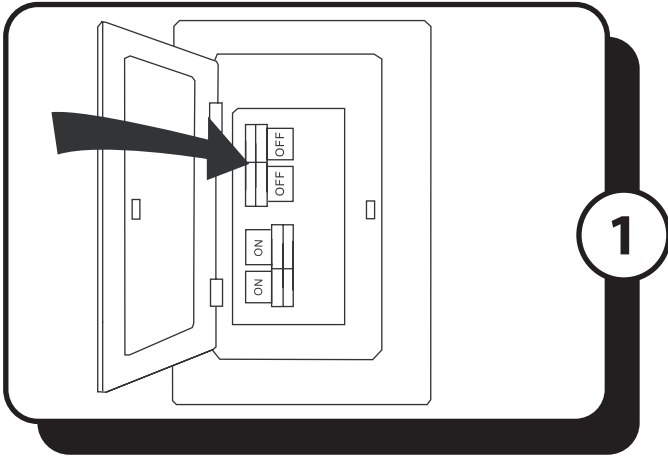
Memphis, TN 38125

1-877-706-3267

WARNING:

- To avoid risk of electric shock, be sure to shut off power at the main fuse or circuit breaker box before installing or servicing this fixture. Turning off the electrical power by using the light switch is not sufficient to prevent electrical shock.
- To reduce the risk of injury, install the fan so that the blades are at least 7 feet (2.1 Meters) above the floor and at least 18 inches (0.5 Meters) from the tip of the blades to the wall.
- To reduce the risk of fire, electric shock, or personal injury, mount to outlet box marked "acceptable for fan support" and use mounting screws provided with the outlet box.
- The installation has to be in accordance with the national electrical code, ansi/nfpa 70-1999 and local codes. If you are unfamiliar with the methods of installing electrical wiring, seek the services of a qualified licensed electrician.
- Using a full-range dimmer switch to control fan speed will cause a loud humming noise from the fan. To reduce the risk of fire or electric shock, do NOT use a full-range dimmer switch to control the fan speed.

ASSEMBLY INSTRUCTIONS



1. Turn OFF the electrical power at the main fuse or circuit breaker.

DANGER: Failure to disconnect the power supply prior to installation may result in serious injury or death.

2. Remove the mounting bracket by removing the two mounting bracket screws from the round holes in the canopy. Then loosen the other two mounting bracket screws from the J-slots. Retain the mounting bracket screws for later. Install the mounting bracket to the outlet box (not included) using the screws and washers provided with the outlet box.

Warning: To reduce the risk of fire electric shock, or personal injury, mount to the outlet box marked "acceptable for fan support" and use the mounting screws and washers provided with the outlet box.

3. Remove the ten motor screws and five motor blocks from the underside of the motor and save the motor screws for blade arm installation.

4. CLOSEMOUNT INSTALLATION (Optional) -

a. Remove the three Phillips-head closemount screws from the top of the motor assembly.

b. Remove the canopy cover from the bottom of the canopy.

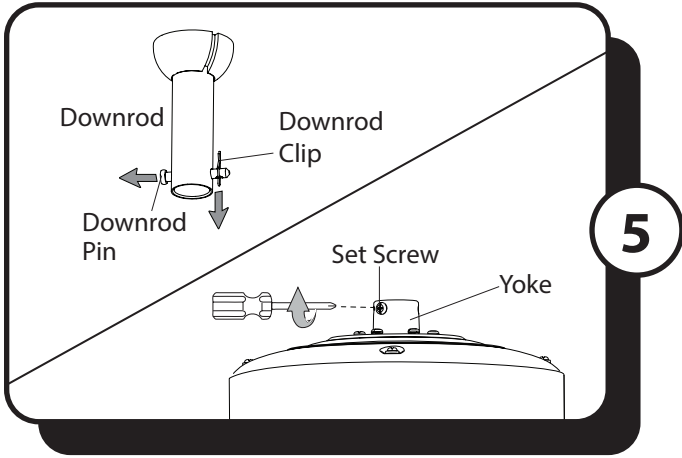
c. Align the holes in the bottom of the canopy with the screw holes in the top of the motor assembly. The larger holes in the canopy will encompass the three pre-installed screws.

d. Secure the canopy to the top of the motor assembly with the three closemount screws.

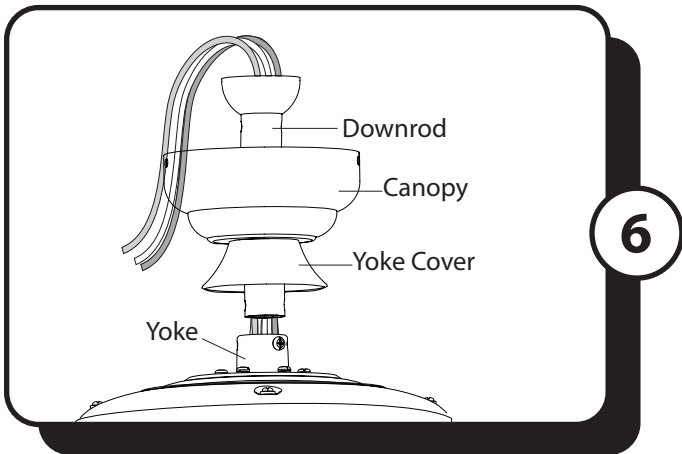
e. Hang the fan on the hook of the mounting bracket.

Proceed to Step 9.

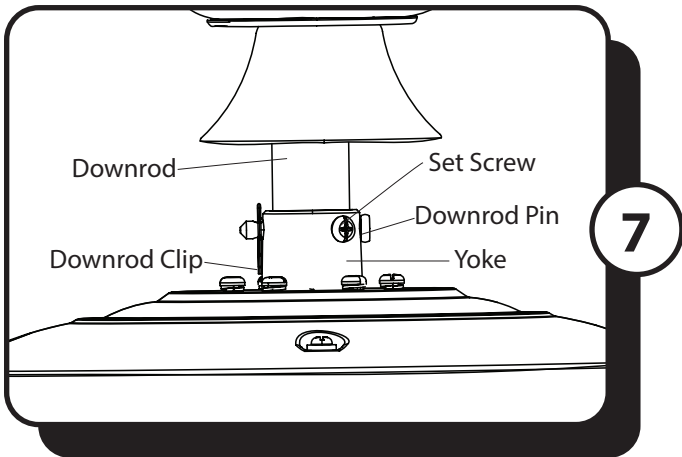
ASSEMBLY INSTRUCTIONS



5. **DOWNROD MOUNT** - Remove the downrod clip and downrod pin from the downrod. Then, loosen but do not remove the two set screws at the top of the yoke.

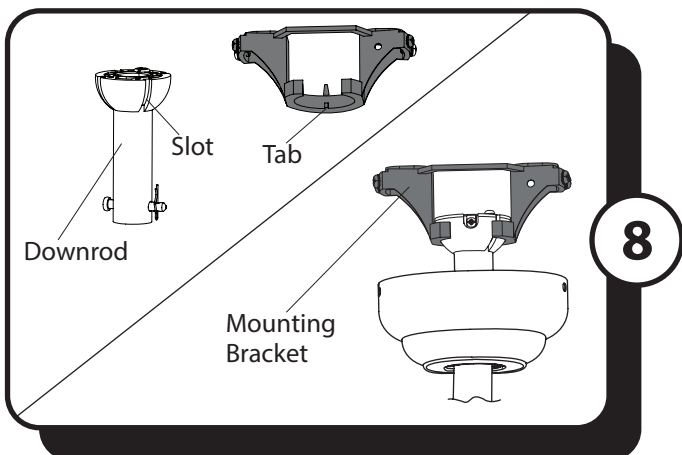


6. Feed the wires coming from the yoke through the yoke cover, canopy and downrod.



7. Insert the downrod into the yoke and reinstall the downrod pin and downrod clip. Then retighten the two set screws.

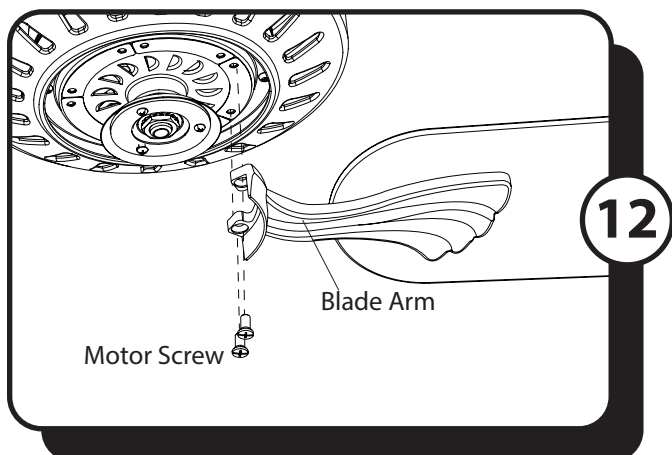
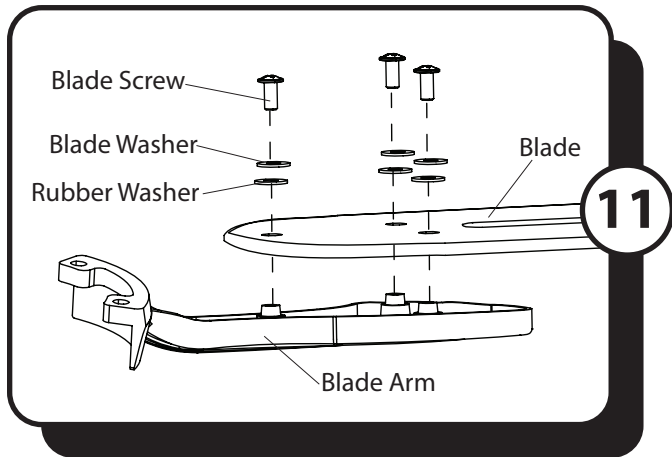
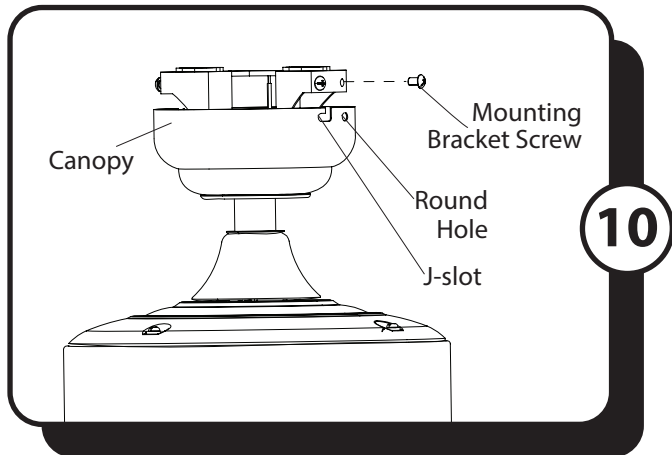
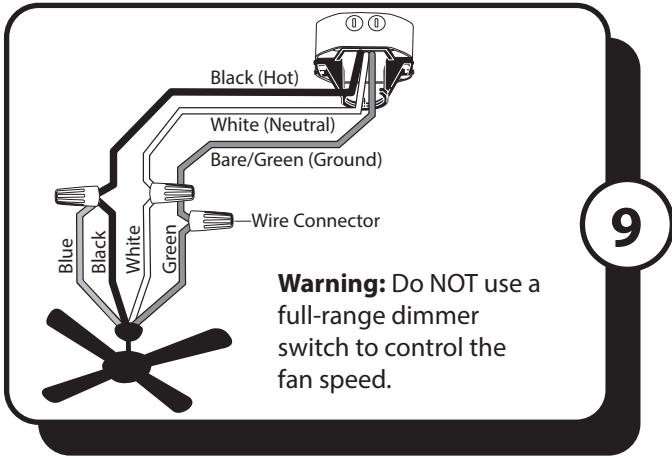
Note: With wiring extending out of the downrod, measure 8 inches of lead wire and cut the excess wire with wire cutters (not included). Then strip 1/2" of insulation from the end of each wire. Do not cut braided cable.



8. Lift the downrod into the mounting bracket. Rotate the downrod until the tab in the mounting bracket is seated in the slot in the downrod ball.

WARNING: The fan and/or downrod should not rotate in the mounting bracket, if installed correctly. Failure to align the slot in the downrod ball with the tab on the mounting bracket may result in fan falling causing serious injury or death.

ASSEMBLY INSTRUCTIONS



9. Use wire connectors to connect the fan wires to the power supply wires according to the wiring diagram and the following instructions:

- Connect the green wire from the downrod and mounting bracket to the bare/green (ground) supply wire. **Note:** The downrod is not used for closemount installation, so there will only be two green wires to connect.
- Connect the white wire from the fan to the white (neutral) supply wire.
- Connect the black and blue wires from the fan to the black (hot) supply wire.

Note: If a second hot/power wire is available from the outlet box, connect it to the blue (light power) fan wire for separate fan and light switches.

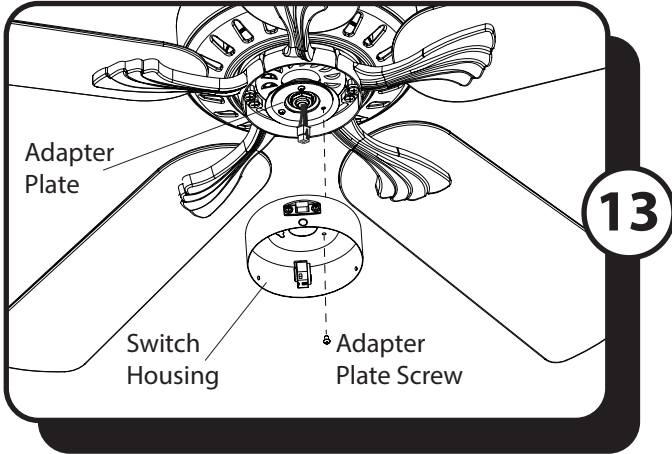
Important: After the connections have been made, the wires should be turned upward and pushed carefully up into the outlet box. Place the black and white wire connections on opposite sides of the outlet box.

10. Align the canopy over the loosened mounting bracket screws. Place the J-slot of the canopy onto the mounting bracket screws and rotate clockwise. Secure the canopy with the two previously removed mounting bracket screws. Tighten all the mounting bracket screws securely.

11. Partially insert the blade screws along with the blade washers and rubber washers through the blade and into the blade arm. Tighten each blade screw with a Phillips screwdriver (not included), starting with the one in the middle. Repeat this step for the remaining blades and blade arms.

12. Install the blade arm to the underside of the motor assembly with previously removed motor screws. Tighten each blade arm completely before moving to the next.

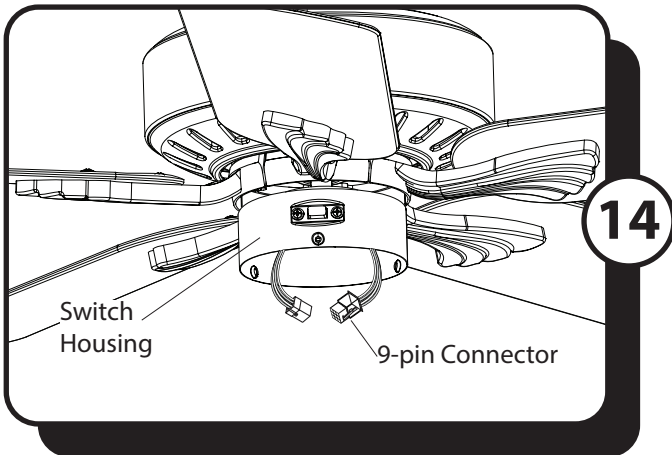
ASSEMBLY INSTRUCTIONS



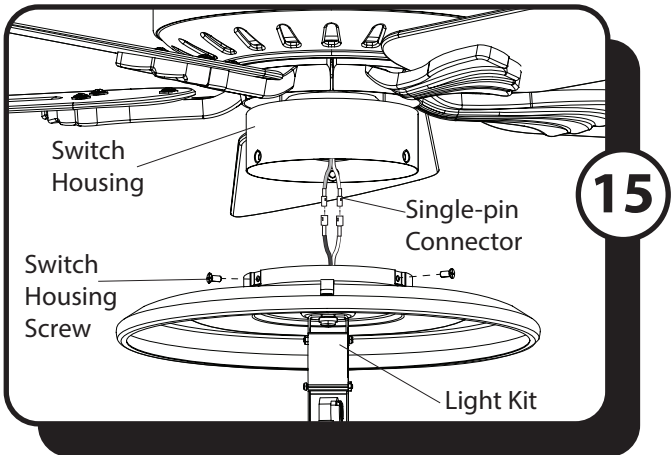
13. Remove one of the adapter plate screws from the adapter plate, and loosen (do not remove) the other two screws.

Insert the wires from the motor assembly through the hole in the switch housing. Then, attach the switch housing to the adapter plate by twisting the switch housing until the loosened adapter plate screws engage the keyholes on switch housing.

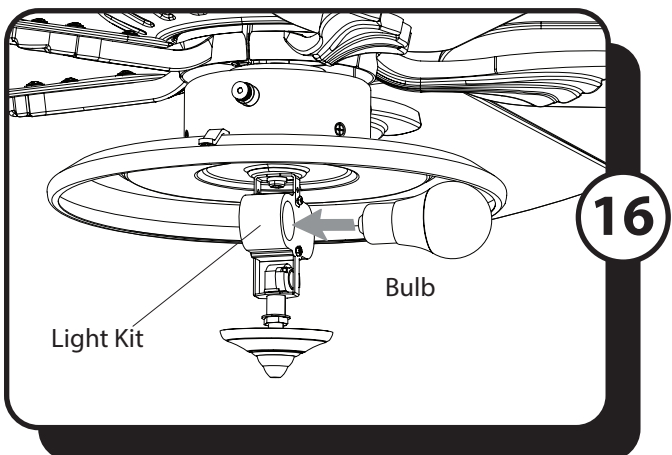
Re-install the third adapter plate screw into the closed hole in the switch housing and securely tighten all three adapter plate screws.



14. Connect the 9-pin connector from the fan to the 9-pin connector from the switch housing.

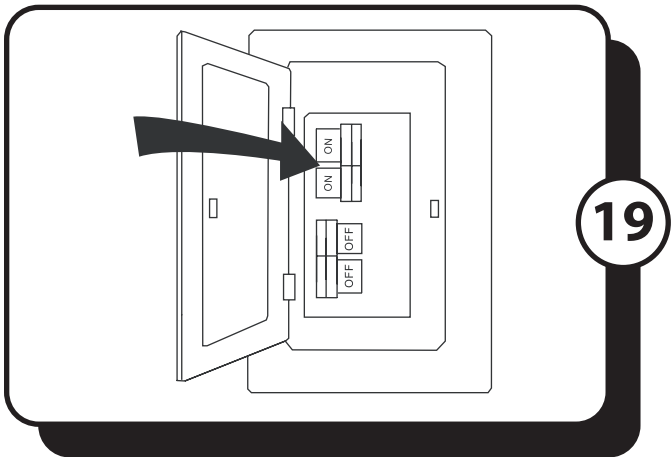
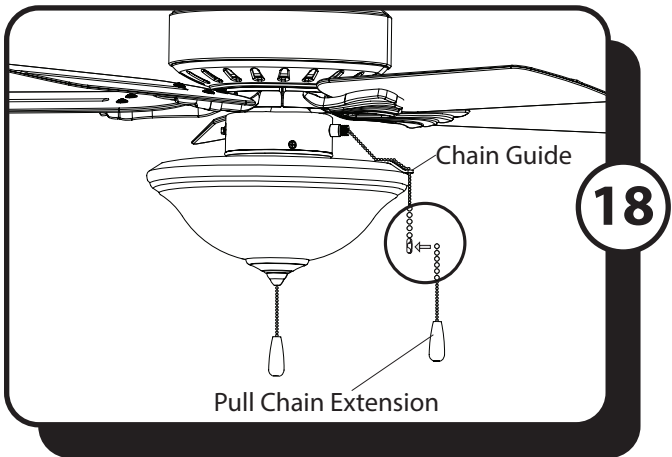
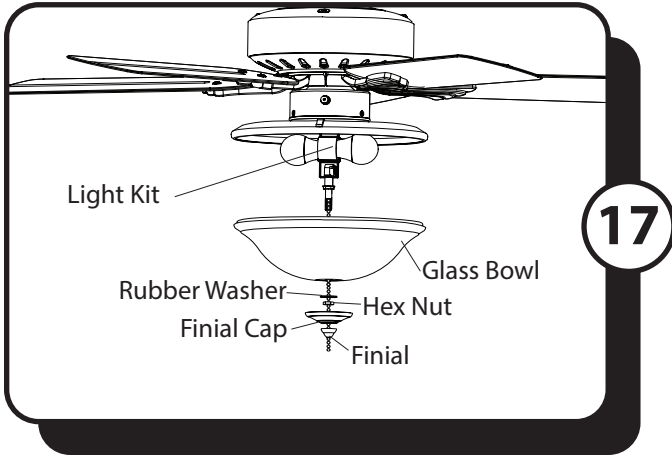


15. Remove the three switch housing screws from the switch housing cap. Then connect the single-pin connector from the switch housing to the single-pin connector from the light kit -- Blue to Black and White to White. Then, secure the switch housing cap with light kit to the switch housing using the switch housing screws.



16. Install the two E26-base LED bulbs into the sockets of the light kit.

ASSEMBLY INSTRUCTIONS



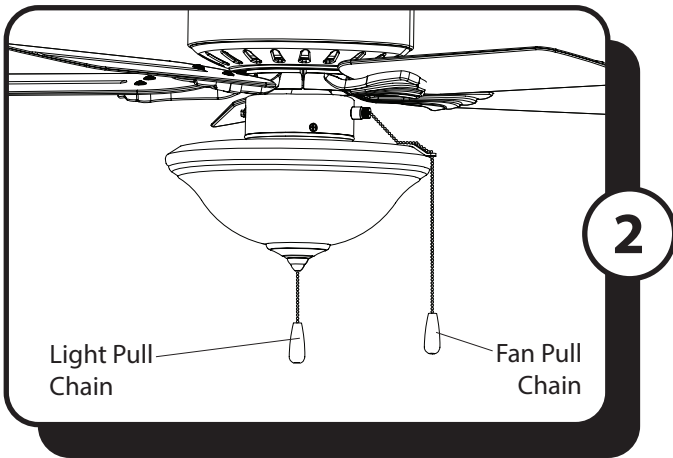
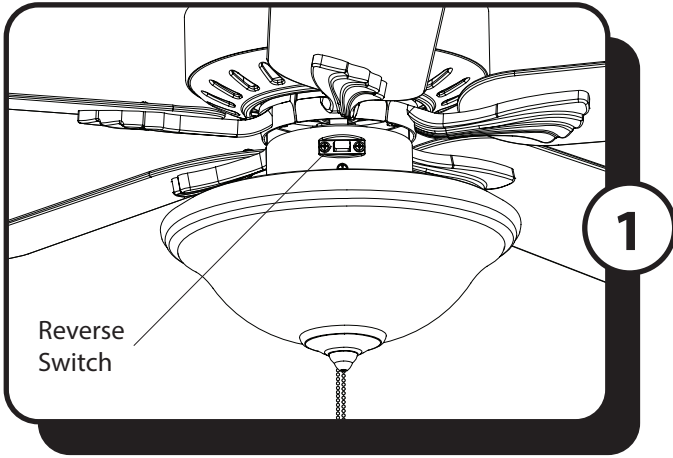
17. Feed pull chain coming from the center of the light kit through the center hole in the glass bowl. Lift the glass bowl and rubber washer over the threaded rod. Screw the hex nut onto the threaded rod to secure the glass bowl. Feed the pull chain through the hole in the finial cap. Lift the finial cap up until it is flush with the glass bowl and secure with the finial.

18. Feed the pull chain coming from the side of the switch housing through the chain guide. **Note:** For smooth pull chain operation, ensure the chain guide is aligned with the pull chain switch.

19. Turn ON the electrical power at the main fuse or circuit breaker.

The assembly is complete.

OPERATING INSTRUCTIONS



1. Use the reverse switch, located on the switch housing to optimize your fan for seasonal performance.

Using a ceiling fan will allow you to raise your thermostat setting in summer and lower your thermostat setting in winter without feeling a difference in your comfort.

In warmer weather, push the reverse switch left which will result in downward airflow creating a wind chill effect.

In cooler weather, push the reverse switch right which will result in upward airflow that can help move stagnant, hot air off the ceiling area.

Important: Wait for the fan to stop before moving the reverse switch. The reverse switch must be set either completely left or right in order for the fan to function correctly. If the reverse switch is set in the middle position, the fan will not operate.

2. The pull chain extending from the chain guide has four positions to control the fan speed . One pull is HIGH, two is MEDIUM, three is LOW, and four turns the fan OFF.

The pull chain extending from the finial has two positions to control the light -- ON and OFF.

TROUBLESHOOTING

If you have difficulty operating your new ceiling fan, it may be the result of incorrect assembly, installation or wiring. In some cases, these installation errors may be mistaken for defects. If you experience any faults, please check the Troubleshooting section below. If a problem cannot be remedied or you are experiencing difficulty in installation, please contact the Service Department: 1-877-706-3267, 8 a.m.-5 p.m. Central, Monday-Friday.

PROBLEM

SUGGESTED REMEDY

WARNING: To reduce the risk of fire, electrical shock or personal injury, shut off the power supply to fan before you begin any maintenance tasks.

- | | |
|-------------------------|--|
| 1. Fan does not start: | <ol style="list-style-type: none">1. Make sure that the wall control is turned ON.2. Check main and branch circuit fuses or circuit breakers.3. Check all wire connections at the ceiling outlet box.4. Make sure forward/reverse switch pushed completely up or down. Fan will not operate when switch is in the middle. |
| 2. Fan is noisy: | <ol style="list-style-type: none">1. Make sure all screws in motor assembly are snug, but not overtightened.2. Make sure the screws that attach the blade arms to the motor are tight.3. Make sure wire connectors are not rattling against each other or against the interior wall of the switch housing.4. Make sure wire connectors are not rattling against each other or against the interior wall of the canopy.5. Some fan motors are sensitive to signals from Solid State variable speed controls. DO NOT USE a Solid State variable speed control.6. Ensure fan does not wobble excessively (see Fan wobbles solutions below). |
| 3. Fan wobbles: | <ol style="list-style-type: none">1. Ensure the mounting bracket is tightened securely to outlet box and outlet box is mounted firmly to ceiling joist.2. Ensure all blades are screwed firmly into blade arms.3. Ensure all blade arms are tightened securely to motor.4. Switch one blade with a blade from the opposite side. Or balance the fan using the blade balancing kit.5. If blade wobble is still noticeable, interchanging two adjacent (side by side) blades can redistribute the weight and possibly result in smoother operation. |
| 4. Light does not work: | <ol style="list-style-type: none">1. Check for loose or disconnected 9-pin and/or single-pin connectors in light kit.2. Ensure the blue wire from fan is connected to hot power supply wire.3. Check for faulty light bulbs.4. Ensure total wattage of bulbs does not exceed 180 watts (for incandescent bulbs only). |

LIMITED LIFETIME WARRANTY

To obtain Service, please contact the Service Department:
1-877-706-3267, 8 a.m.-5 p.m. Central, Monday-Friday.

Model Name: 42" Ceiling Fan

Model No: 51448 - White

51449 - Matte Black

The manufacturer warrants this fan to be free from defects in workmanship and materials present at time of shipment from the factory for a lifetime from the date of purchase by the original purchaser. The retailer also warrants that all other fan parts, excluding any glass or acrylic blades, to be free from defects in workmanship and material at the time of shipment from the factory for a period of one year after the date of purchase by the original purchaser. The manufacturer agrees to correct such defects without charge or at its option replace the ceiling fan with a comparable or superior model.

To obtain warranty service, present a copy of the receipt as proof of purchase. All costs of removing and reinstalling the product are your responsibility. Any damage to any part such as by accident or misuse or improper installation or by affixing any accessories, is not covered by this warranty. The manufacturer assumes no responsibility whatsoever for fan installation during the limited lifetime warranty. Any service performed by an unauthorized person will render the warranty invalid.

Due to varying climate conditions, this warranty does not cover any changes in brass finish, including rusting, pitting, corroding, tarnishing or peeling. Brass finishes of this type give their longest useful life when protected from varying weather conditions. Any glass provided with this fan is not covered by the warranty.

Any replacement of defective parts from the ceiling fan must be reported within the first year from the date of purchase. For the balance of the warranty, call our customer service department for return authorization and shipping instructions so that we may repair or replace the ceiling fan.

Any fan or parts returned improperly is the sole responsibility of the purchaser. There is no other expressed warranty. The manufacturer disclaims any and all warranties. The duration of any implied warranty which cannot be disclaimed is limited to the time period as specified in the expressed warranty. The manufacturer shall not be liable for incidental, consequential, or special damages arising out of or in connection with product use or performance except as may otherwise be accorded by law. This warranty gives specific legal rights, and you may also have other rights which vary from state to state.

This warranty supersedes all prior warranties.

Note: A small amount of "wobble" is normal and should not be considered a defect.