

Installation Instructions

Linen Tower

Record your model number:
Noter le numéro de modèle:
Anoté su número de modelo: _____

Français, page 9
Español, página 17

KOHLER[®]

Thank You for Choosing KOHLER

Need help? Contact our Customer Care Center.

USA/Canada: 1-800-4KOHLER (1-800-456-4537)

Mexico: 001-800-456-4537

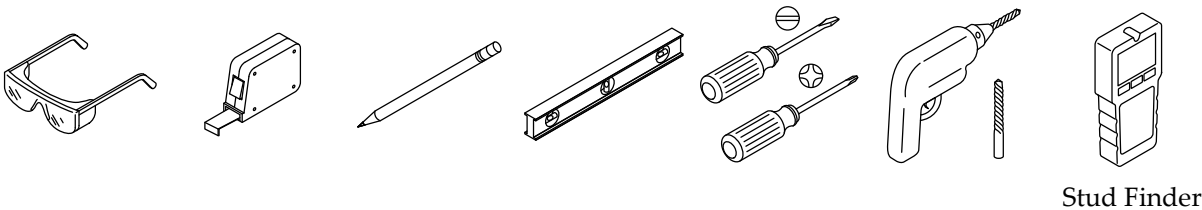
For service parts information, visit kohler.com/serviceparts.

For care and cleaning information, visit kohler.com/clean.





Warranty

This product is covered under the KOHLER® One-Year Limited Warranty, found at kohler.com/warranty. For a hardcopy of warranty terms, contact the Customer Care Center.

Tools and Materials



Before You Begin

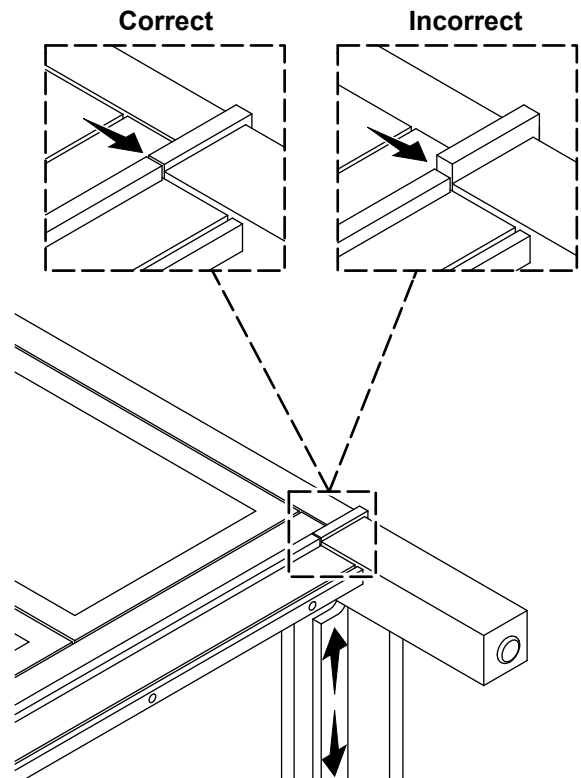
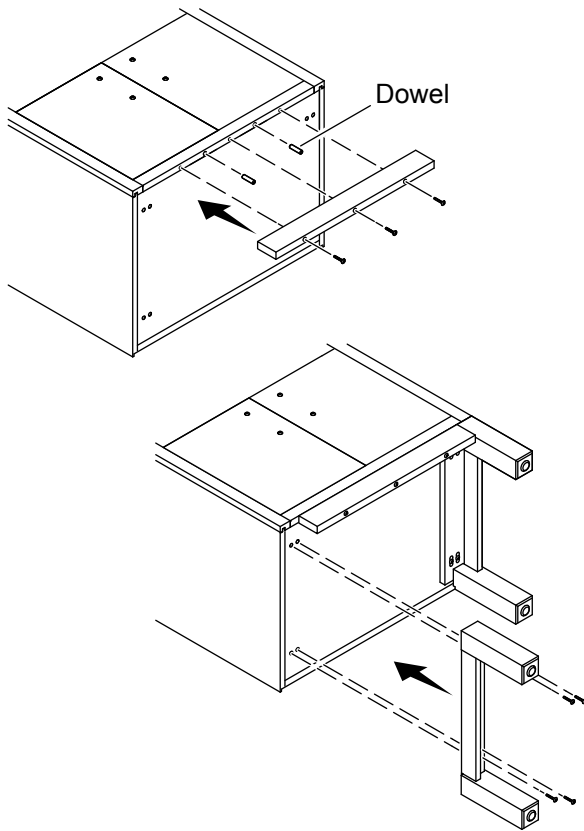
-  **WARNING: Risk of serious or fatal injury.** To avoid tipping over, the cabinet must be properly secured to the wall.
-  **CAUTION: Risk of product damage.** Do not modify the vanity. Doing so will compromise structural stability.
-  **CAUTION: Risk of product damage.** Do not sit or stand on the cabinet.
-  **CAUTION: Risk of product damage.** Use care when moving the cabinet to avoid impacting, sliding, or side-loading the legs.

Follow all local plumbing and building codes.

Your product may appear different from the one illustrated. The installation procedure is the same.

Two people should perform this installation.

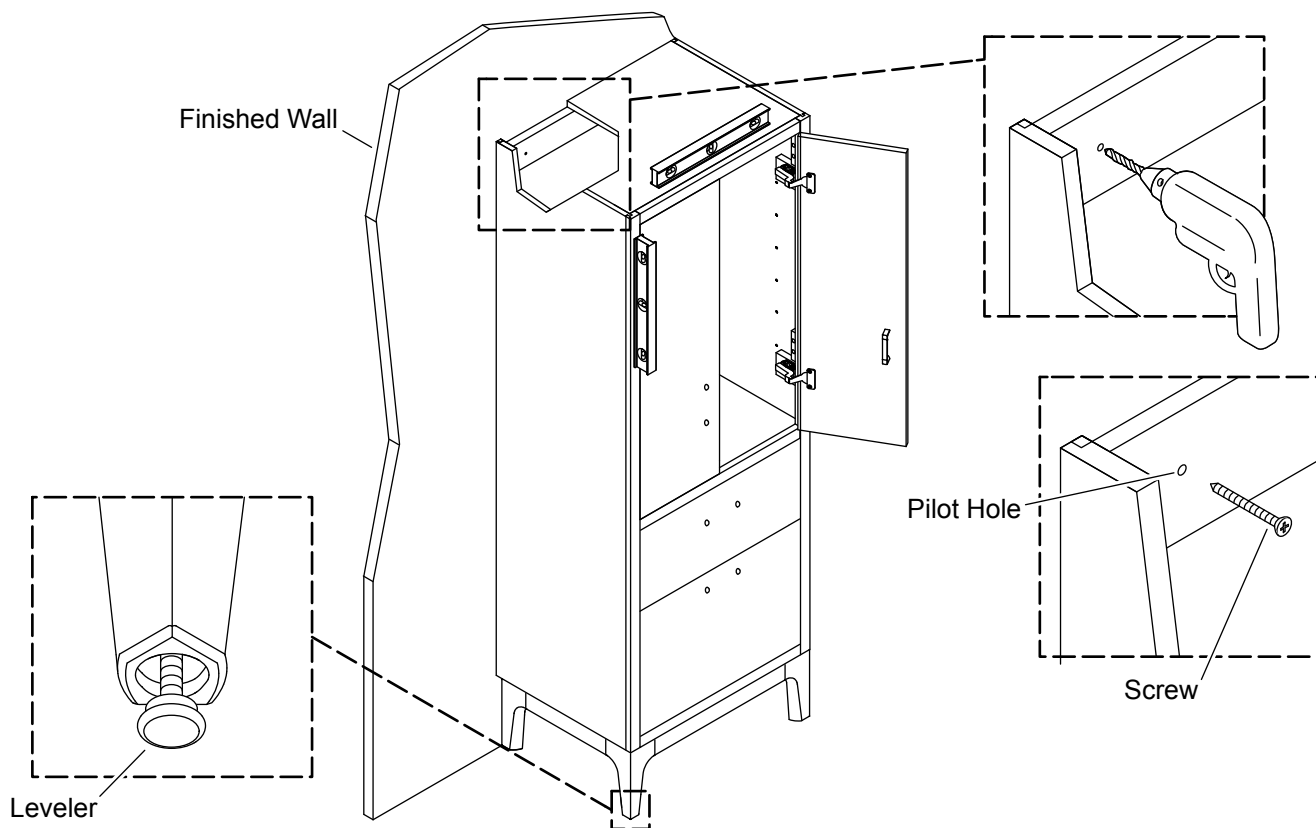
1. Install the Legs



IMPORTANT! Perform this procedure with two people.

- Lay the cabinet on its back on a flat, padded surface.
- Insert the dowels into the cabinet dowel holes.
- Position the apron onto the dowels.
- Secure the apron using the wood screws (provided).
- Position the leg assemblies on the bottom of the cabinet so that the fastener holes line up.
- Loosely attach the legs with the truss-head screws (provided).
- Align the legs flush with the front edges of the vanity.
- Securely tighten the truss-head screws.
- Carefully stand the cabinet upright. **Do not slide or side-load the legs.**

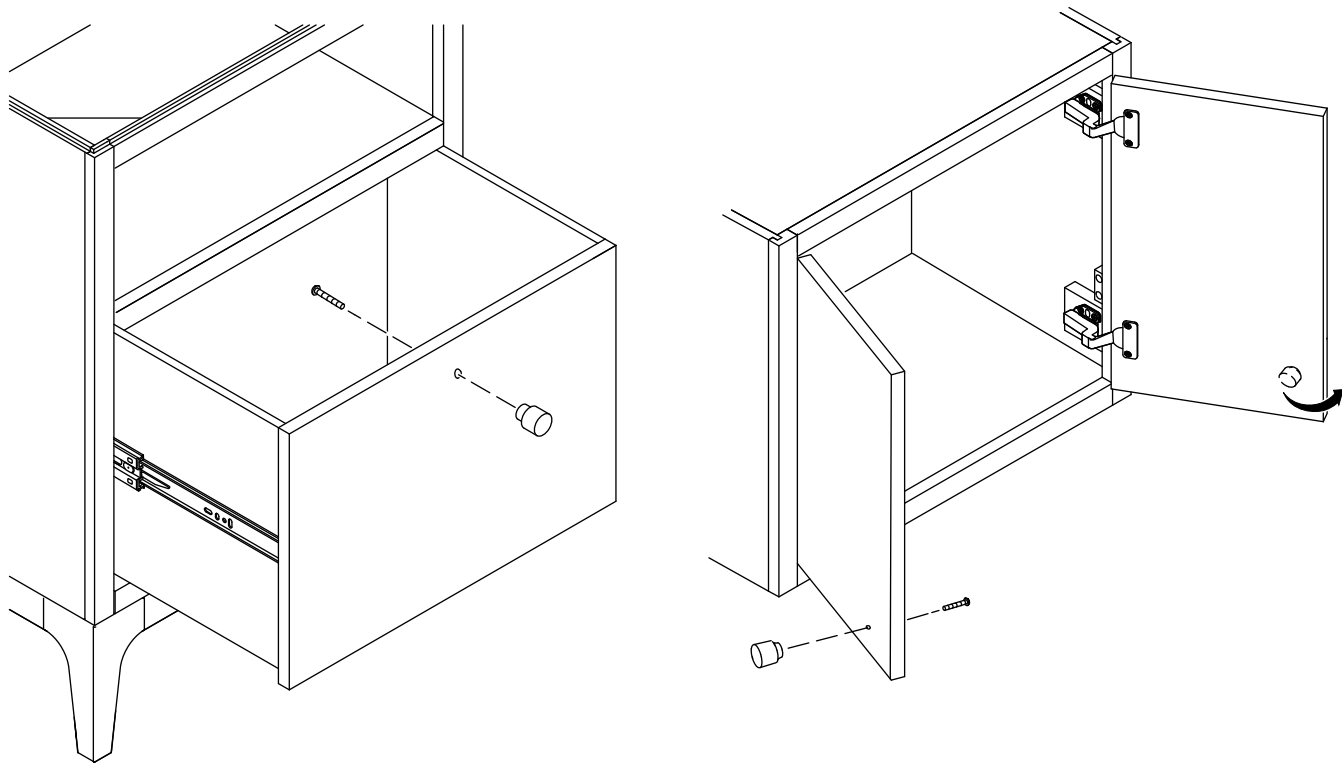
2. Secure the Cabinet



NOTE: When possible, secure the cabinet directly to wall studs. If wall studs are not available, use the provided anchors.

- With assistance, lift and place the cabinet in position against the finished wall. **Do not slide or side-load the legs.**
- Verify that the cabinet is level and plumb against the wall. If necessary, turn the levelers to adjust the unit.
- Verify that there is proper clearance for the doors to open fully.
- If using the wall anchors, drill 5/16" holes into the wall and install the anchors.
- From inside the cabinet, drill two 1/8" holes into the back of the cabinet aligned with the wall studs or wall anchors.
- Secure the back of the cabinet to the wall using the two wood screws provided.

3. Install the Handles and Pulls



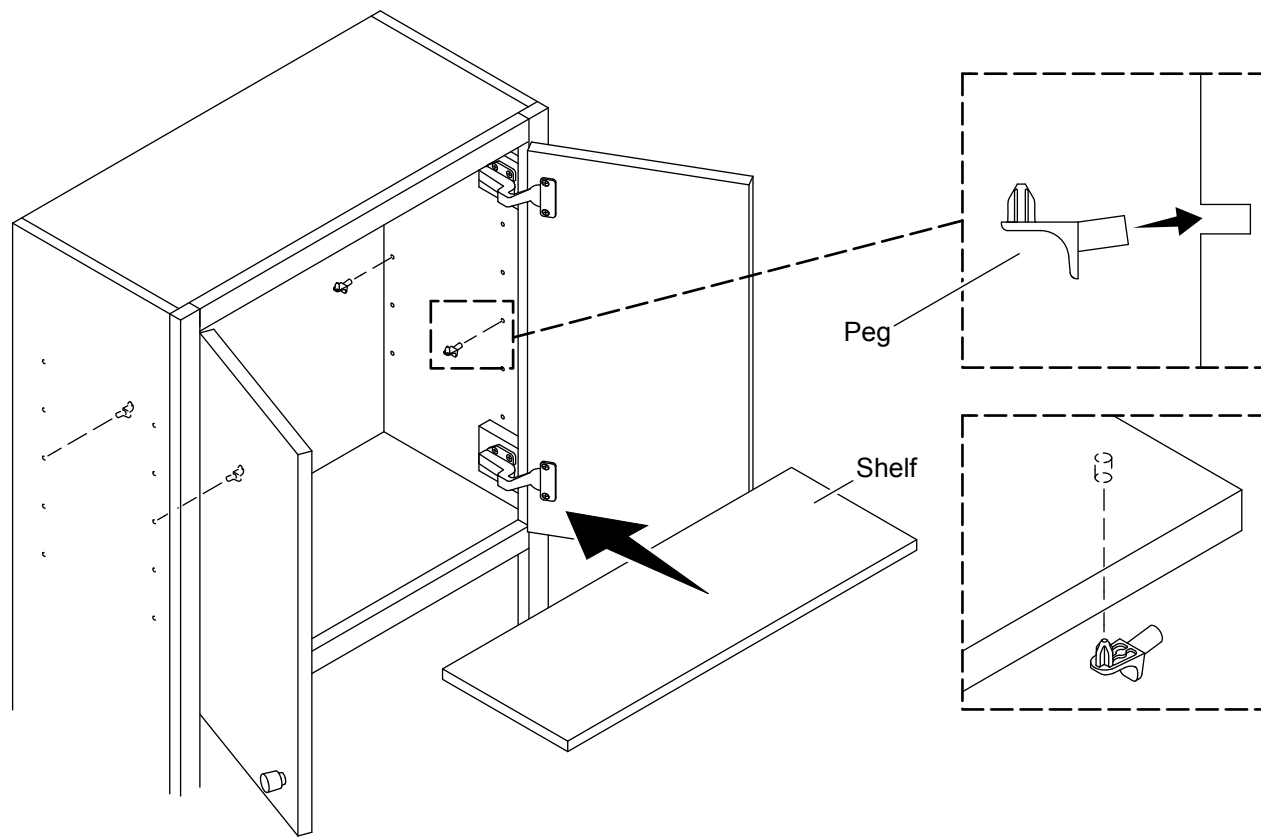
NOTE: To protect from damage, the door handles and drawer pulls are installed inside the cabinet or packaged individually.

- Remove door handles and drawer pulls that are attached to the inside of the cabinet.

NOTE: Some cabinets will have two screw lengths. If applicable, use the shorter screws for the door handles and the longer screws for the drawer pulls.

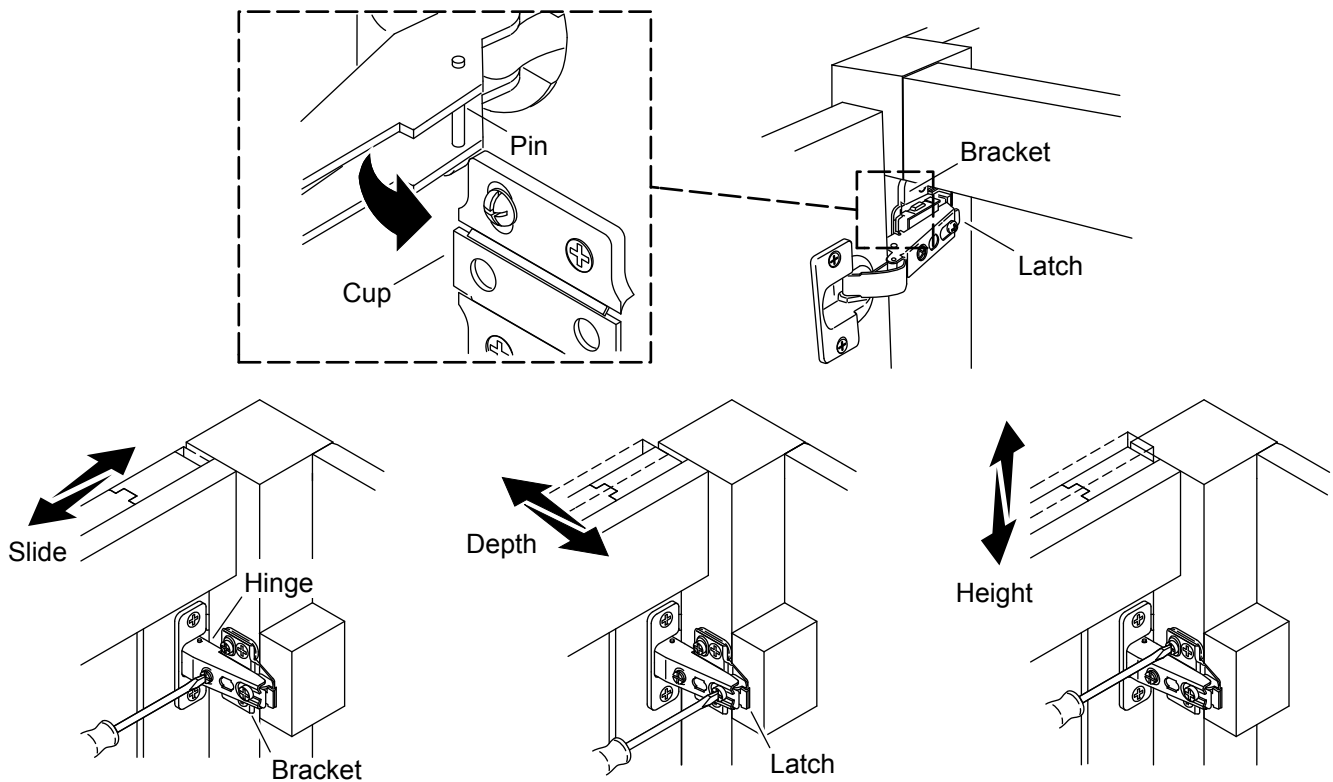
- Install the handles and pulls to the outside of the cabinet, using the pre-drilled holes.
- Tighten the screws securely.

4. Install the Shelves



- Determine the desired height of the shelf inside the cabinet.
- Insert the pegs into the side holes at the desired height.
- Tilt the shelf and position inside the cabinet above the four pegs.
- Rotate the shelf down so the holes on the bottom of the shelf engage the pegs.
- Repeat for any additional shelves.

5. Remove/Adjust the Door



⚠ CAUTION: Risk of product damage. Do not leave the door supported with only one hinge during removal or installation. Disengage the bottom hinge first during removal, and reattach the top hinge first during installation.

Door Adjustment

- Adjust the hinges as needed for proper door functionality and alignment.
- Refer to the illustration and note the screwdriver location for the desired adjustment.

Door Removal

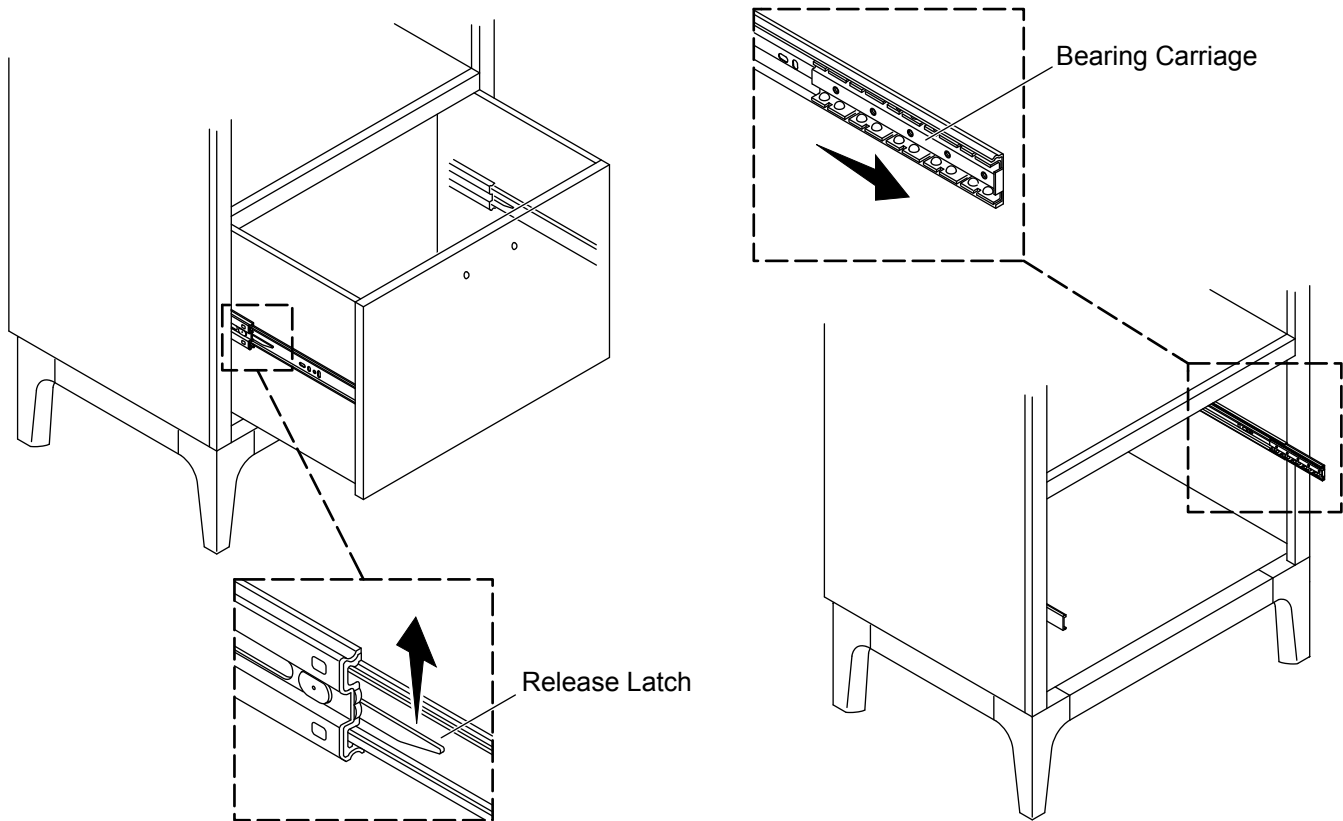
- Apply slight leverage to the door with one hand to keep the door in the full open position.
- With the other hand, release the lower hinge latch from the bracket.
- Repeat for the upper hinge.
- Move the door forward to slide the hinges off the brackets.

Door Installation

NOTE: Get assistance supporting the door to ease installation.

- Align the pin with the top hinge cup.
- Snap the latch onto the top bracket.
- Repeat for the lower hinge.


6. Remove/Adjust the Drawer



Drawer Removal

- Fully extend the drawer.
- On the drawer slides, pull the left side release latch up, and push the right side release latch down.
- While holding the release latches, support the drawer and pull to disengage from the rails.

Drawer Installation

 **CAUTION: Risk of personal injury.** The drawer can fall if the latches are not properly engaged. Make sure that the latches are engaged on the drawer.

- Fully extend both rails.
- Pull the bearing carriage on each cabinet rail toward you.
- Align the drawer rails onto the cabinet rails, then close the drawer.
- Open and close the drawer to confirm proper operation and ensure that the latches are engaged.