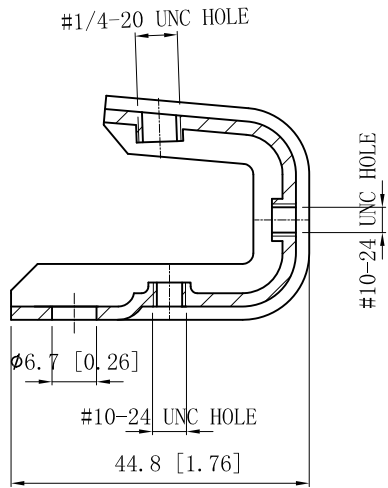
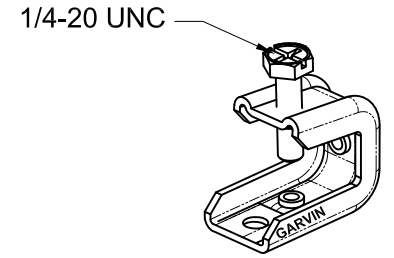
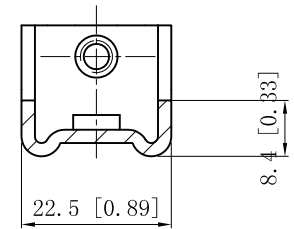
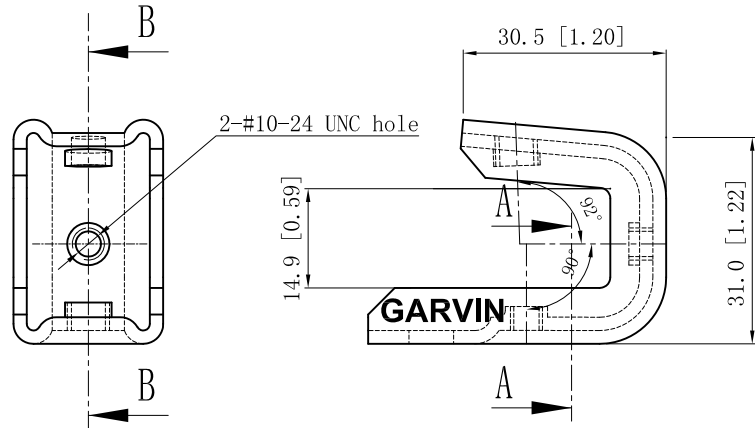
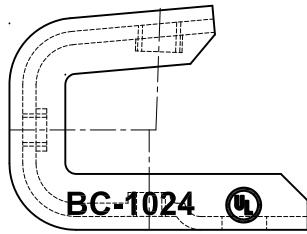


SIDES	BOTTOM
1 PCS 1/4-20×1 Screws Installed	
Material:Steel-0.079"-G60 Galvanized	



CUTAWAY VIEW B-B



CUTAWAY VIEW A-A

This data sheet is for reference only .GARVIN INDUSTRIES reserves the right to make changes to the design without prior notice.

DESCRIPTION
TRADE REFERENCE TERMS

STANDARD PACKING

GARVIN INDUSTRIES		
TITLE STAMPED STEEL BEAM CLAMPS		
SIZE A4	DWG NO. BC-1024	REV C
DATA SHEET		
www.garvinindustries.com		