

Lifesaver® Ceiling-Mounted Emergency Shower

FEATURES:

- 10" high performance emergency shower head with integral flow control
- Wall mounted stainless steel lever activator with black plastic rotating handle
- 1" NPT female brass, chrome-plated, full flow stay-open ball valve
- 1" NPT female inlet
- Horizontal Supply
- 20 GPM (75.71 L/min) @ 30 PSI flow rate
- 18 gauge stainless steel cabinet with ability to be recessed
- Universal emergency sign included

OPTIONS:

- FPV: Freeze protection valve
- SPV: Scald protection valve
- SSBV: 1" Stainless steel ball valve

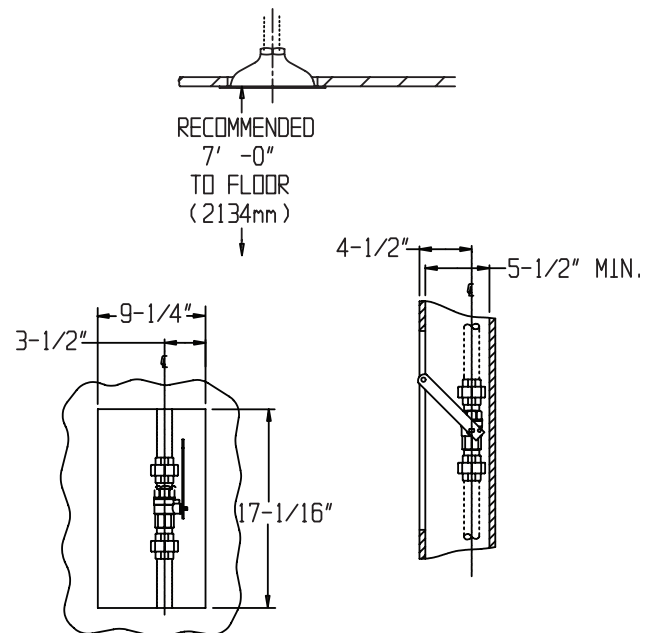
STANDARDS:

- ANSI/ISEA Z358.1 certified

WARRANTY:

Visit www.speakman.com for full product warranty information

- 3 Year Limited Warranty (commercial)



All dimensions are in inches (millimeters) unless otherwise specified and are subject to change without notice.

Architect/Engineer Approval Space:

P: 800-537-2107
 F: 800-977-2747
 W: WWW.SPEAKMAN.COM
 R: 02-NOVEMBER 2019