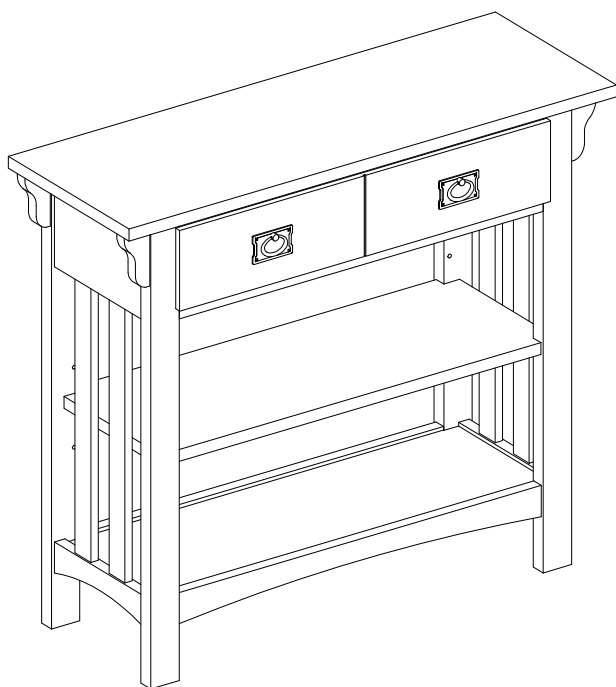
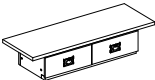
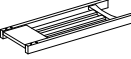








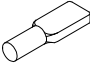


## Assembly Instructions, #8261 Mission Bookcase 30"

**Note:**

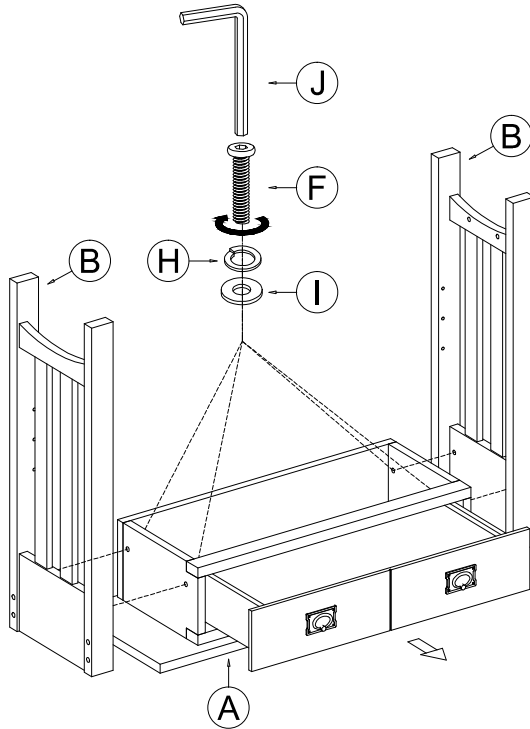
*A packet with complete set of hardware can be found by pulling the red ribbon that's easily visible upon opening the box.*



A: Top Assembly		1
B: Side Frames		2
C: Bottom Panel		1
D: Adjustable Shelf		1
E: Corbels		4
F: Long Bolts		4
G: Short Bolts		4
H: Lock Washers		8
I: Flat Washers		8
J: Allen Wrench		1
K: Shelf Supports		4

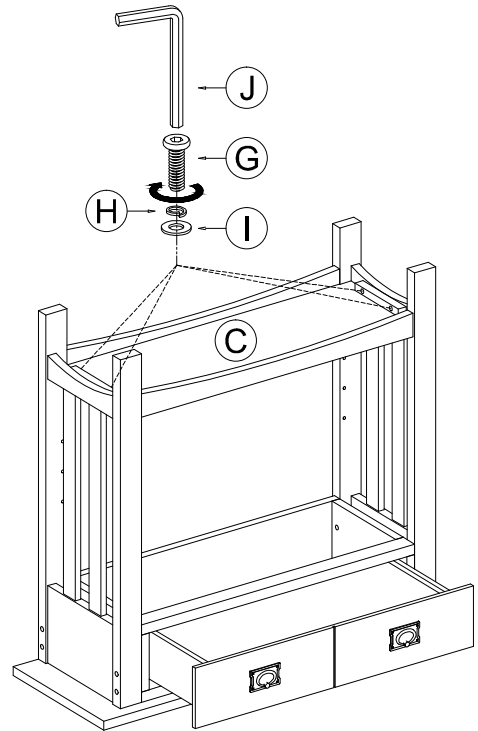
## Step 1

- 1.1 Place the top assembly (A) upside down on a soft surface and then open the drawer.
- 1.2 Align the threaded holes in the legs with the holes on the aprons. Fasten with 4 long bolts (F), flat washers (I) and lock washers (H) using the Allen wrench (J) from the inner face of aprons.



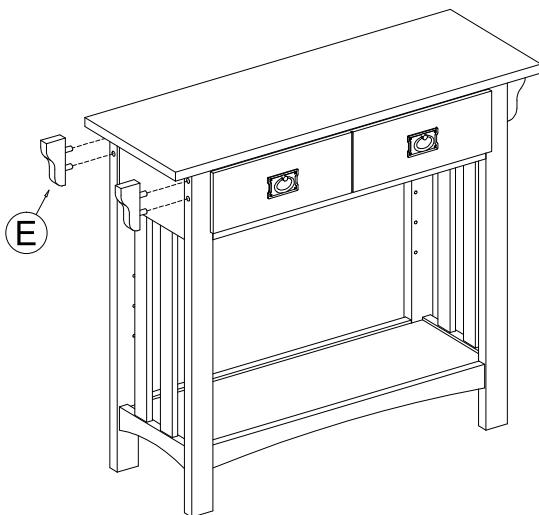
## Step 2

- 2.1 Attach the shelf (C) to the side frame with bolts (G), flat washers (I) and lock washers (H) using the Allen wrench (J).



## Step 3

- 3.1 Set the assembled table upright, attach the corbels (E) to the side frames.



## Step 4

- 4.1 Insert the shelf supports and put the shelf on.

