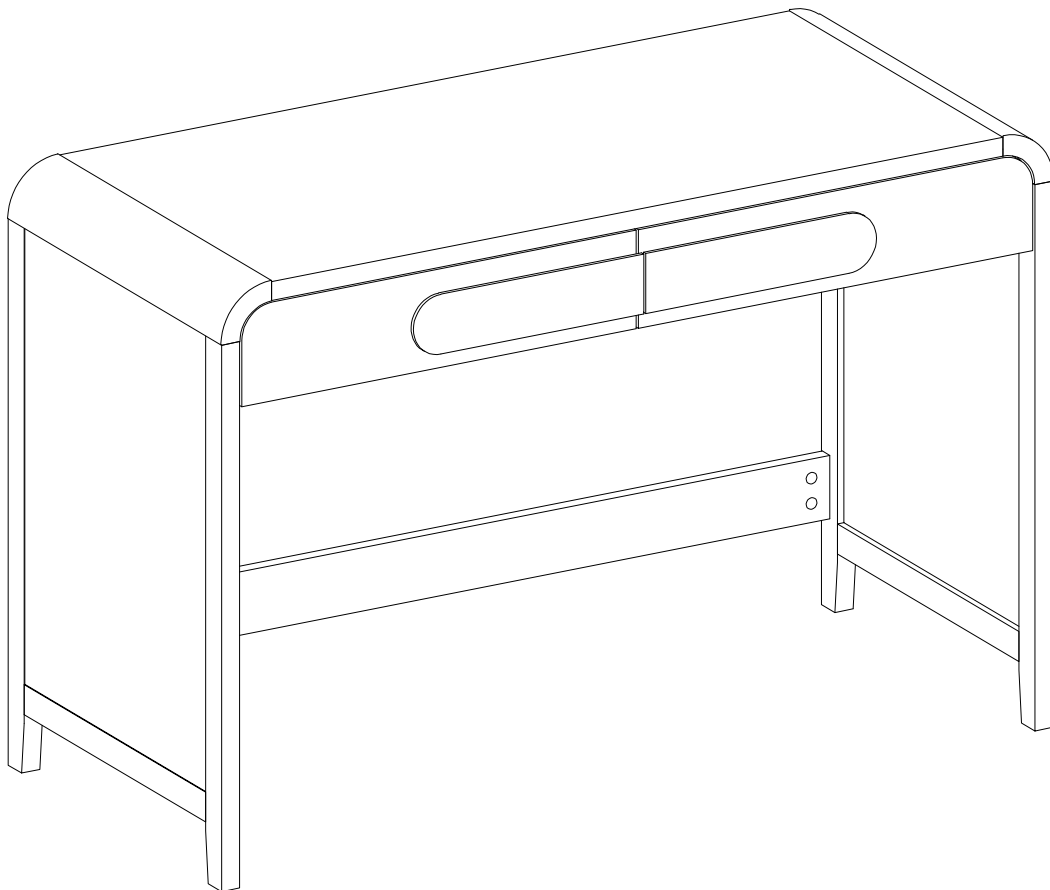


WALKER EDISON
TM

Chantelle Writing Desk

SKU# WECHA42OS2



For Residential Use Only

Please visit our website for the most current instructions, assembly tips, report damage, or request parts. www.walkerediton.com

WE Time to get started

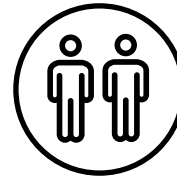
Set up a clean and soft workplace to get started and avoid damage during the assembly. It also helps to double-check you've got all the pieces and parts before diving in to assembly.

Estimated time for assembly



People recommended for assembly

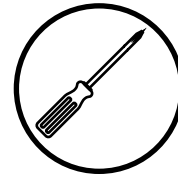
Make it a team effort! Grab a friend for quicker, easier assembly.



2 People Build

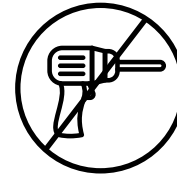
Tools Needed

Grab a Phillips head screwdriver to conquer this assembly



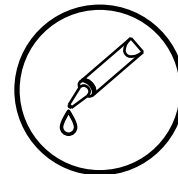
Use power tools with caution

You can cause cracking or damage to the material and easily strip the hardware. If you choose to use a power tool, your product will no longer be covered under Walker Edison's warranty.



Glue is provided to secure wood dowels in place

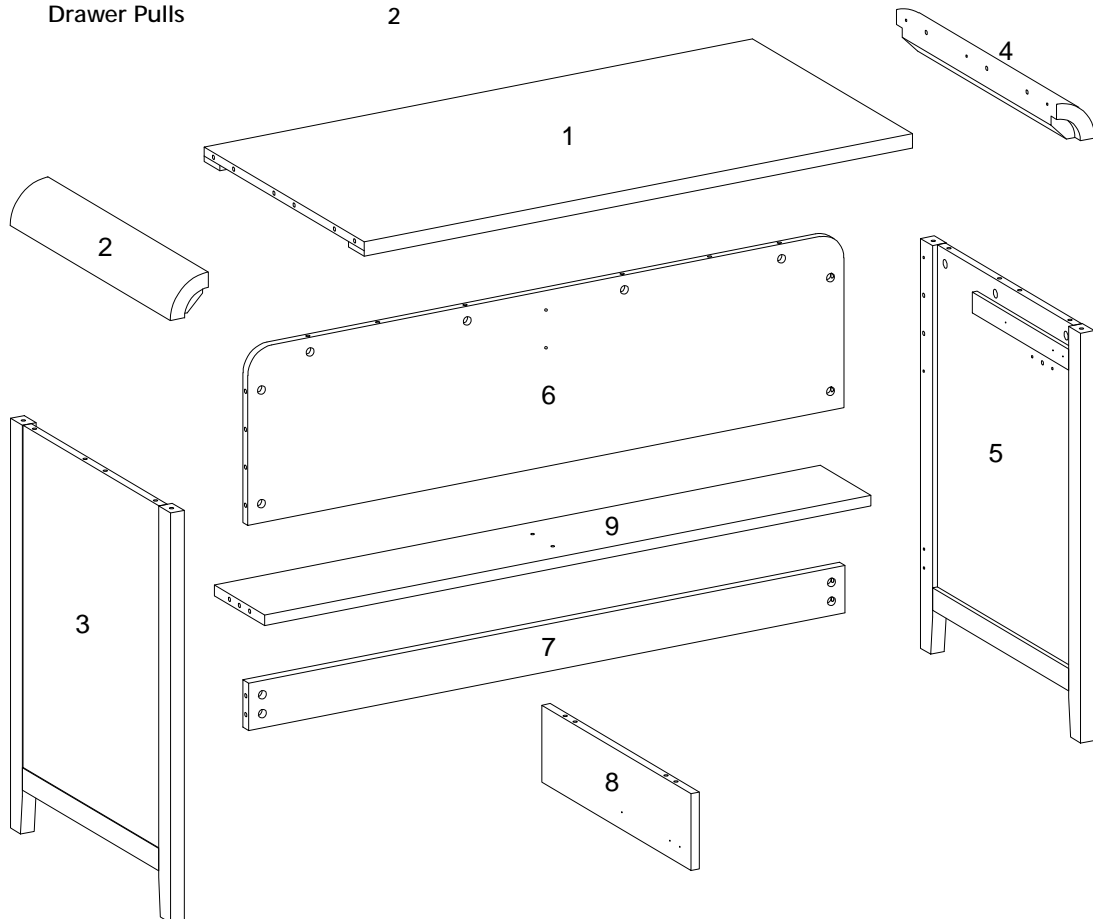
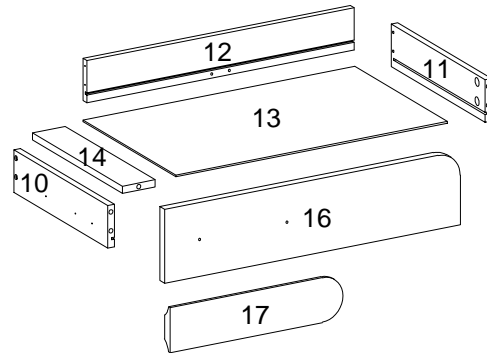
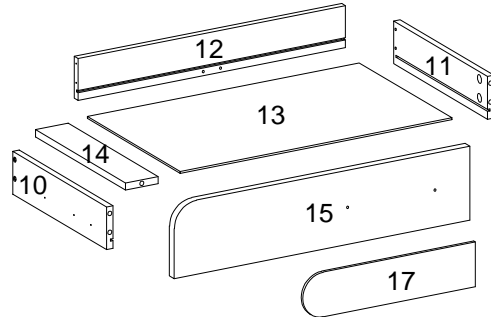
When inserting dowels, locate the appropriate hole, place a small amount of glue in the hole, and then insert the dowel. Wipe away excess glue immediately.



Scan to get assembly tips and help!






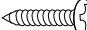
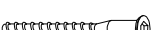

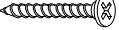
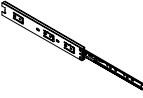

WE Parts List

Part Number	Description	Quantity
1	Desktop Panel	1
2	Left Corner Panel	1
3	Left Side Panel	1
4	Right Corner Panel	1
5	Right Side Panel	1
6	Back Panel	1
7	Support Panel	1
8	Drawer Divider	1
9	Drawer Support Panel	1
10	Left Drawer Panel	2
11	Right Drawer Panel	2
12	Back Drawer Panel	2
13	Bottom Drawer Panel	2
14	Drawer Support	2
15	Left Front Drawer Panel	1
16	Right Front Drawer Panel	1
17	Drawer Pulls	2





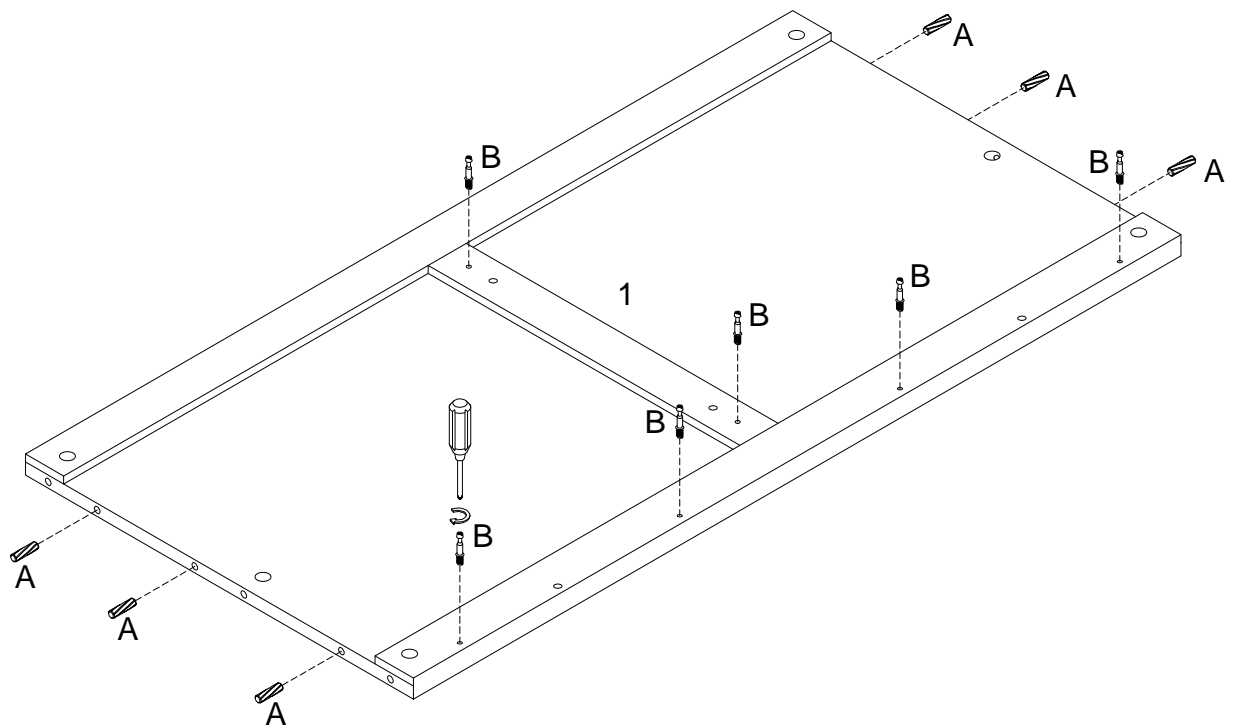
Hardware List

Part	Size	Name	Quantity
A	 8x30mm	Wooden dowel	22
B	 6x35mm	Cam bolt	42
C	 15x11mm	Cam lock	32
D	 15x9mm	Cam lock	10
E	 30mm	Sticker	42
F	 3x12mm	Screw	24
G	 6x50mm	Screw	2
H	 M4	Hex Key	1
J	 4x22mm	Handle Bolt	4
K	 4x38mm	Screw	12
L		Drawer Glide	2 sets
<small>* Note: This piece comes preassembled for shipping purposes and must be disassembled to complete the desk assembly.</small>			
M		Glue tube	1

*The hardware quantities listed above are required for proper assembly.
Extra hardware pieces may be included.*

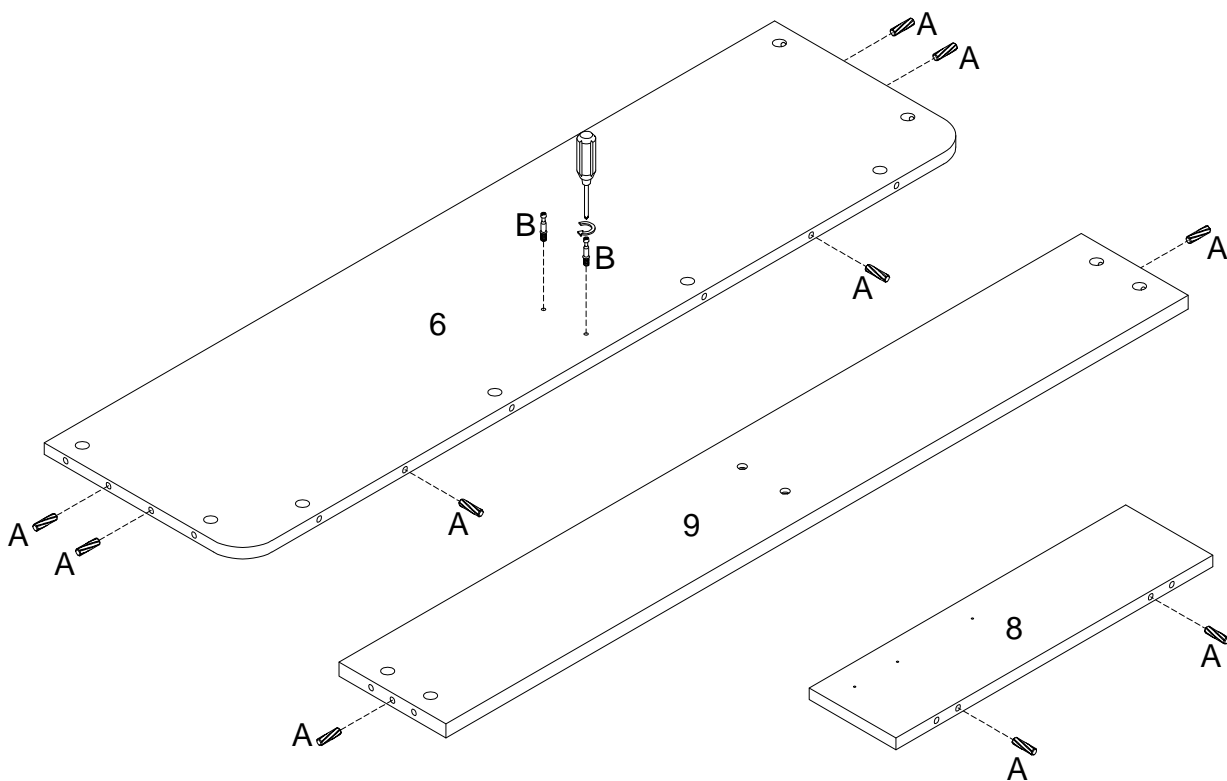
Step 1

Here we go. Start with your Desktop Panel (1). Attach Cam Bolts (B) and insert Wooden Dowels (A).



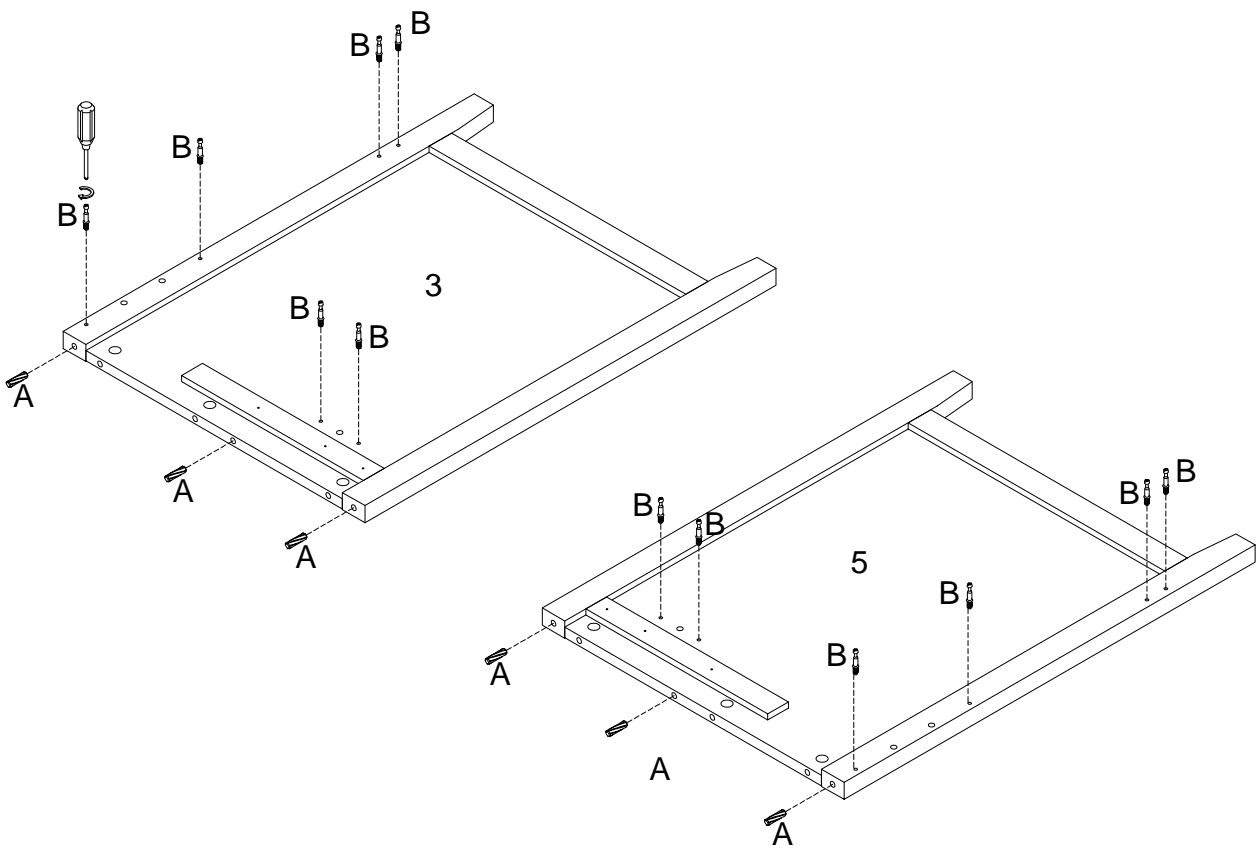
Step 2

Insert Cam Bolts (B) into the Back Panel (6). Then, place Wooden Dowels (A) into the dowel holes in the Back Panel (6), Drawer Support Panel (9), and the Drawer Divider (8).



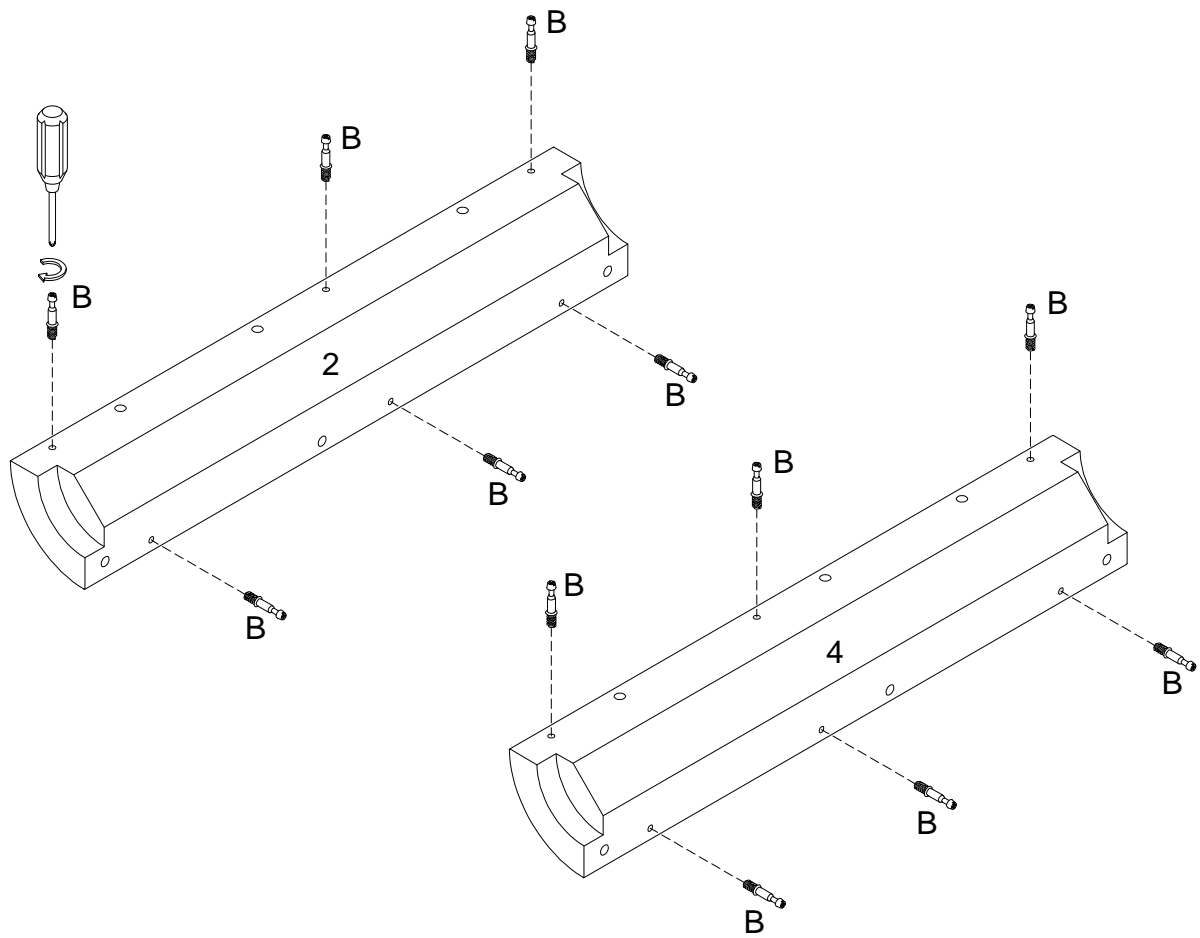
Step 3

Grab your Left Side Panel (3) and your Right Side Panel (5). Attach Cam Bolts (B) and insert Wooden Dowels (A).



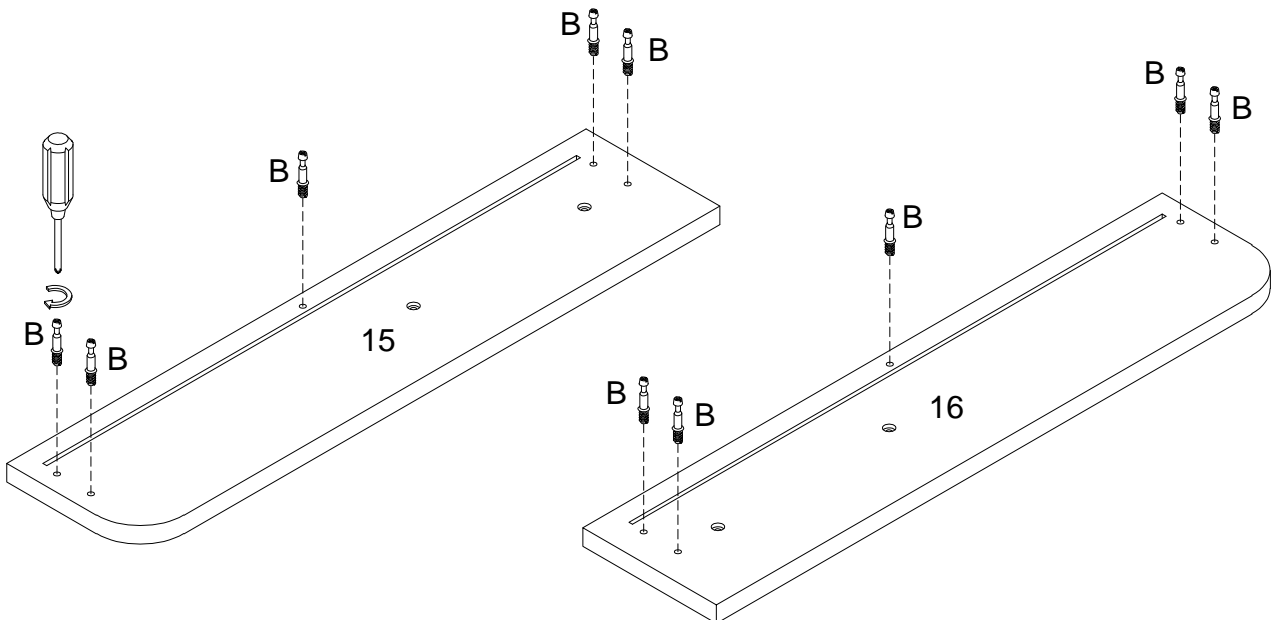
Step 4

Screw Cam Bolts (B) into both the Left Corner Panel (2) and the Right Corner Panel (4)



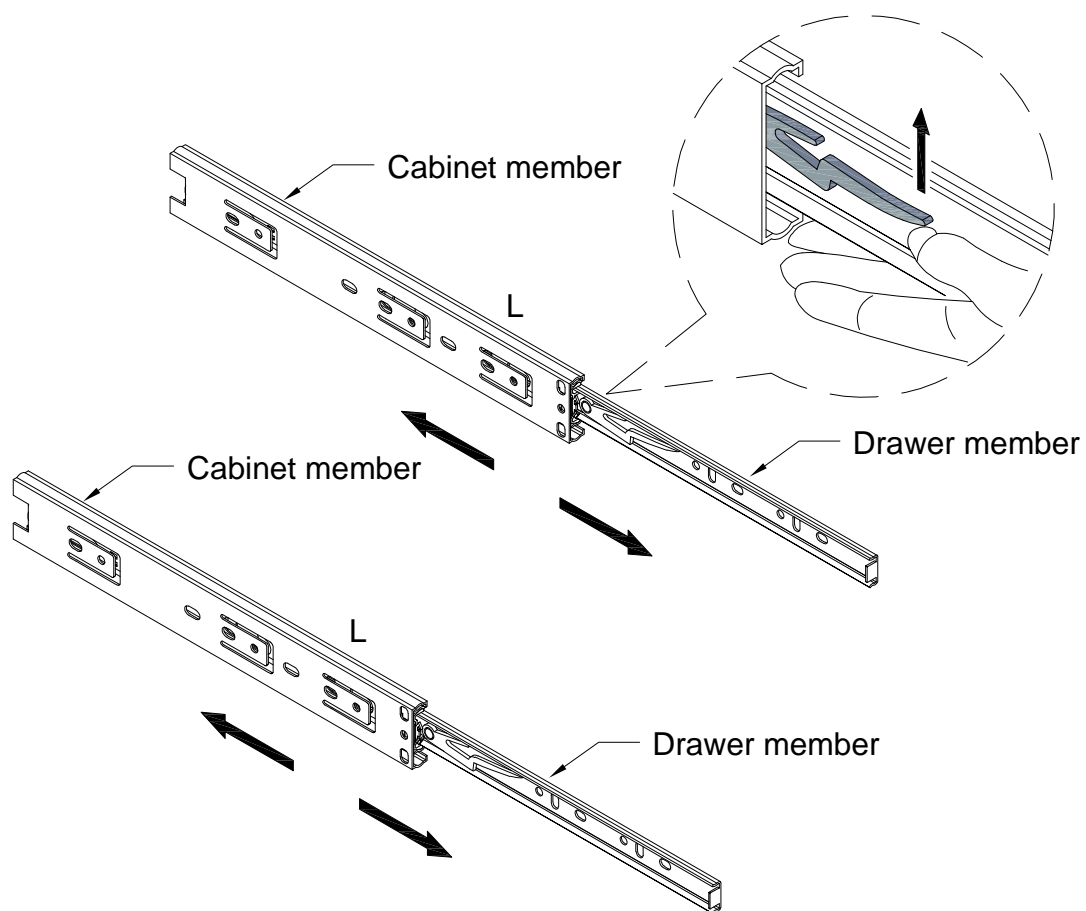
Step 5

You guessed it, more Cam Bolts! Screw the Cam Bolts (B) into the Left Front Drawer Panel (15) and Right Front Drawer Panel (16).



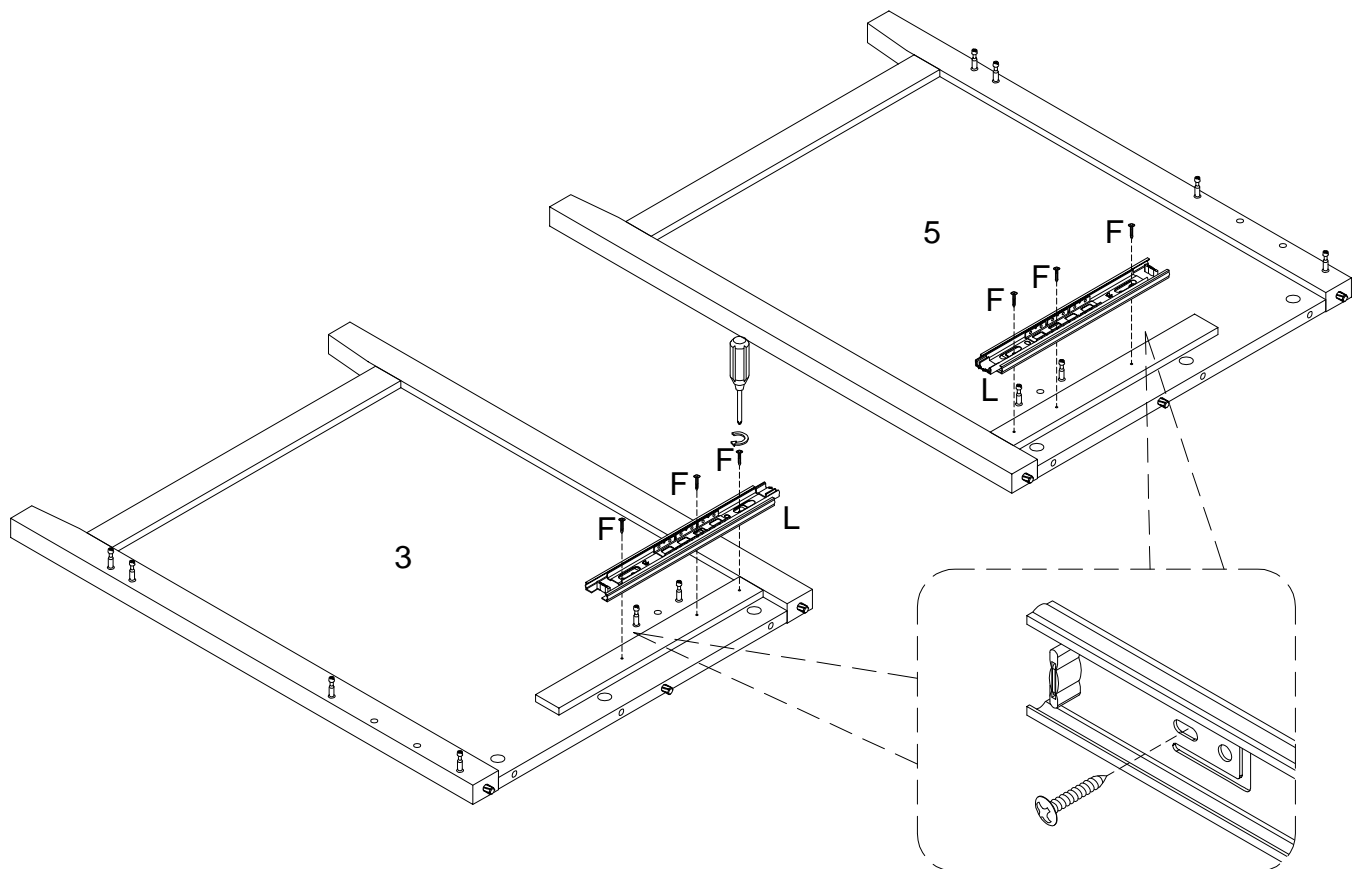
Step 6

Take the Drawer Glides (L) and detach the drawer members from the cabinet members. You can do so by pushing up on the plastic lever that's pictured here.



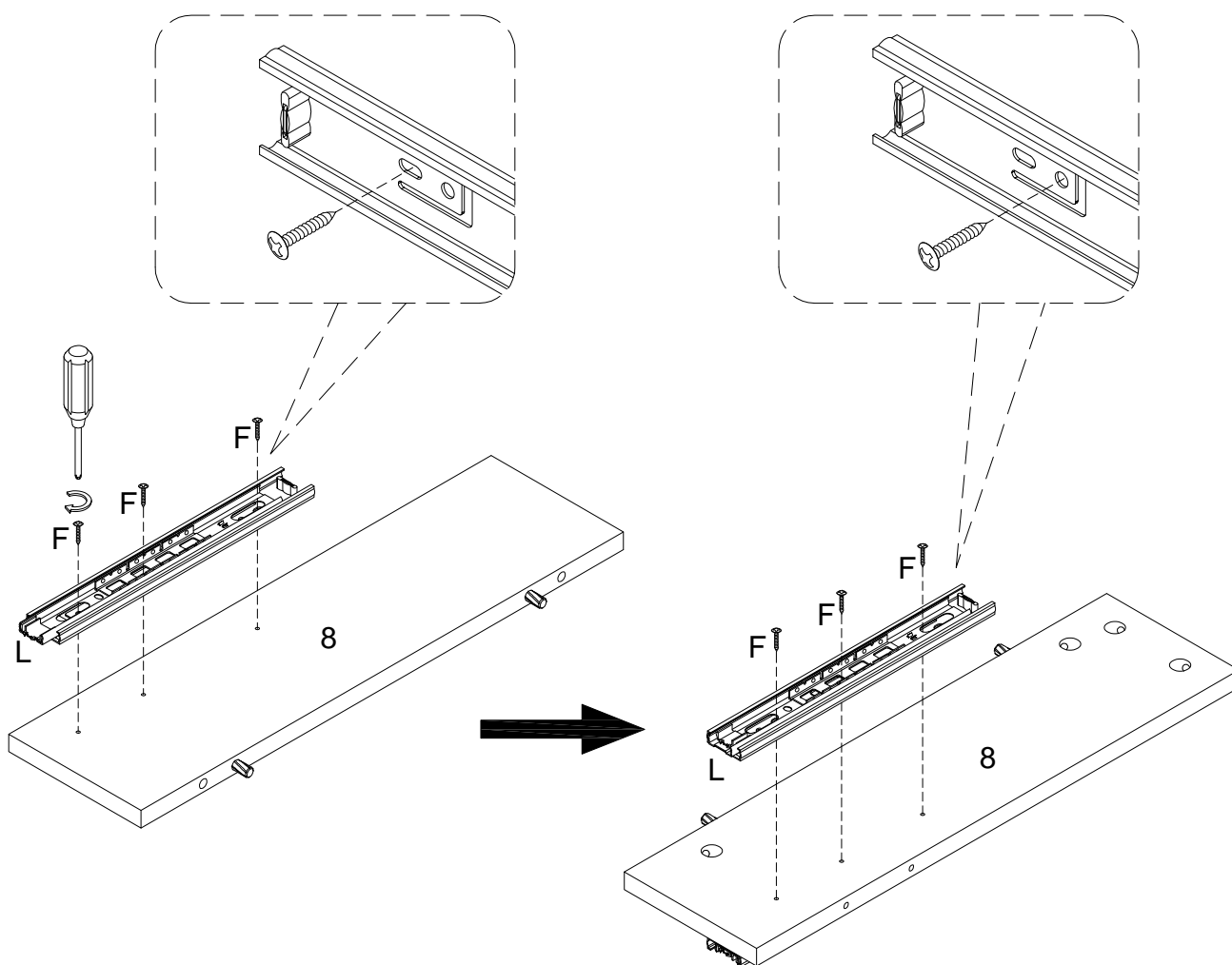
Step 7

Attach one Drawer Glide (L) cabinet member to the Left Side Panel (3) and one to the Right Side panel (5) using 12mm Screws (F).



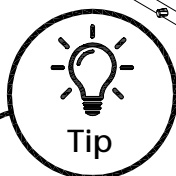
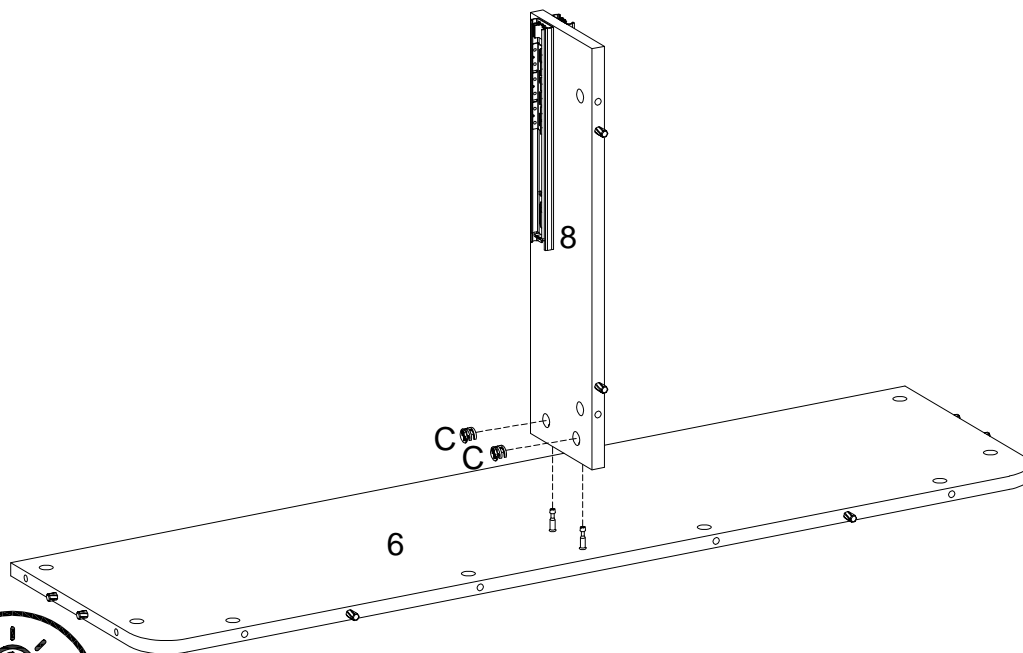
Step 8

Next, you will attach a Drawer Glide (L) cabinet member on each side of the Drawer Divider (8). Ensure that you are matching to the correct sides according to the diagram.



Step 9

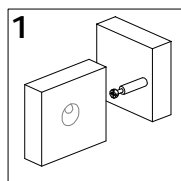
Attach the Drawer Divider (8) to the Back Panel (6) using Cam Locks (C). Use a screwdriver to secure.



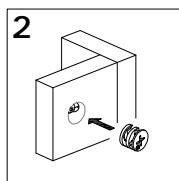
Tip

Cam Locks

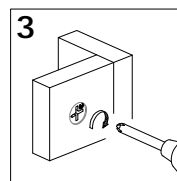
Cam Locks help securely join two pieces together.
Follow these easy steps.



1: Insert Cam Bolt into bolt holes on the flat side. Don't over tighten!



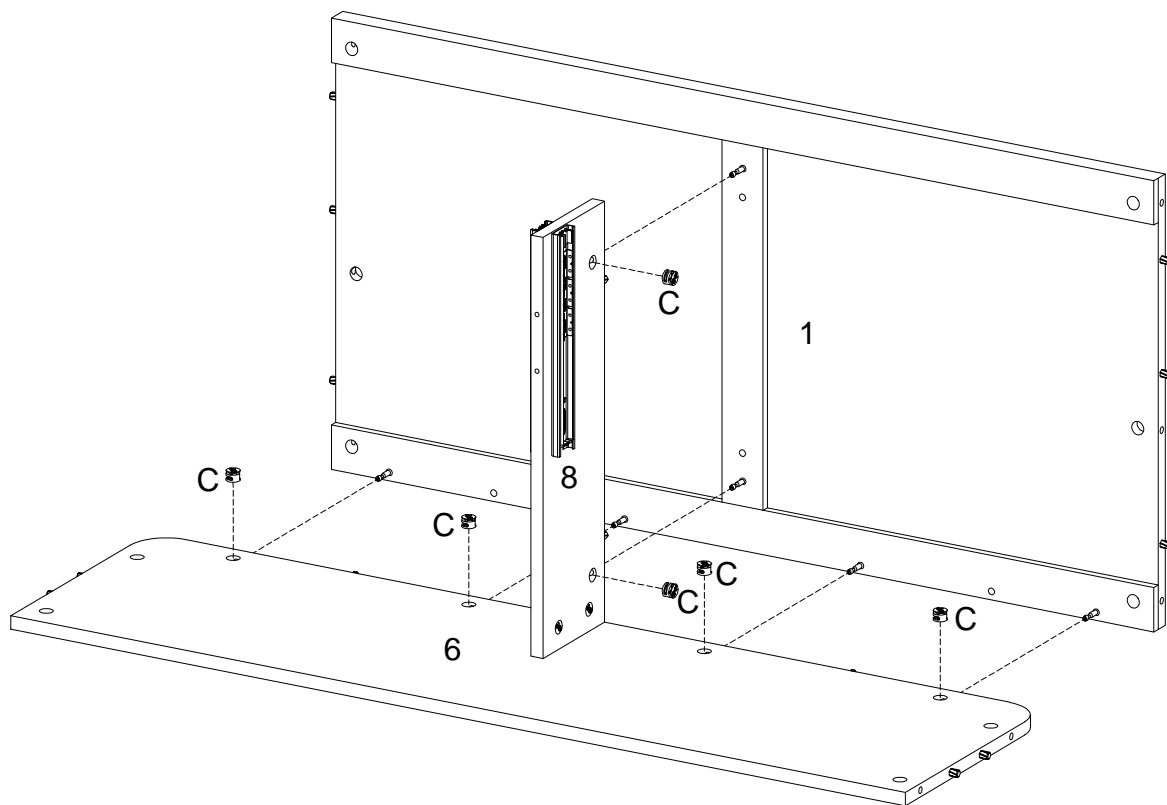
2: Fit the proper holes on the edge of the other part over the Cam Bolts. You should be able to see the cam bolts through the larger hole on the side.



3: On the back of the Cam Lock will be a "C" shape. Insert the Cam Lock so the opening of the "C" fits over the Cam Bolt. Tighten with the screwdriver.

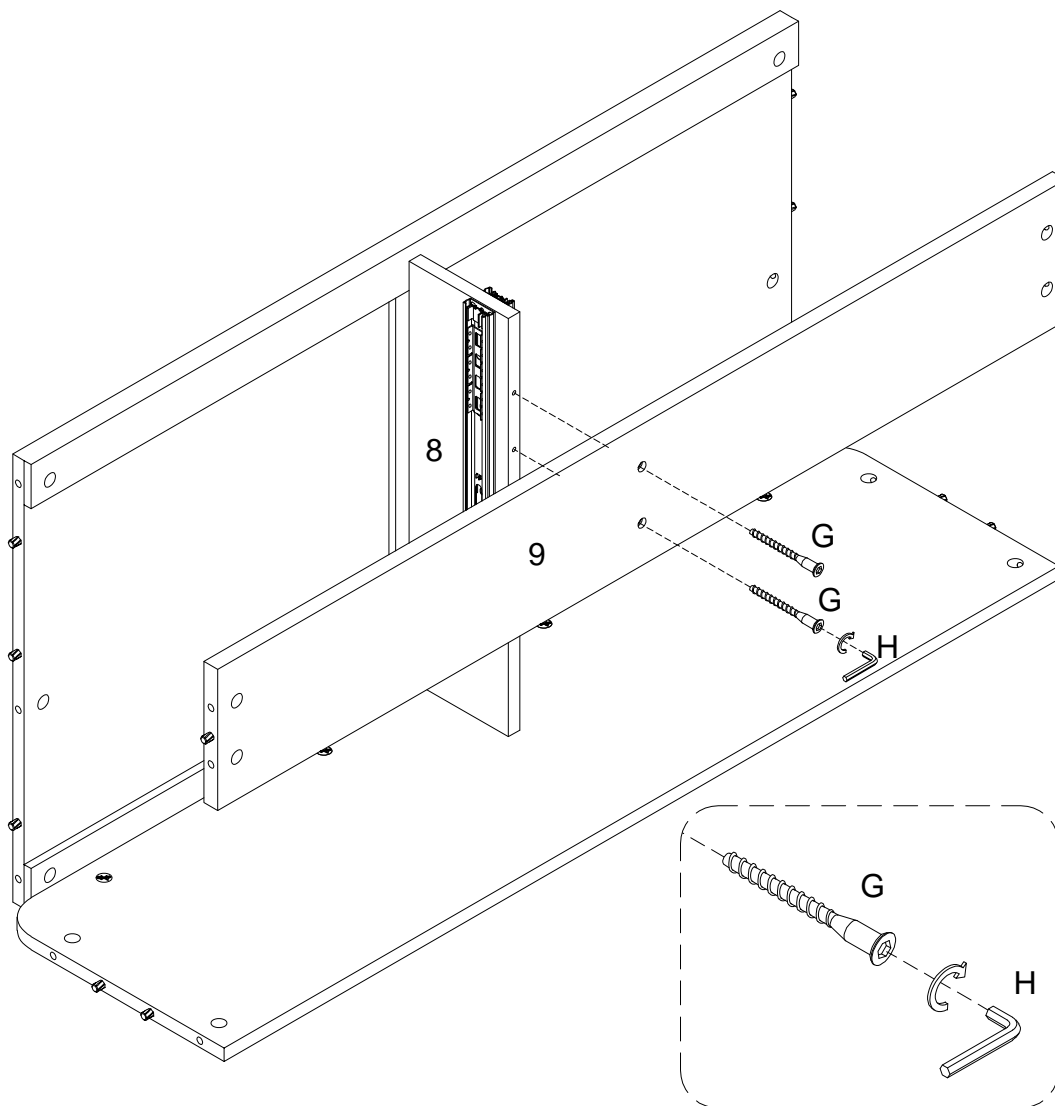
Step 10

Now, you'll attach the Desktop Panel (1) to the Back Panel (6) and the Drawer Divider (8). Using Cam Locks (C), secure with a screwdriver.



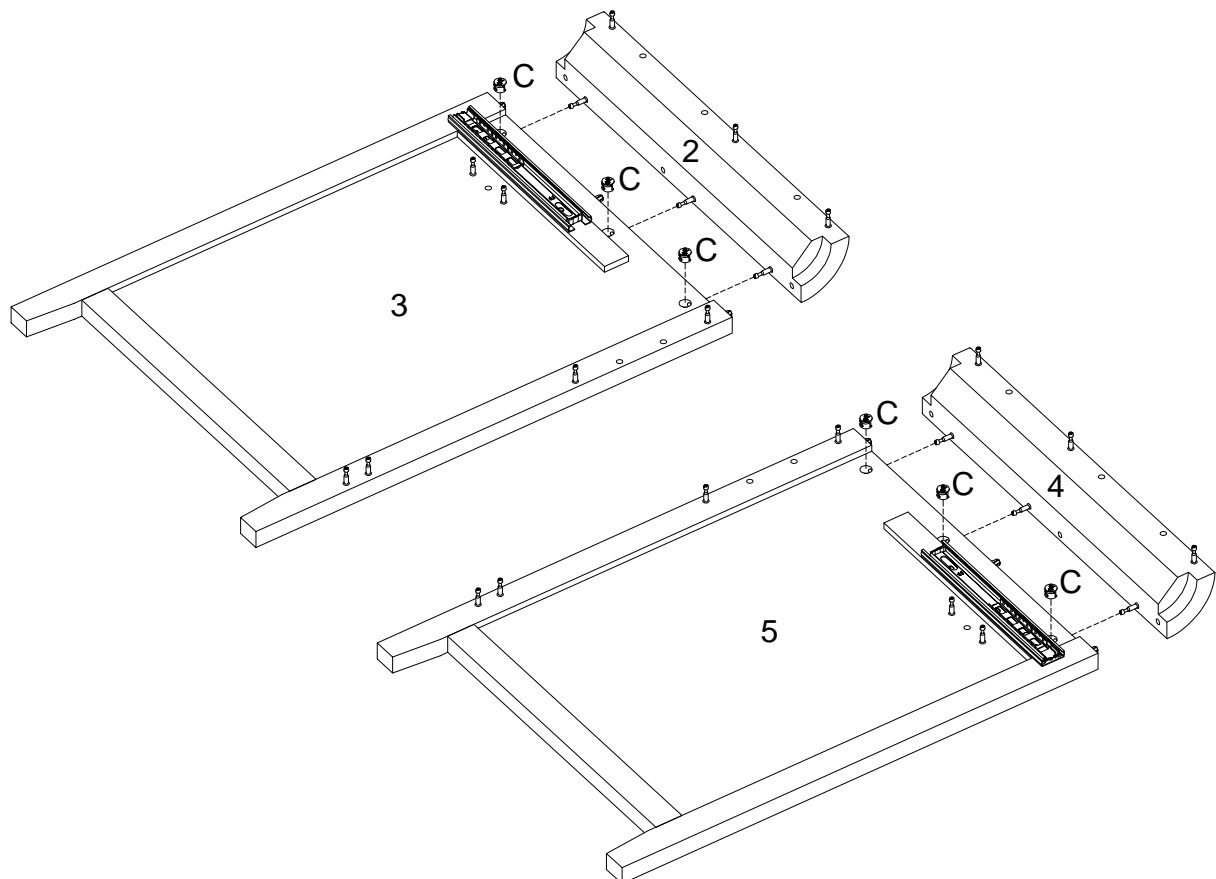
Step 11

Secure the Drawer Support Panel (9) to the bottom of the Drawer Divider (8) using 50mm Screws (G).



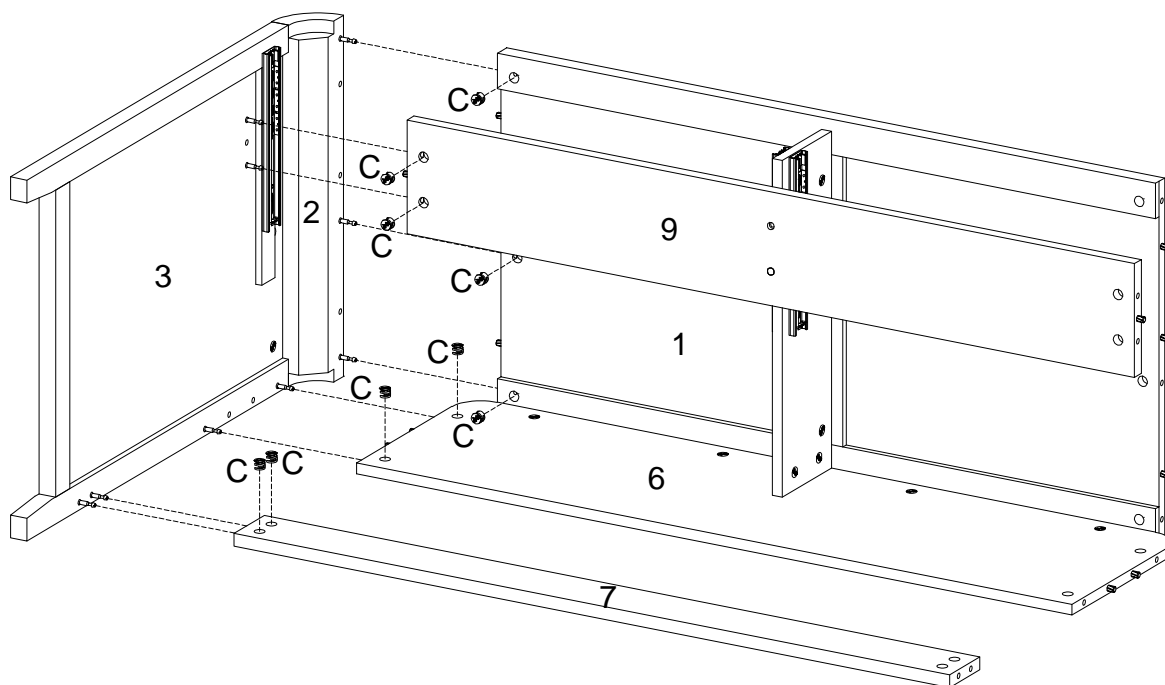
Step 12

Attach the Left Corner Panel (2) to the Left Side Panel (3). Secure with Cam Locks (C). Following the same steps, attach the Right Corner Panel (4) to the Right Side Panel (5). Secure with Cam Locks (C).



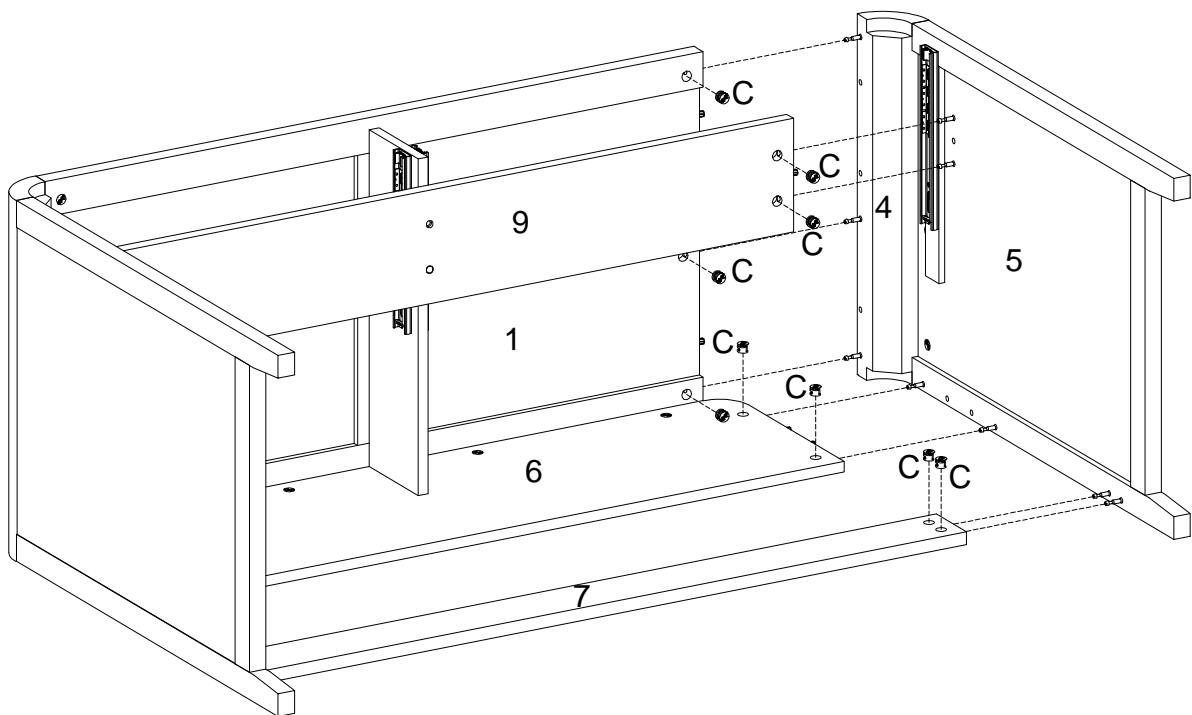
Step 13

Attach the Left Side Panel (3) and Left Corner Panel (2) to the body of the Desk. It will attach to the Desktop Panel (1), Drawer Support Panel (9), Back Panel (6), and Support Panel (7). Secure with Cam Locks (C).



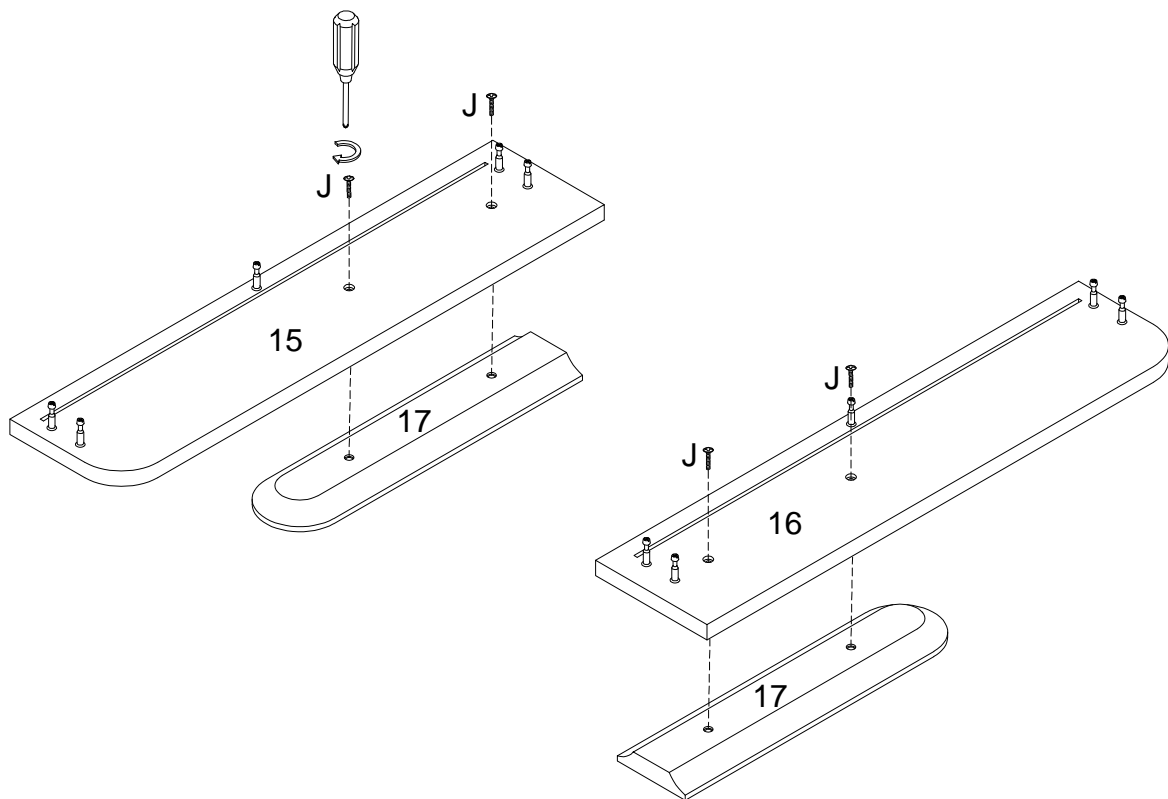
Step 14

Repeat the same process with the Right Side Panel (5) and Right Corner Panel (4). Secure with Cam Locks (C).



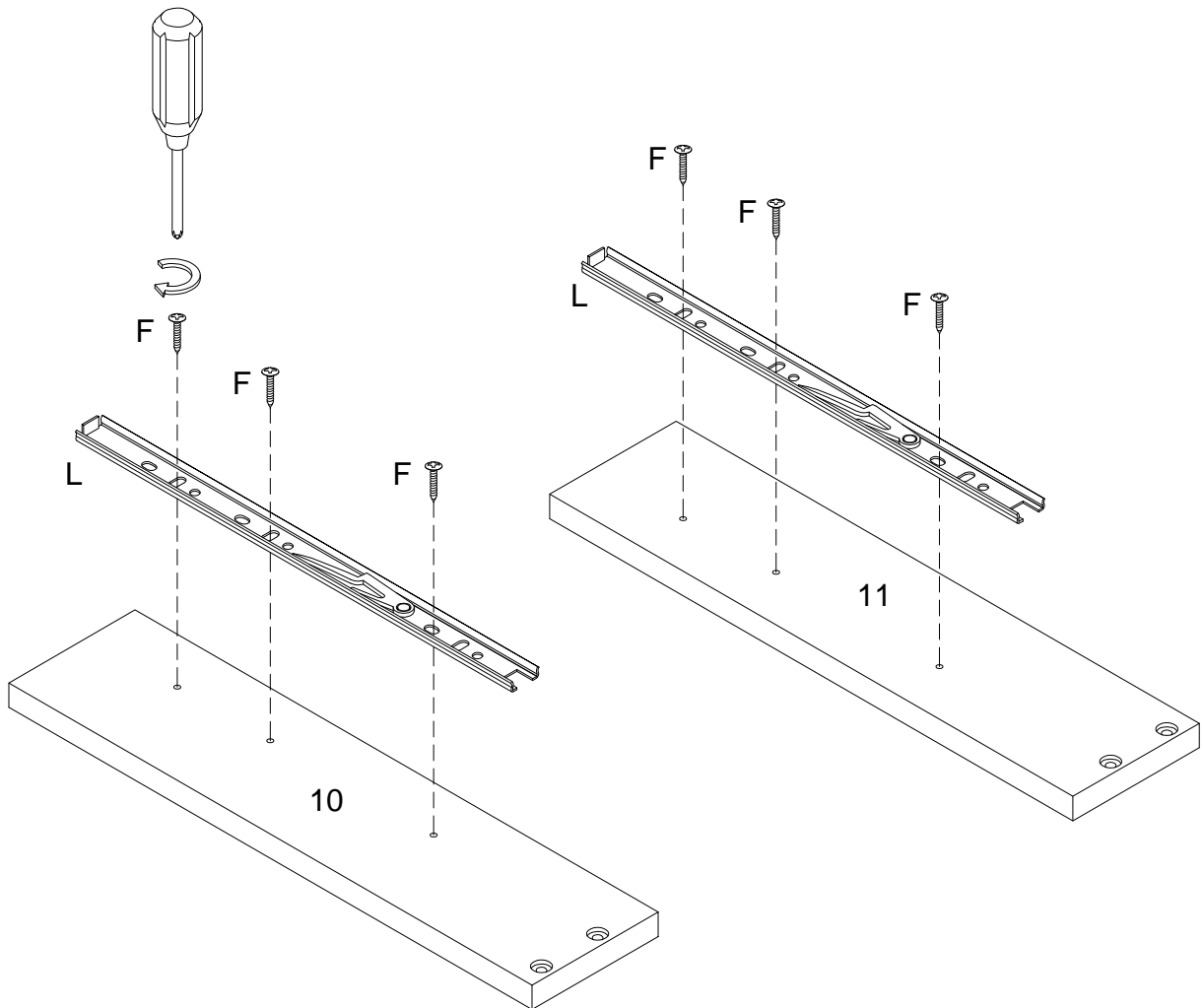
Step 15

Attach the two Drawer Pulls (17) to the Drawer Fronts (15) and (16). Ensure that they are facing the correct direction and then secure with 22m Bolt (J).



Step 16

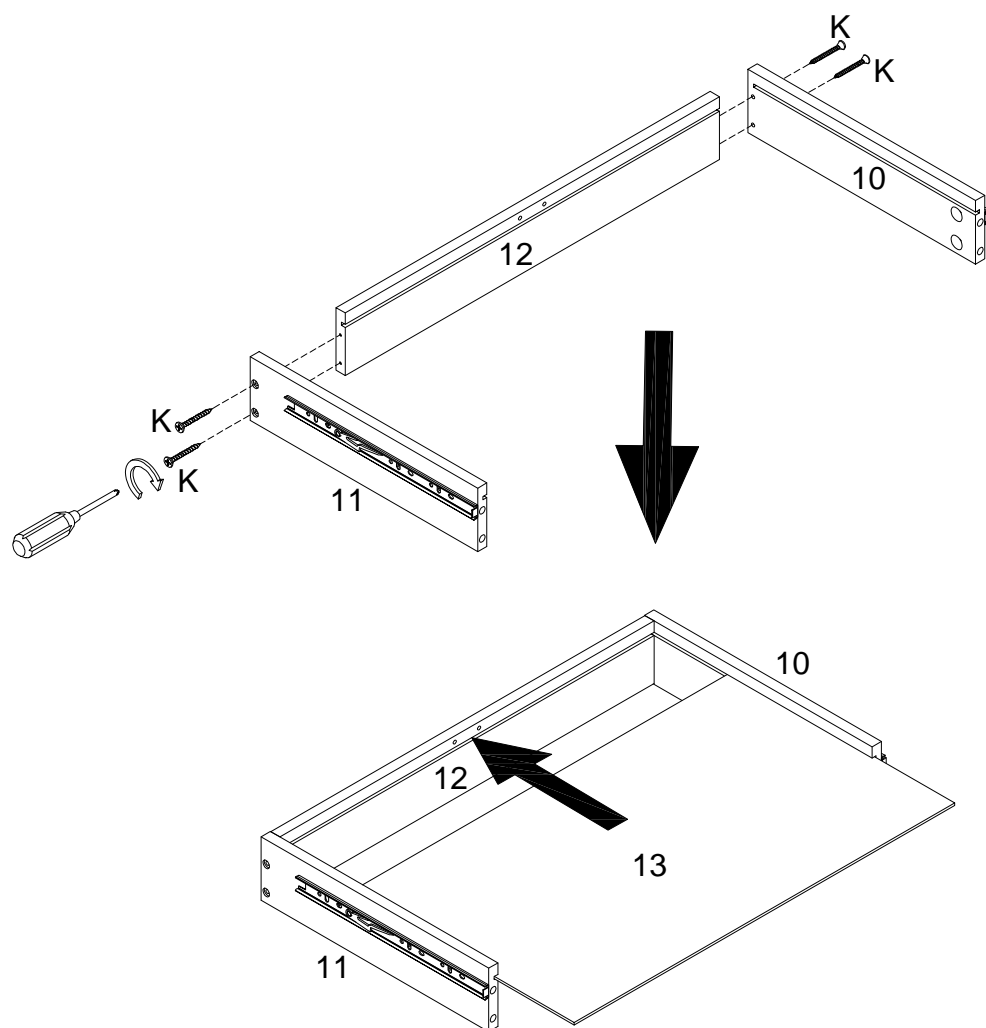
Now, take the drawer members you previously detached from the Drawer Glides (L). Attach to Drawer Sides (11) x2 and (10) x2. Ensure that they are facing the correct direction according to the diagram.



x 2

Step 17

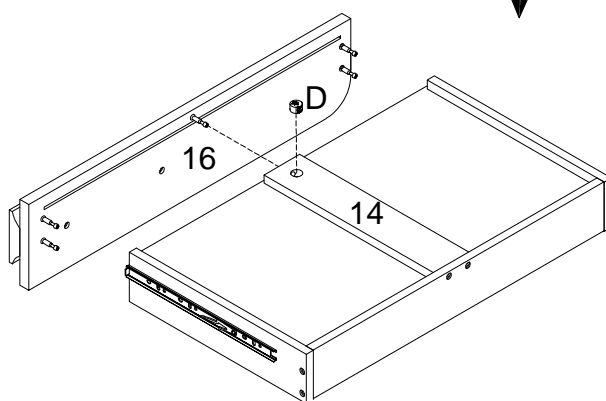
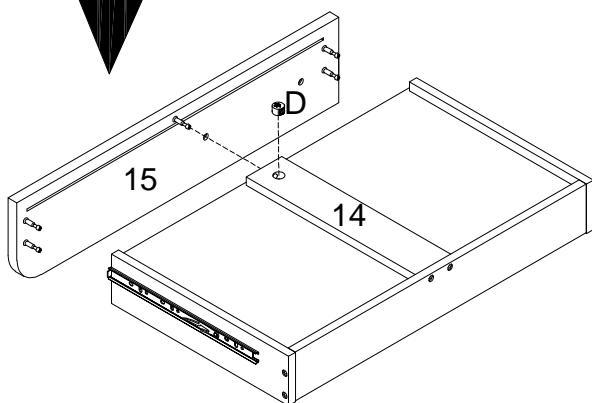
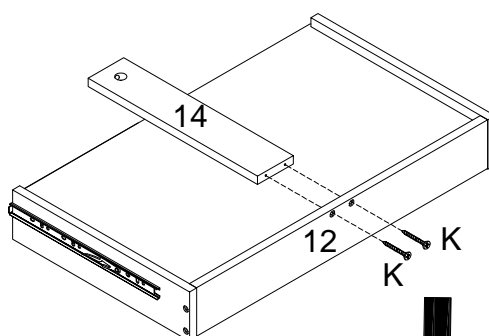
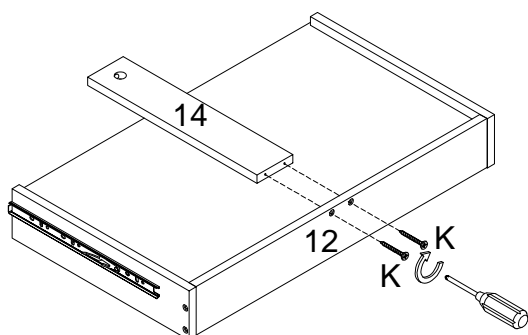
Let's construct the drawers. Attach the Left Drawer Panel (10) and the Right Drawer Panel (11) to the Back Drawer Panel (12) using 38mm Screws (K). Insert the Bottom Drawer Panel (13) using the guides.



x 2

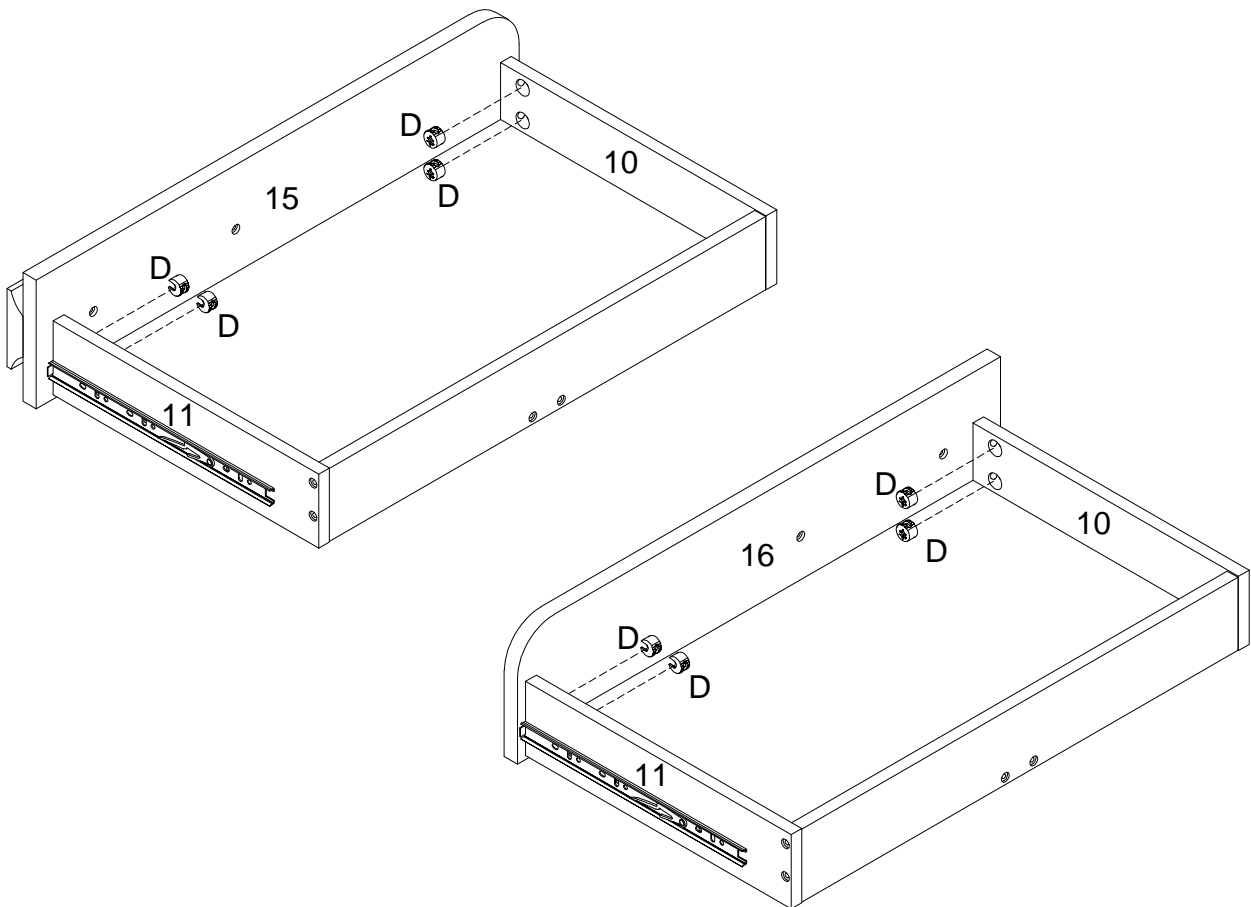
Step 18

Secure Drawer Support (14) into the Back Drawer Panel (12) and secure with 38mm Screws (K). Then attach Front Drawer Panels (15) and (16) to the Drawer Support (14) using Cam Locks (D).



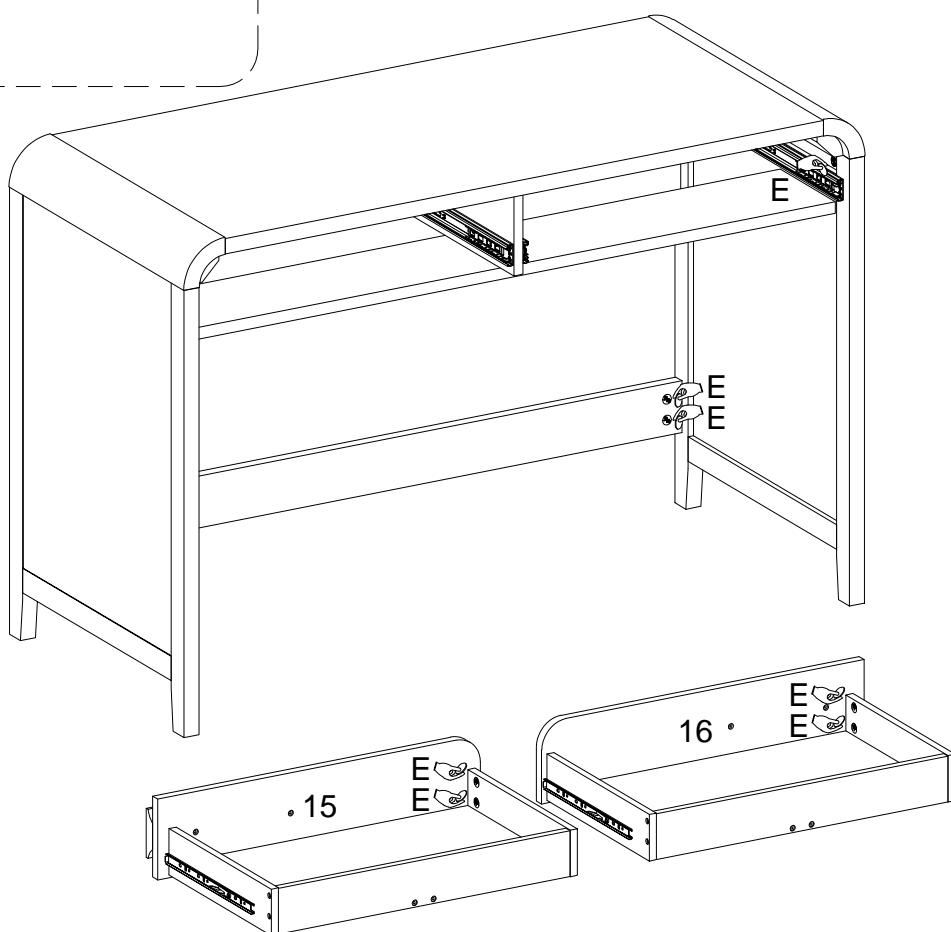
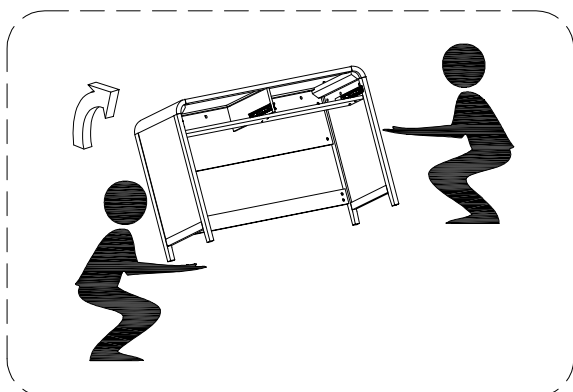
Step 19

Flip the drawer over and secure Front Drawer Panels (15) and (16) to both Side Panels (10) and (11) using Cam Locks (D).



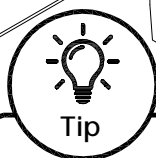
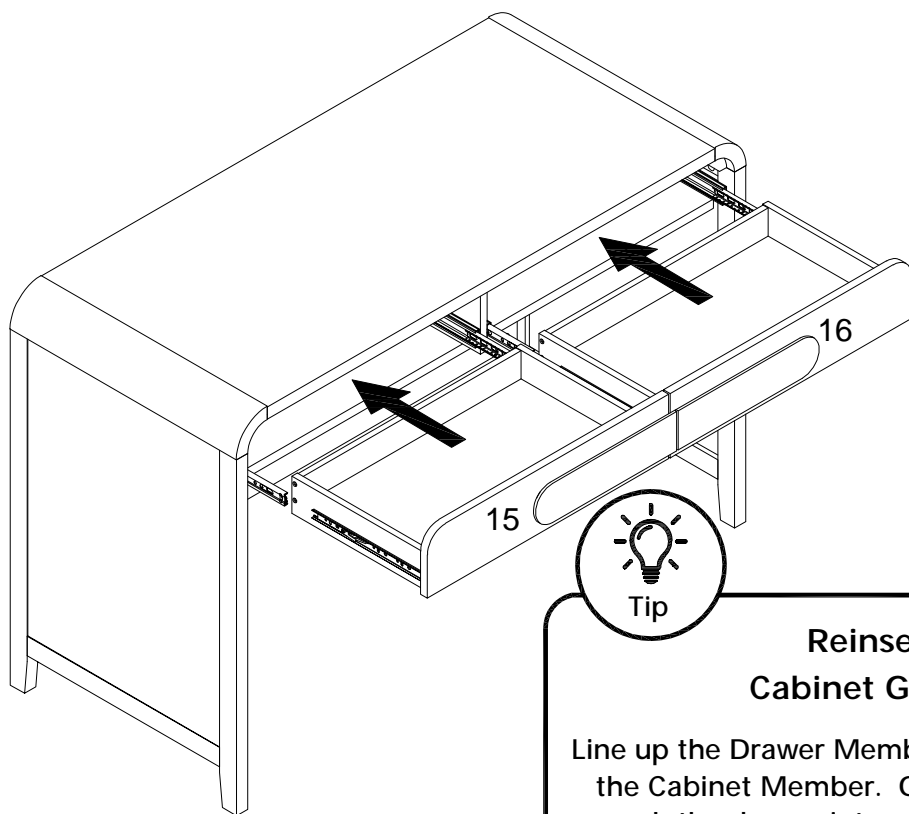
Step 20

With the help of a friend, place the dresser upright. Place Stickers (E) over any visible cam locks.



Step 21

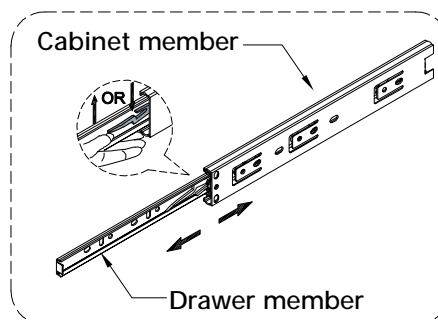
Insert drawers into place by lining up the cabinet member and drawer member pieces of your Drawer Glides (L). And there you have it! Good work, enjoy your new desk!



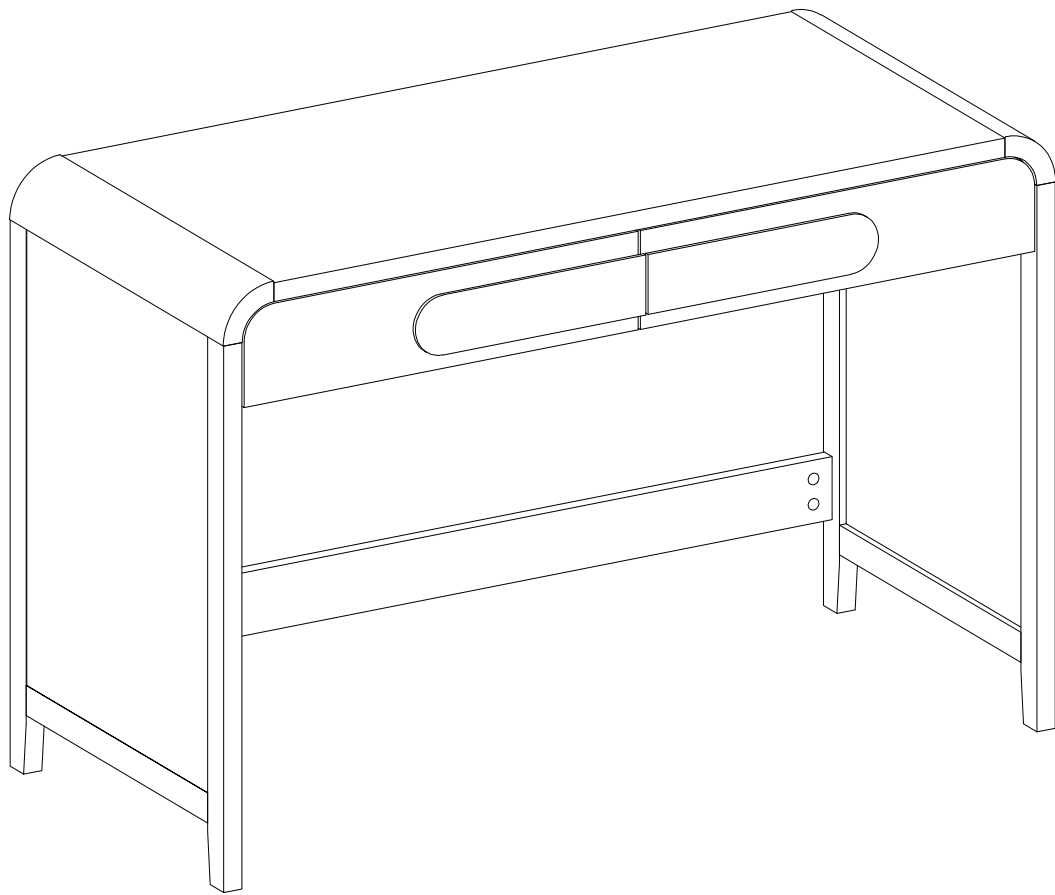
Tip

Reinserting your Cabinet Glides together

Line up the Drawer Member so it is inside the guides of the Cabinet Member. Once the connection is made, push the drawer into place entirely. It may not be a smooth glide on your first try, but will improve after it's fully inserted.



Final Assembly



Congratulations on your new piece of furniture!

We would love to hear about it and see it.
Please leave us a review or post a picture with
#mywalkerredisonhome

Assembling furniture can be tricky sometimes.

Our customer service team, located in Utah, is here for product information, help assembling a product, or for any other customer support issue

Call us at **801-433-3008**

Email us at service@walkeredison.com

Visit our Customer Service website at walkeredison.com/pages/customer-service

We are available to help Monday -Thursday 8am-5pm, Friday 8am-3pm MST

For details on Assembly Videos, Assembly Instructions, Replacement Parts, and Customer service,

SCAN HERE

