

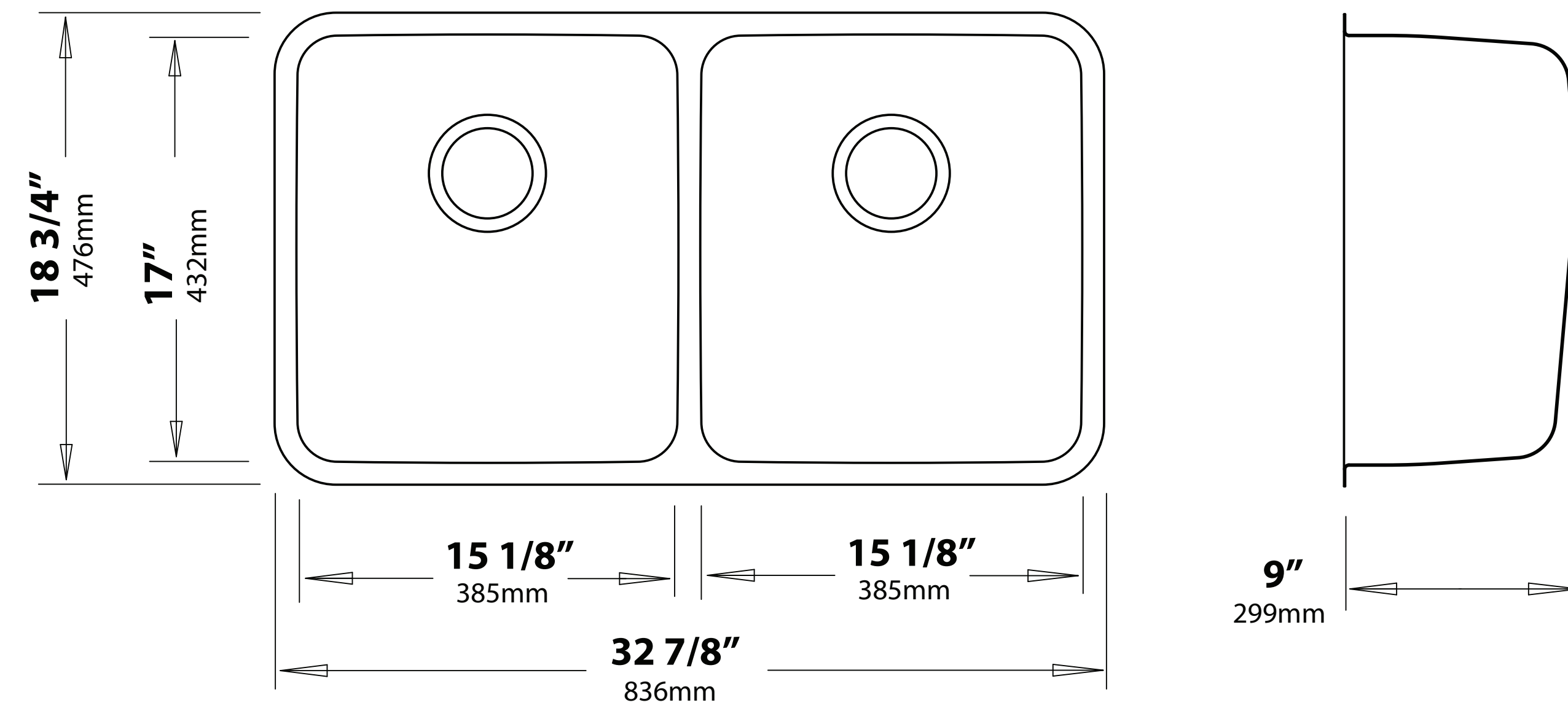
Dotted line size: 792*432mm

Kräus[®]
www.kraususa.com

Model No.
KA1UD33B

Undermount Cut-out

Pro Hotline: 516.801.8955
Customer Service: 800.775.0703



NOTE: Cutout template is provided as a guide **ONLY** and must be checked against actual sink to verify correct fit.

- Please cut along inner solid line for negative reveal 1/8" →
- Please tear perforated edge for zero / flushed reveal →
- Please use outer edge for positive reveal 3/8" →