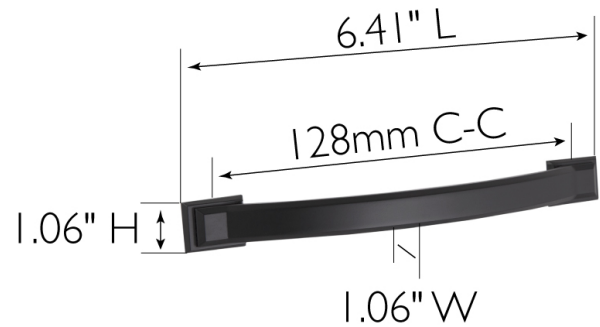


Devan Pull 5" Center-to-Center, 10-Pack
Matte Black



SPECIFICATIONS

| | |
|--------------------------------|-----------------------------|
| MATERIAL CONSTRUCTION: | Zinc |
| MOUNTING HARDWARE INCLUDED: | Yes |
| TOOLS NEEDED FOR INSTALLATION: | Screwdriver |
| ASSEMBLED DIMENSIONS: | 1.06" H x 6.41" L x 1.06" W |
| ASSEMBLED WEIGHT: | 1.65 lbs. |
| PROJECTION: | 1.06" |
| MOUNTING HARDWARE SIZE: | 1/4" x 1" and 1/4" x 1 3/4" |

| | |
|-------------------------------|-------------------------|
| WARRANTY: | 1-Year limited warranty |
| LEGAL FOR SALE IN CALIFORNIA: | Yes |



TYPE:
JOB:
ORDER CODE:
APPROVALS: