

**BOSS**<sup>®</sup>  
AUDIO SYSTEMS

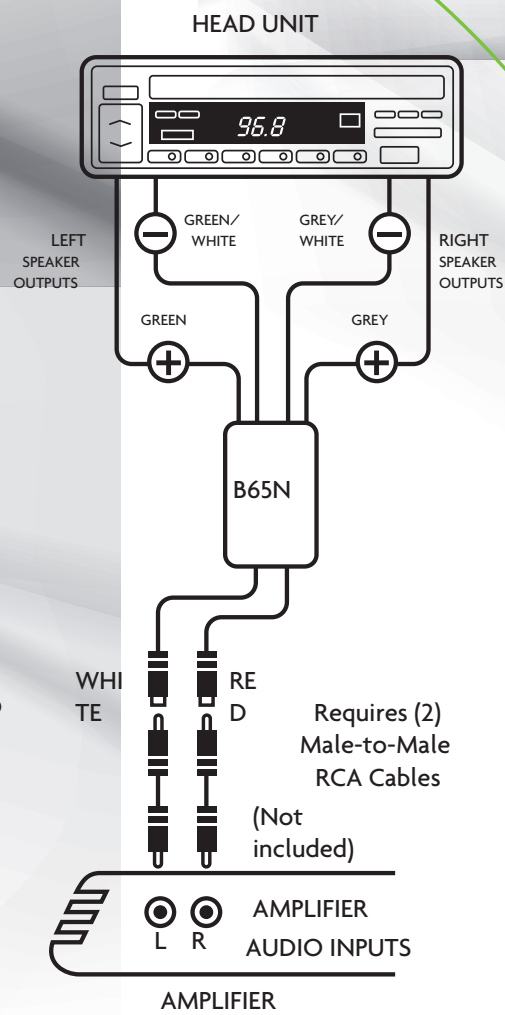


**B65N** HIGH LEVEL TO LOW  
LEVEL CONVERTER

FEATURES INPUT SENSITIVITY  
ADJUSTMENT

**B65N HIGH LEVEL TO LOW LEVEL CONVERTER** is designed to convert “regular” or “high-level” outputs from head unit to pre-amp “line-out” or “low” level inputs.

**B65N HIGH LEVEL TO LOW LEVEL CONVERTER** provides common ground signal output with adjustable level controls for each channel for optimal audio reproduction. B65N works with most common fader configurations found in many car audio systems.



**BOSS**<sup>®</sup>  
AUDIO SYSTEMS

**HIGH/LOW LEVEL IMPEDENCE CONVERTER MODEL  
NO. B65N**

**INPUT**

- GREY ..... RIGHT [+]
- GREY/WHITE ..... RIGHT [-]
- GREEN ..... LEFT [+]
- GREEN/WHITE ..... LEFT [-]

**OUTPUT (RCA)**

- RED..... RIGHT
- WHITE .....LEFT



SET LEVEL

LABEL