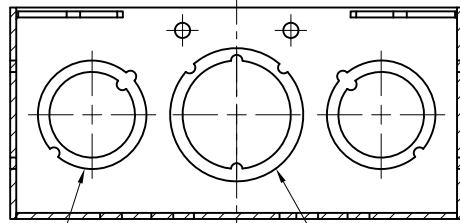


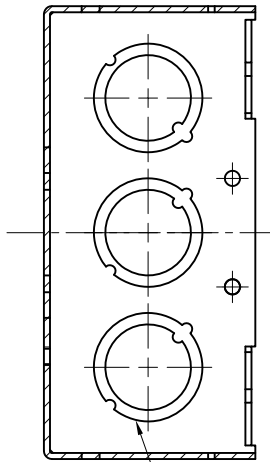
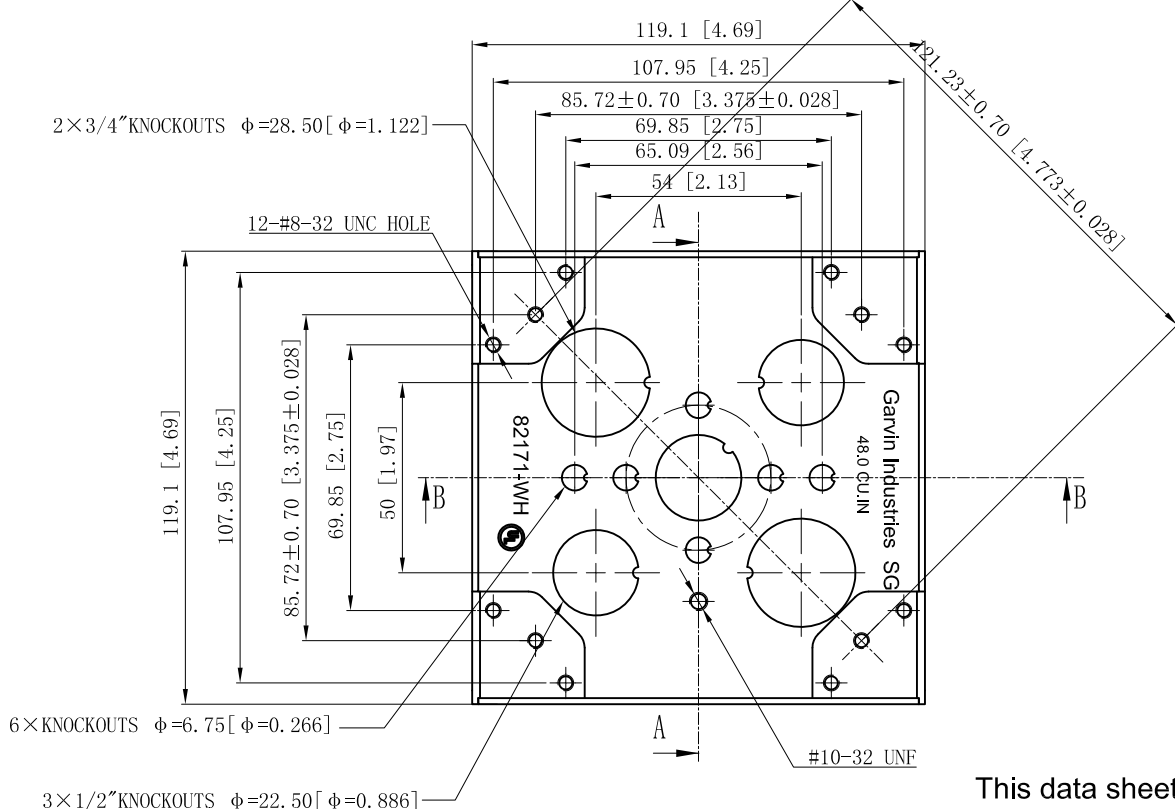
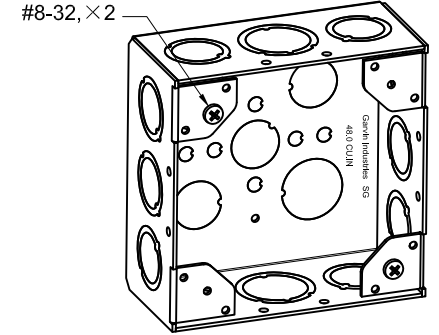
SIDES	BOTTOM
2 3/4"-1" MOON KNOCKOUTS	2 3/4" KNOCKOUTS
10 1/2"-3/4" MOON KNOCKOUTS	3 1/2" KNOCKOUTS
2 PCS #8-32x1/2 Screw Installed	
Material: Steel-0.0625"-C.R.S White powder coating	



4 x 1/2"-3/4" MOON KNOCKOUTS $\phi=22.5$ [$\phi=0.886$]
 $\phi=28.5$ [$\phi=1.122$]

CUTAWAY VIEW B-B

2 x 3/4"-1" MOON KNOCKOUTS $\phi=28.5$ [$\phi=1.122$]
 $\phi=35.0$ [$\phi=1.378$]



6 x 1/2"-3/4" MOON KNOCKOUTS $\phi=22.5$ [$\phi=0.886$]
 $\phi=28.5$ [$\phi=1.122$]

This data sheet is for reference only. GARVIN INDUSTRIES reserves the right to make changes to the design without prior notice.

DESCRIPTION
TRADE REFERENCE TERMS

STANDARD PACKING

GARVIN INDUSTRIES		
TITLE 4-11/16" SQUARE BOXES 2-1/8" DEEP		
SIZE A4	DWG NO. 82171-WH	REV B
DATA SHEET		
www.garvinindustries.com		