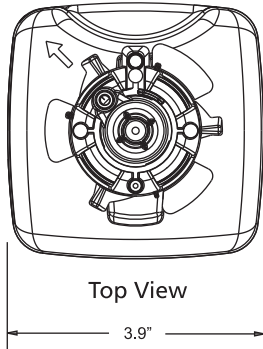


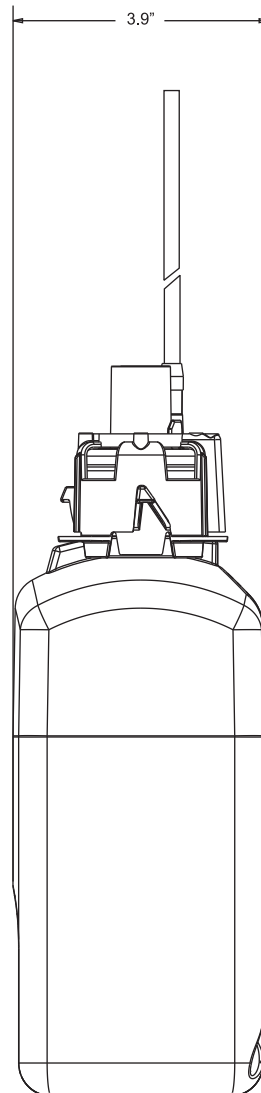
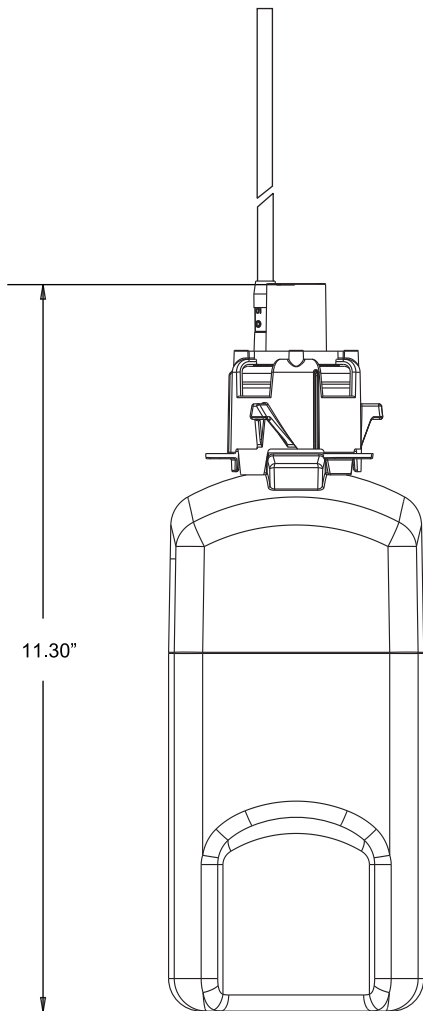
PURELL® PROFESSIONAL FRESH SCENT FOAM SOAP - 1.5L REFILL DIMENSIONS

8561-02



Use the dimensions provided to ensure adequate wall spacing and clearance for the unit.

Refill sold separately.



GOJO Industries, Inc.
One GOJO Plaza, Suite 500
P.O. Box 991 • Akron, OH 44309-0991
Tel: 1-330-255-6000 • Toll-free: 1-800-321-9647
Fax: 1-800-FAX-GOJO