

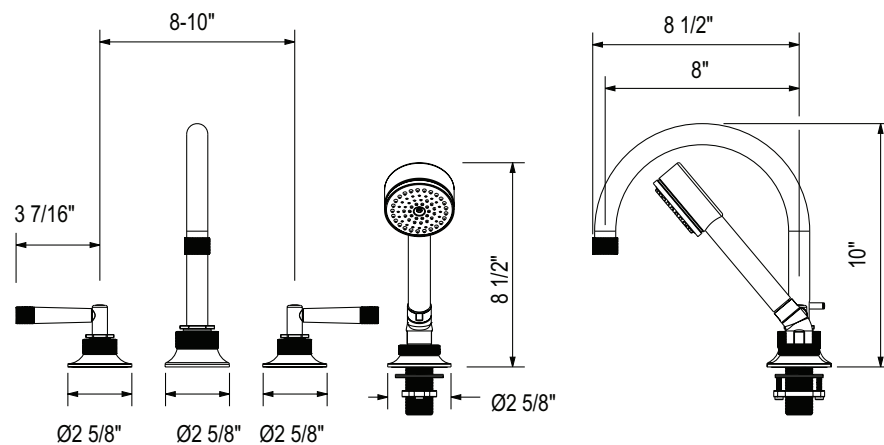


GRACELINE® 4 HOLE DECK MOUNT TUB FILLER WITH HAND SHOWER

MB06D4LM (Metal Levers)

FEATURES

- 1-jet anti-calcium handshower at 1.8 GPM at 60 PSI
- Matching lavatory faucet MB2019
- 10-12 GPM at 60 PSI (CEC compliant)
- 4 x 1 3/8" cutouts
- 1/4-turn ceramic valves
- 8" center to center spout, total length 8 1/2"
- 74" decorative handshower hose
- Includes all hoses for connections



For warranty or additional information, contact:

US customers

U.S.A.
HOUSEOFROHL.COM
1-800-777-9762

Canadian customers

QUEBEC / MARITIMES / WESTERN CANADA
QUÉBEC / MARITIMES / OUEST CANADIEN
QUEBEC / MARITIMOS / CANADA OCCIDENTAL
HOUSEOFROHL.CA
1-866-473-8442

ONTARIO
HOUSEOFROHL.CA
1-800-287-5354