

LIMITED WARRANTY

To the consumer, Guardian Technologies LLC warrants this product to be free of defects in materials or workmanship commencing upon the date of the original purchase. In order to be eligible for this Limited Warranty, an original sales receipt or comparable substitute proof of purchase bearing the date of original purchase is required. Refer to the original product carton or specific product/model page on the Guardian Technologies website for warranty length for your particular model. This warranty applies only to the original purchaser of this product from the original date of purchase. This warranty covers product purchased from authorized distributors only.

This warranty applies to repair or replacement of product found to be defective in materials or workmanship. This warranty does not apply to damage resulting from unusual wear, commercial, abusive, unreasonable use or supplemental damage. This warranty does not cover damage from unauthorized repairs or from any use not in accordance with the instruction manual. Defects that are the result of normal wear and tear will not be considered manufacturing defects under this warranty.

If this product should become defective within the warranty period, we will repair or replace any defective parts free of charge. All warranty repairs must be completed by Guardian Technologies LLC. This warranty gives you specific legal rights and you may also have other rights (other rights may vary from state to state in the U.S.A.)

To submit product under warranty the complete machine must be delivered pre-paid to GuardianTechnologies LLC. Please include complete information including: the problem, the model number of the product, the day of purchase, and a copy of the original sales receipt along with your name, address, and telephone (email optional). Address returns to the attention of: Customer Service, at the address below. Additional questions or comments can be made toll free to the number listed below.

USA and Canada
Guardian Technologies LLC
26251 Bluestone Blvd.
Euclid, Ohio 44132
1.866.603.5900
www.guardiantechnologies.com

Please go to www.guardiantechnologies.com to register your product. We consider the registration process important to ensuring superior service to our customers, however submitting the warranty registration is optional and does not affect your rights to utilize this warranty according to the conditions stated above.

Additional copies of the instruction manual can be obtained by accessing and printing directly from our website or calling customer service.

The *Bluetooth*® word mark and logos are registered trademarks owned by the Bluetooth SIG, Inc. and any use of such marks by Guardian Technologies is under license.

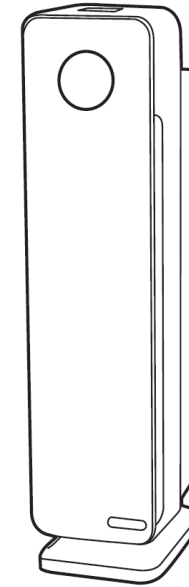
Other trademarks and trade names are those of their respective owners.

Amazon, Echo, Alexa and all related logos are trademarks of Amazon.com, Inc. or its affiliates.

©2016 Guardian Technologies LLC



USE & CARE INSTRUCTIONS



Wifi & Bluetooth® enabled **Smart Air Purifier**

Model No. CDAP4500
3-Year Limited Warranty

Customer Service
1.866.603.5900

www.guardiantechnologies.com

Date Purchased month _____ year _____

English E - 1 French F - 1 Spanish S - 1

Note: Use GENUINE GuardianTechnologies replacement parts only.

REV0920

READ AND SAVE THESE INSTRUCTIONS WARNINGS

Failure to comply with the warnings listed below may result in electric shock or serious injury.



This product should be used only in accordance with the specifications outlined in this manual. Usage other than what has been specified here may result in serious injury.

When using electrical appliances, basic precautions should always be followed to reduce the risk of fire, electric shock and injury to persons, including the following:

- Read all instructions before using appliance.
- Caution is necessary when any appliance is used by or near children or people with disabilities and whenever the appliance is left operating unattended.
- **IMPORTANT** - This appliance has a polarized plug (one blade is wider than the other). To reduce the risk of electric shock, this plug is intended to fit in a polarized outlet only one way. If the plug does not fit fully in the outlet, reverse the plug. If it still does not fit, contact a qualified electrician. Do not attempt to defeat this safety feature.
- To avoid fire or shock hazard, plug the appliance directly into a 120V AC electrical outlet.
- Keep the cord out of heavy traffic areas. To avoid fire hazard, NEVER put the cord under rugs, near heat registers, radiator, stoves or heaters.
- To protect against electrical hazards, DO NOT immerse in water or other liquids. Do not use near water.
- Extreme caution is necessary when any appliance is used by or near children or people with disabilities and whenever the appliance is left operating unattended.
- Always unplug the air purifier before moving it, opening the grill, changing filters, cleaning or whenever the air purifier is not in use. Be sure to pull by the plug and not the cord.
- NEVER drop or insert any object into any openings.
- DO NOT run cord under carpeting.
- DO NOT cover cord with throw rugs, runners, or similar coverings.
- DO NOT route cord under furniture or appliances. Arrange cord away from traffic area and where it will not be tripped over.
- DO NOT operate any appliance with a damaged cord or plug, if motor fan fails to rotate, after the appliance malfunctions, or if it has been dropped or damaged in any manner. Call Customer Service at 1.866.603.5900 for assistance.
- Use appliance only for intended household use as described in this manual. Any other use not recommended by the manufacturer may cause fire, electric shock or injury to persons.
- DO NOT use outdoors.
- DO NOT place anything on top of unit.
- NEVER block the air openings, grills/outlets or place on a soft surface such as a bed or sofa, as this could cause the unit to tip over, blocking the air intake or outtake opening.
- DO NOT attempt to repair or adjust any electrical or mechanical functions on this unit. Doing so will void your warranty. The inside of the unit contains no user serviceable parts. All servicing should be performed by qualified personnel only.

- **WARNING:** To reduce the risk of fire or electric shock, do not use this fan with any solid-state speed control device.
- **WARNING:** Skin or eye damage may result from directly viewing the light produced by the lamp in this apparatus. Always disconnect power before replacing lamp or servicing. Replace Lamp With Model No. LB4000, Manufactured by Guardian Technologies.
- Always unplug the unit before cleaning or servicing in any way.
- **CAUTION:** Do NOT use gasoline, benzene, thinner, harsh cleaners, etc. on and/or in the unit while cleaning as they will damage the product. NEVER use alcohol or other solvents.
- The device only supports 2.4GHz connections.

The 8 hour TWA Ozone for this product is 0.001 ppmv when tested in a 30 m³ chamber. The product complies with the maximum allowable concentration of ozone of 0.050 parts per million by volume (ppmv) in a 24-hour period. The Health Canada Guideline 2010 recommends that the maximum exposure limit, based on averaging time of 8 hours, is 0.020 ppmv or less when tested in a sealed, controlled room approximately 30 m³.



WARNING: Cancer or Reproductive Harm.
For more information go to www.P65Warnings.ca.gov.



LAMP CONTAINS MERCURY



Manage in accordance with Spills, Disposal and Site Cleanup Requirements. In case of breakage, follow clean-up procedures provided by contacts below.

www.epa.gov/cfclcleanup 1-866-284-4010



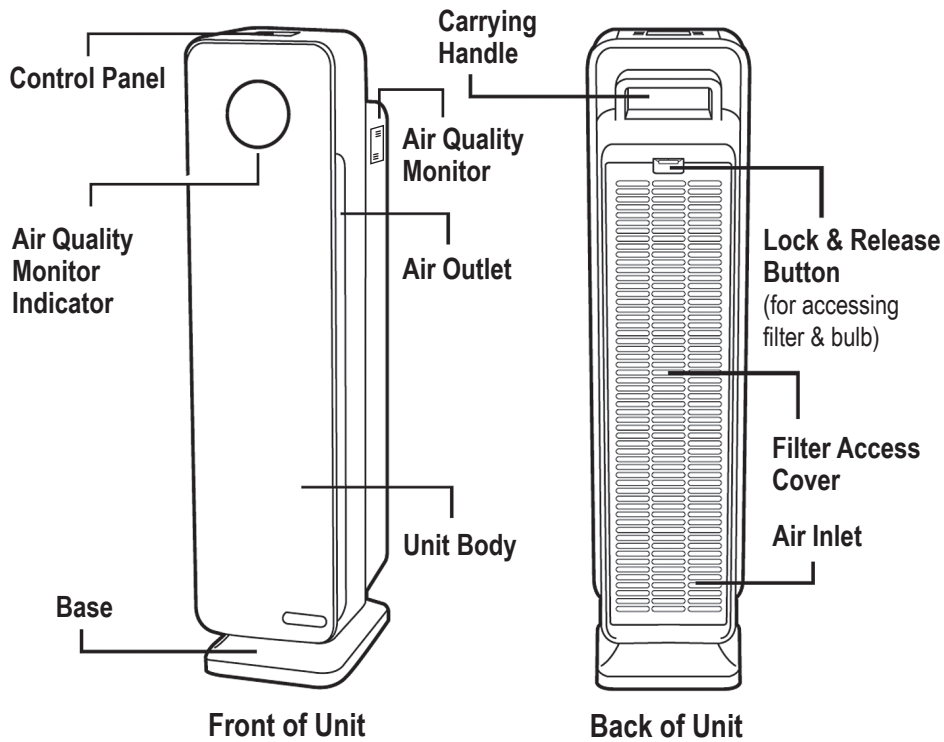
This device complies with part 15 of the FCC Rules. Operation is subject to the following two conditions: (1) This device may not cause harmful interference, and (2) this device must accept any interference received, including interference that may cause undesired operation.

FCC Radiation Exposure Statement: This equipment complies with FCC radiation exposure limits set forth for an uncontrolled environment. In order to avoid the possibility of exceeding the FCC radio frequency exposure limits, Human proximity to the antenna shall not be less than 20 cm (8 inches) during operation.

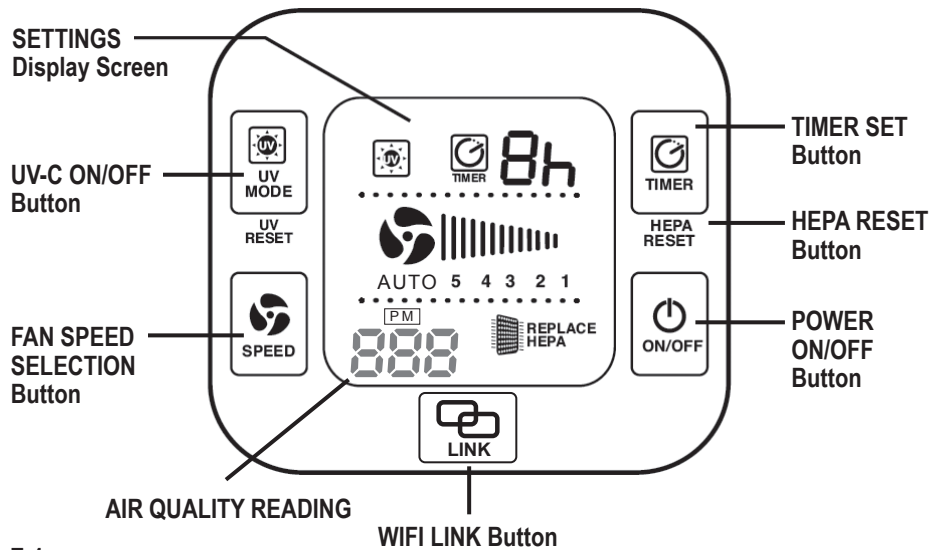


This product earned the ENERGY STAR label by meeting strict energy efficiency guidelines set by the U.S. EPA. Room air cleaners have demonstrated the potential for improving air quality and providing health benefits. EPA does not endorse manufacturer claims regarding the degree to which a specific product will produce healthier indoor air. The energy efficiency of this ENERGY STAR certified model is measured based on a ratio between the model's CADR for Smoke and the electrical energy it consumes, or CADR/Watt.

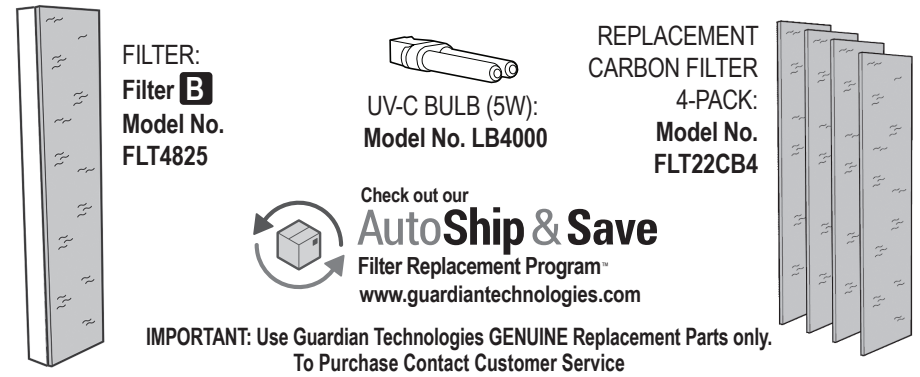
PRODUCT SPECIFICATIONS AND PARTS



CONTROLS



REPLACEMENT PARTS



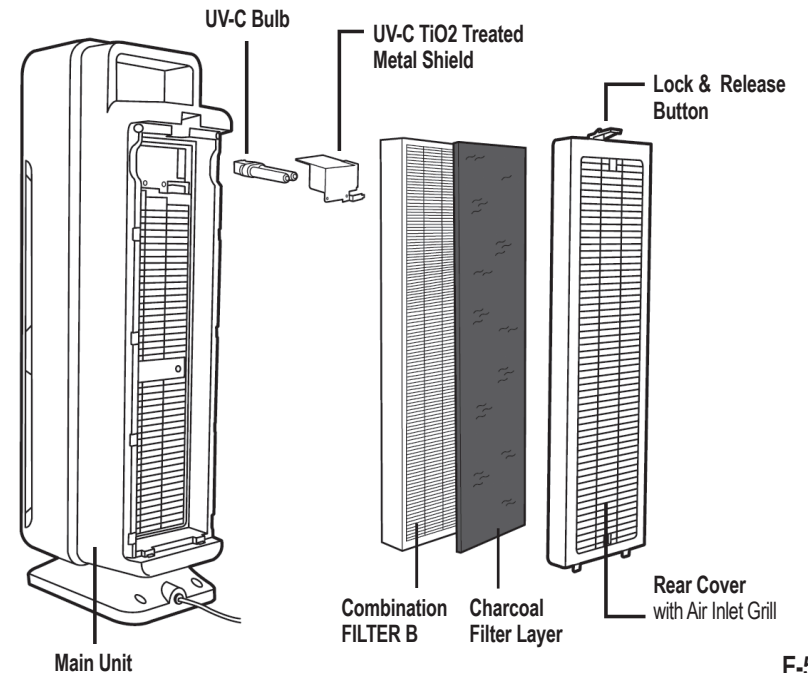
WiFiSmart Air Purifier

Improve your indoor air quality with your new GermGuardian WiFi and Bluetooth Smart Enabled Air Cleaning System. Multiple levels of cleaning provide allergy relief, fight germs and reduce unpleasant odors.

The Smart Air Quality Monitor (AQM) detects the amount of particles in the air and will automatically adjust the speed of the purifier to optimize room air quality when set in auto mode.

Easily download the GuardianTechnologies app and you can control the system wirelessly with a smartphone. This product is enabled with Bluetooth Smart (Low Energy) technology which enables a wireless connection over short distances using a low level of energy. When your smartphone is out of Bluetooth range, it will automatically switch to a WiFi connection that you select during your set up process.

AIR CLEANING LAYERS



BEFORE OPERATING THE AIR PURIFIER

1. Select a firm, level and flat location for the air purifier.
 - For proper air flow, locate the unit at least 1 foot from any wall or furniture.
 - Make sure none of the grills are blocked.
 2. Plug the power cord into a 120V AC outlet.
- IMPORTANT:** When moving the air purifier, always lift unit by the carrying handle located on back.

Wifi / Bluetooth® CONNECTION

We support iOS8 and above and **most** Android 5 and above



1. Plug the power cord into a 120V AC outlet.
2. Make sure your smartphone is connect to WiFi.
3. Download the Guardian Technologies™ free app to your smartphone from the Apple App Store or Google Play. Both location services and Bluetooth need to be on to be able to connect the device to the Guardian Technologies App.
4. Once installed, hold the **LINK** button until the wireless connection light blinks green.

Tip – Make sure smartphone is within arm's length of purifier during set up.
5. Complete WiFi connection as indicated on app set up instructions.

Tip – when in use, the device will automatically select between Bluetooth® and WiFi.



For more detailed app instructions, visit www.guardiantechnologies.com



Optional voice-activated control is available using the Amazon Echo™ products and the Guardian Technologies (Gi Gi) skill located in the Alexa™ app. Note: You must own an Echo product and have the Alexa app downloaded to your smartphone for the voice control capability. Follow the instructions in the Guardian Technologies app to set-up the voice control function and link it with the Amazon Alexa app. Before using, ensure your Guardian Wifi smart air purifier is connected to Wifi and your Guardian Technologies account.

OPERATING INSTRUCTIONS

Now you can control your air purifier both wirelessly and manually



1. Turn unit power ON.



2. Select fan speed MODE 1 - 5
 - 1 = low, ultra quiet sleep mode**
 - 5 = high speed allergen control**



AUTO MODE - The last fan speed is AUTO. When AUTO is selected the air purifier will change the fan speeds depending on the air quality level.



3. Select UV-C ON or OFF using UV-C Mode Button.

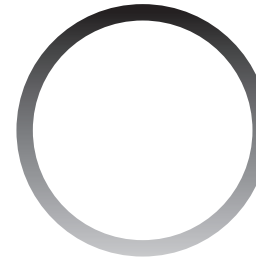


4. **TIMER:** If you prefer to run the purifier for a specific number of hours, you can select between 1 and 8 hours on the display.



5. **LINK** - Links Air Purifier to app set-up.
 - If green light appears Wifi can connect to Smartphone.
 - If red light appears Wifi cannot connect to Smartphone.

OPERATING INSTRUCTIONS (cont.)



Smart Air Quality Monitor (AQM): detects the amount of particulate matter (PM) in the air. The circular light on the front panel of the purifier is the AQM Indicator and it will change colors, indicating the air quality level in the room. The particulate matter value will be displayed on the control panel. See values and status ranges in chart below.

Auto Mode: when "Auto" mode is selected the SmartAQM will automatically adjust the speed level of the purifier to optimize the room air quality.



Your app will also display the color of the circle and provide the PM value.

Below are the color/values that can be displayed:

Ring Color	Particulate Matter Value (Range)	Air Quality Status
Green	0-100	Good
Yellow	101-200	Average
Red	201+	Poor



Filter Replacement Indicator: The Replace HEPA light on the display will illuminate and flash indicating that it is time to replace your filter. Replace the filter according to directions (E8) then press and hold the **TIMER** button on your purifier for 5 seconds to reset the system.



Your app will notify you and also display a banner when it is time to replace the filter.



UV Bulb Replacement Indicator: The "UV" light on the display will flash when it is time to replace the UV bulb. Replace the bulb according to direction (E9). To reset the UV-C Replacement Indicator, press and hold the **UV** button to reset system. Hold for 5 seconds and change reset to restart.



Your app will notify you and also display a banner when it is time to replace the bulb.

*Control Panel Beep/Sound: The sound emitted from pressing the buttons on the control panel can be turned off/on by holding the **SPEED** button for 5 seconds.

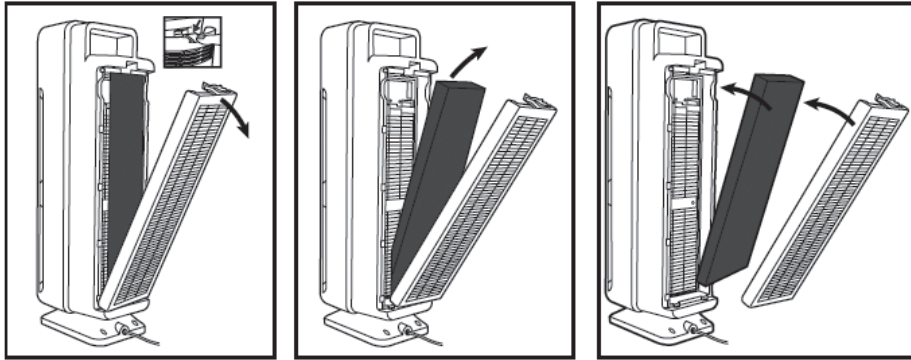
Visit this products page on www.guardiantechnologies.com for more information regarding the use of the Guardian Technologies app.

FILTER REPLACEMENT



The Replace HEPA light will flash continuously indicating that it is time to replace your filter. Replace the filter according to directions then restart the system. Depending on usage, filter will last approximately 6-8 months.

1. Turn off and unplug the unit.



2. Press the lock and release button and remove the rear cover from the unit.
 3. Remove the used Combination Filter (Filter B) and dispose of it in the garbage.
 4. Insert filter system into the unit. Consult the arrow on the filter for correct installation direction.
5. To reset the filter indicator press and hold the timer button for 5 seconds.

CHECKING AND MAINTAINING FILTER

Maintain the filter by checking it frequently.

Depending on air quality conditions, you may need to replace it more frequently.

Vacuum the carbon filter layer as needed to remove loose debris and dust and to help prolong the life of your HEPA filter. (Refer to pg. E5 for filter layers view).

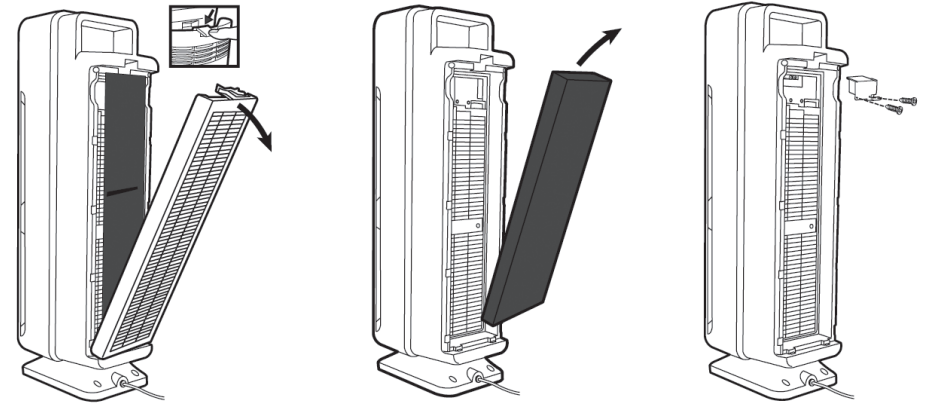
To check the status of the HEPA filter, peel back the carbon layer to expose the pleated HEPA Filter. If the HEPA Filter is no longer white and is covered in grey dust/dirt it should be replaced.

IMPORTANT: Do NOT try to wash and re-use the Combination Filter.

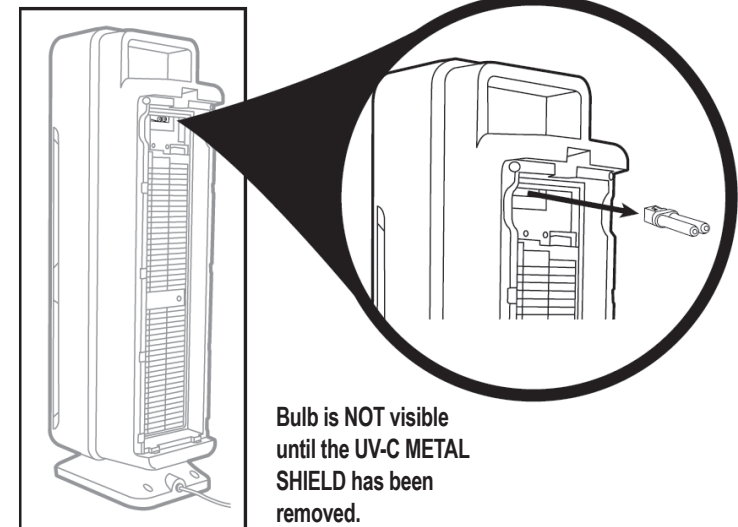
IMPORTANT: To maintain the performance of the air cleaner, use Guardian Technologies GENUINE Replacement Parts only.

INSTALLING & REMOVING UV-C BULB

UV Bulb Replacement Indicator: The UV light on the display will flash when its time to replace the UV bulb.



1. Turn off and unplug unit. Press the lock and release button and remove the rear cover from the unit.
2. Remove the combination filter.
3. Use a Philips head screwdriver to remove 2 screws and detach the UV-C Metal Shield.
4. The UV-C Bulb is removed by carefully grasping the bulb with a clean cloth or tissue and pulling the bulb straight out of the unit.



5. The UV-C Bulb is reinstalled by sliding it, horizontally, back into the slots at the top of the unit.
6. To reset the UV-C Replacement Indicator, press and hold the UV button for 5 seconds

NOTE: Do **NOT** stick any foreign objects or your fingers inside of the unit.
CAUTION: Do **NOT** use gasoline, benzine, thinner, harsh cleaners, etc. on and/or in the unit while cleaning as they will damage the product.
NEVER use alcohol or other solvents.

TROUBLE SHOOTING GUIDE

PROBLEM	SOLUTION
Unit does not operate.	Check that the unit is plugged in. Check that filter is in place. Confirm that filter is Genuine Replacement Filter Call Customer Service.
Unit shuts off unexpectedly.	Check that unit is plugged into a working electrical outlet. Check that HEPA filter is firmly in place. Check that the Rear Cover is latched firmly in place. Call Customer Service.
No air circulating from unit.	Unplug unit. Check Filter. Clean Pre-/Carbon Filter if necessary. Replace HEPA Filter if necessary.
Increase in noise level.	Make sure the filters are clean. Replace if necessary.
App will not download.	Check to make sure you have most recent update on smartphone.
Not "LINKING" / finding Wifi or Bluetooth®.	Check that the device is plugged in. Make sure smartphone is within arm's length of the purifier. Make sure that light is blinking blue.
The Air Quality Monitor is consistently reading high.	Clean out the sensor on the right side of the unit with canned air or a vacuum hose.
The light in the center of the display screen is flashing red.	On the Guardian Technologies App, hit the menu in the top right button of the window and select "Wifi Setting" button. Set up the connection again.

What is CADR?

CADR stands for "Clean Air Delivery Rate," which indicates the volume of filtered air delivered by an air purifier. CADR ratings show the effectiveness of how efficient the air purifier is at capturing fine particles from things like tobacco smoke and plant pollens from the room.

Clean Air Delivery Rate

From air cleaner to air cleaner, compare the CADR numbers. First look at suggested room size. Then refer to the Clean Air Delivery Rate (CADR) numbers. The higher the number, the faster the unit filters the air.

Refer to website for individual model CADR numbers.

GARANTIE LIMITÉE

Guardian Technologies LLC garantit au consommateur que cet appareil est exempt de défauts matériels ou de fabrication, à partir de la date d'achat originale. Afin d'être admissible à cette Garantie limitée, un reçu de vente original ou une autre preuve d'achat substitut comparable portant la date de l'achat original est requis. Consultez la boîte de produit originale ou la page du produit/modèle spécifique sur le site Web de Guardian Technologies pour la période de garantie concernant votre modèle en particulier. Cette garantie s'applique seulement à l'acheteur original de ce produit à partir de la date d'achat originale. Cette garantie couvre un appareil acheté uniquement auprès de distributeurs agréés.

Cette garantie s'applique à la réparation ou au remplacement du produit trouvé défectueux au niveau des matériaux ou de la fabrication. Cette garantie ne s'applique pas aux dommages découlant d'une usure inhabituelle, d'une utilisation commerciale, abusive ou déraisonnable ou de dommages additionnels. Cette garantie ne couvre pas les dommages causés par des réparations non autorisées ou de toute utilisation non conforme avec le manuel des instructions. Les défaillances découlant d'une usure normale ne seront pas considérées des défauts de fabrication selon la présente garantie.

Si cet appareil s'avère défectueux pendant la période de garantie, nous réparerons ou remplacerons gratuitement toutes les pièces défectueuses. Toute réparation couverte par la présente garantie doit être effectuée par Guardian Technologies LLC. La présente garantie vous donne certains droits juridiques. Vous pouvez également bénéficier d'autres droits (les droits peuvent varier d'un État à l'autre aux États-Unis).

Pour faire valoir la présente garantie, l'appareil complet doit être envoyé en port payé à Guardian Technologies LLC. Veuillez inclure les renseignements complets, y compris : la nature du problème, le numéro de modèle, la date d'achat, et incluez vos nom, adresse et numéro de téléphone (courriel facultatif) ainsi qu'une copie du reçu de vente original. Retournez l'appareil à l'attention de : Customer Service, et à l'adresse indiquée ci-après. Adressez vos questions ou vos commentaires au numéro sans frais indiqué ci-après.

États-Unis et Canada
Guardian Technologies LLC
26251 Bluestone Blvd.
Euclid, Ohio 44132
1 866 603-5900
www.guardiantechnologies.com

Veuillez vous rendre à www.guardiantechnologies.com pour enregistrer votre produit. Nous considérons le processus d'enregistrement comme important afin d'assurer un service supérieur à notre clientèle. Cependant, l'envoi de cette carte de garantie est facultatif et n'affectera en rien vos droits de faire valoir cette garantie en accord avec les conditions susmentionnées.

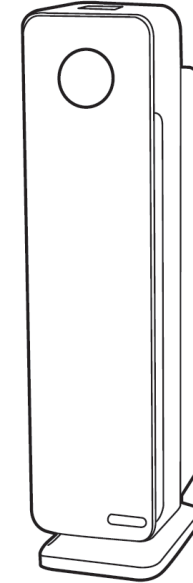
Des copies supplémentaires de ce manuel d'utilisation peuvent être obtenues sur notre site Internet puis imprimées, ou en appelant le service à la clientèle.

Le mot servant de marque et les logos *Bluetooth*™ sont des marques de commerce déposées de Bluetooth SIG, Inc. et leur utilisation par Guardian Technologies est autorisée sous licence. Toutes autres marques de commerce et noms de marque sont la propriété de leurs détenteurs respectifs.

Amazon, Echo, Alexa et tous les logos s'y rattachant sont des marques de commerce d'Amazon.com, Inc. ou de ses sociétés affiliées.



UTILISATION ET INSTRUCTIONS D'ENTRETIEN



Wifi et Bluetooth® activés Purificateur d'air intelligent

Modèle CDAP4500

Garantie limitée de un (3) an

Service à la clientèle :

1.866.603.5900

www.guardiantechnologies.com

Date d'achat mois _____ année _____

Anglais E - 1 Français F - 1 Espagnol S - 1

**Utilisez uniquement des pièces de rechange ORIGINALES
de Guardian Technologies.**

REV0920

LIRE ET CONSERVER CES INSTRUCTIONS AVERTISSEMENTS

Le non-respect des avertissements mentionnés ci-dessous peut provoquer une décharge électrique ou des blessures graves.



Ce produit doit être utilisé en conformité avec les directives indiquées dans le présent manuel. De graves blessures peuvent résulter d'un usage du produit autre que celui indiqué dans le présent manuel.

Lorsque vous utilisez un appareil électrique, vous devez toujours respecter certaines consignes élémentaires de sécurité afin de réduire le risque de feu, de choc électrique et de blessure, dont les suivantes.

- Lisez toutes les instructions avant d'utiliser cet appareil.
- Il faut faire preuve d'une extrême prudence lors de l'utilisation d'un appareil par les enfants ou des personnes handicapées, ou à proximité de ces derniers, et lorsqu'on laisse l'appareil en fonctionnement sans surveillance.
- **IMPORTANT** - Cet appareil d'éclairage portable est équipé d'une fiche polarisée (une tige de la fiche est plus large que l'autre) pour réduire le risque de choc électrique. Cette fiche s'installe d'une seule façon dans la prise de courant. Si la fiche ne s'insère pas entièrement dans la prise, insérez-la dans l'autre sens. Si elle ne s'insère toujours pas, contactez un électricien agréé. Ne jamais utiliser de rallonge électrique à moins que la fiche s'insère entièrement. Ne modifiez pas la fiche.
- Pour éviter tout risque d'incendie ou de choc électrique, branchez l'appareil directement dans une prise électrique de 120 V c.a.
- Gardez le cordon d'alimentation à l'écart des zones de passage. Pour éviter tout risque d'incendie, ne faites JAMAIS passer le cordon d'alimentation sous un tapis ou à côté de grilles de chauffage, de radiateurs, d'appareils de chauffage ou de cuisinières.
- Pour protéger contre tout risque de choc électrique, NE plongez PAS l'appareil dans l'eau ou dans un liquide quelconque. N'utilisez pas cet appareil à proximité de l'eau.
- Il faut faire preuve d'une extrême prudence lors de l'utilisation d'un appareil par les enfants ou des personnes handicapées, ou à proximité de ces derniers, et lorsqu'on laisse l'appareil en fonctionnement sans surveillance.
- Débranchez toujours le purificateur d'air avant de le déplacer, d'ouvrir la grille de protection, de changer les filtres ou lorsqu'il n'est pas utilisé. Assurez-vous de débrancher l'appareil en tirant sur la prise et non sur le cordon.
- Ne laissez JAMAIS tomber et n'insérez JAMAIS d'objets dans tout orifice de l'appareil.
- Ne faites pas passer le cordon électrique sous la moquette.
- Ne recouvrez pas le cordon électrique avec des carpettes, des tapis d'escalier ou tout autre revêtement similaire.
- Ne faites pas passer le cordon électrique sous les meubles ni les appareils électroménagers. Disposez le cordon électrique à l'écart de la zone de passage et où personne ne risque de trébucher dessus.
- N'utilisez JAMAIS un appareil dont le cordon d'alimentation ou la fiche est endommagé, dont le moteur du ventilateur ne tourne plus, à la suite d'une défaillance ou d'une panne, ou qui est tombé ou est endommagé de quelque manière que ce soit. Veuillez communiquer avec le service à la clientèle au 1.866.603.5900 pour obtenir de l'aide.
- N'utilisez l'appareil que conformément à son utilisation prévue et décrite dans le présent manuel. Toute utilisation autre que celles recommandées par le fabricant risque de provoquer un incendie, un choc électrique ou des blessures.
- N'utilisez PAS cet appareil à l'extérieur.
- N'obstruez JAMAIS les sorties d'air, les grilles de protection ou les prises de l'appareil. Ne placez JAMAIS l'appareil sur une surface molle, telle qu'un lit ou un canapé, car cela risque de faire tomber l'appareil, obstruant la sortie ou l'entrée d'air.

- N'essayez PAS de réparer ou de régler toute fonction électrique ou mécanique de cet appareil. Agir ainsi annulera la garantie. L'intérieur de cet appareil ne contient aucune pièce remplaçable. Toute réparation doit être faite uniquement par un professionnel qualifié.
- NE METTEZ rien sur l'appareil.
- Les enfants ne peuvent pas identifier les risques liés à l'utilisation des appareils électriques. Pour cette raison, surveillez toujours les enfants lorsqu'ils sont à proximité du purificateur d'air.
- **AVERTISSEMENT:** Pour réduire le risque d'incendie ou de choc électrique ne pas utiliser ce ventilateur avec un dispositif de commande de la vitesse à semi-conducteurs quel qu'il soit.
- **AVERTISSEMENT :** Ne regardez pas directement la lumière émise par la lampe dans cet appareil pour éviter des dommages à la peau ou aux yeux. Débranchez toujours l'alimentation avant de remplacer la lampe ou d'entretenir l'appareil. Remplacez la lampe avec de lampe fabriqué par Guardian Technologies.
- Débranchez toujours l'appareil avant d'effectuer tout nettoyage ou tout entretien.
- **MISE EN GARDE :** N'utilisez PAS d'essence, de benzène, de diluant ou de nettoyants puissants (entre autres) pour nettoyer la surface intérieure ou l'extérieur de l'appareil, car cela risque de l'endommager. N'utilisez JAMAIS d'alcool ni d'autres dissolvants.
- L'appareil ne prend en charge que les connexions sur réseau 2,4 GHz.

L'ozone moyenne pondérée dans le temps de 8 heures pour ce produit est de 0,001 ppmv lors de tests dans une chambre de 30 m³. Le produit est conforme avec la concentration maximale permise d'ozone de 0,05 parties par million par volume (ppmv) dans une période de 24 heures. Les lignes directrices de Santé Canada 2010 recommandent que la limite d'exposition maximale, selon un temps moyen de 8 heures, soit de 0,020 ppmv ou moins lors de tests dans une salle hermétique et contrôlée d'environ 30 m³.



AVERTISSEMENT : Peut provoquer le cancer ou des effets nocifs sur la reproduction. Pour de plus amples informations, visitez le site www.P65Warnings.ca.gov.



L'AMPOULE CONTIENT DU MERCURE



Veillez respecter les exigences en matière de déversement, d'élimination et de nettoyage. En cas de bris, suivez les consignes fournies par les sources ci-dessous pour le nettoyage.

www.epa.gov/cflcleanup 1-866-284-4010



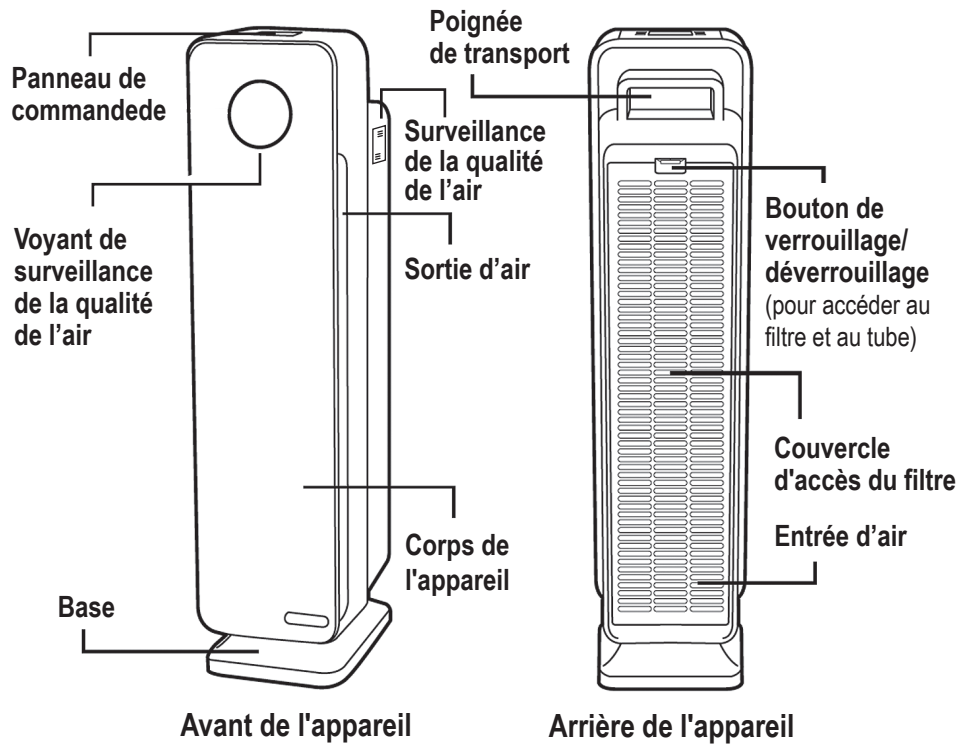
Cet appareil est conforme avec la Partie 15 des règles de la FCC. L'opération est sujette aux deux conditions suivantes : (1) Ce dispositif peut ne pas causer d'interférences nuisibles, et (2) ce dispositif doit accepter toute interférence reçue, incluant celles pouvant causer un fonctionnement indésirable.

Déclaration sur l'exposition aux radiations de la FCC : Cet équipement est conforme avec les limites d'exposition aux radiations stipulées par le FCC et définies pour un environnement non-contrôlé. Afin d'éviter la possibilité de dépasser les limites d'exposition aux radio-fréquences définies par le FCC, toute proximité humaine à l'antenne ne doit pas être moindre que 20 cm (8 po) lors de son fonctionnement.



Le label ENERGY STAR a été attribué à ce produit pour avoir satisfait les normes d'efficacité énergétique strictes établies par l'agence américaine de protection de l'environnement (EPA). Les purificateurs d'air ambiant ont démontré qu'ils pouvaient améliorer la qualité de l'air et avoir des effets bénéfiques sur la santé. L'agence américaine de protection de l'environnement n'appuie pas les déclarations des fabricants concernant la mesure dans laquelle un produit spécifique produira un air intérieur plus sain. L'efficacité énergétique de ce modèle répondant aux exigences qui lui permettent de porter le symbole ENERGY STAR est mesurée selon le rapport entre le débit d'air purifié (Clean Air Delivery Rate ou CADR) du modèle pour la fumée et l'énergie électrique qu'il consomme, ou CADR/watts.

SPÉCIFICATIONS DE L'APPAREIL ET PIÈCES



PIÈCES DE REMPLACEMENT

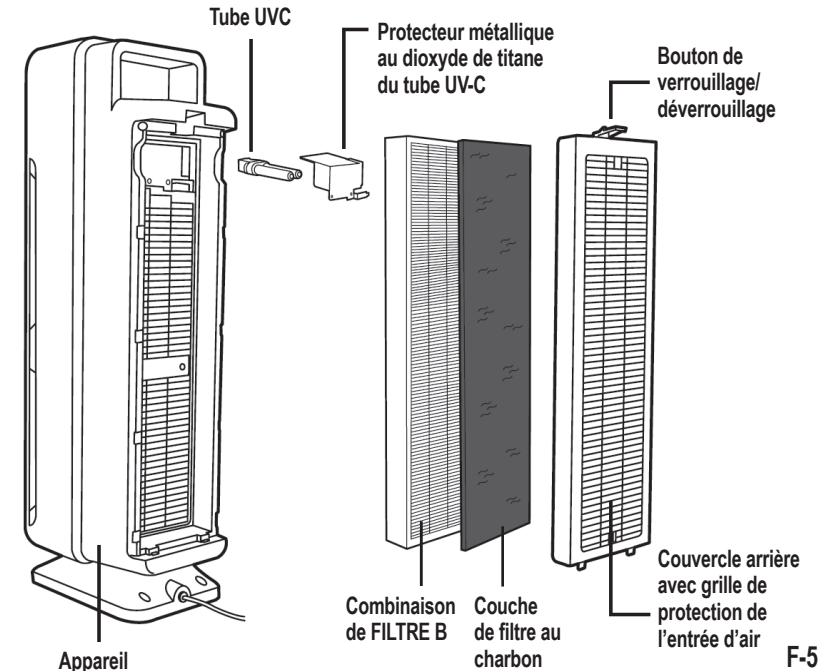


Purificateur d'air intelligent Wi-Fi

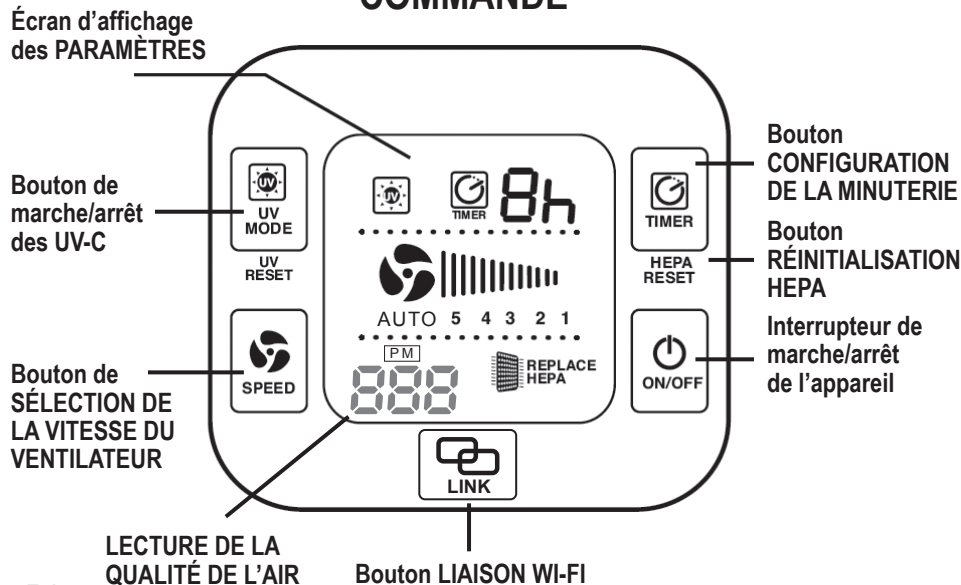
Améliorez la qualité de l'air intérieur avec votre nouveau système de nettoyage de l'air activé intelligemment par Bluetooth et Wi-Fi GermGuardian. Plusieurs niveaux de nettoyage fournissent un soulagement aux allergies, combattent les germes et réduisent les odeurs désagréables. La surveillance intelligente de la qualité de l'air (AQM) détecte la quantité de particules dans l'air et va automatiquement ajuster la vitesse du purificateur pour optimiser la qualité de l'air de la pièce lorsque configurée en mode automatique.

Téléchargez facilement l'application Guardian Technologies et vous pouvez contrôler le système sans-fil à l'aide d'un téléphone intelligent. Ce produit est activé avec une technologie intelligente Bluetooth (énergie faible) qui active une connexion sans-fil sur de courtes distances à l'aide d'un niveau faible d'énergie. Lorsque votre téléphone intelligent est hors de la portée Bluetooth, il passera automatiquement à une connexion Wi-Fi que vous choisissez lors de votre configuration.

NIVEAUX DE PURIFICATION D'AIR



COMMANDE



AVANT L'UTILISATION DU SYSTÈME DE PURIFICATION D'AIR :

1. Choisissez une surface dure, plane et de niveau pour y poser l'appareil.
 - Pour un bon écoulement de l'air, placez l'appareil à au moins 30 cm (1 pied) de tout mur et de tout meuble.
 - Vérifiez qu'aucune des grilles de protection n'est obstruée.
2. Branchez le cordon d'alimentation dans une prise de courant standard de 120 V c.a.

IMPORTANT: Utilisez toujours la poignée de transport de l'appareil située sur l'arrière pour le déplacer. L'ensemble de filtre contient :

Wifi / Bluetooth® CONNEXION

Nous prenons en charge iOS8 et les versions plus récentes et la plupart des versions Android 5 et plus récentes



1. Branchez le cordon d'alimentation dans une prise de courant standard de 120 V c.a.
2. Assurez-vous que votre téléphone intelligent est relié au Wi-Fi.
3. Téléchargez l'application gratuite Guardian Technologies™ sur votre smartphone depuis l'App Store ou Google Play. Les services de localisation et Bluetooth doivent être activés pour pouvoir connecter l'appareil à l'application Guardian Technologies.



4. Une fois installé, maintenez le bouton **LIAISON** jusqu'à ce que le voyant lumineux de connexion sans-fil clignote vert.
Conseil : assurez-vous que le téléphone intelligent est à portée de bras du purificateur lors de la configuration.
5. Terminez la connexion Wi-Fi comme indiqué sur les instructions de configuration de l'application.
Conseil : lorsqu'il n'est pas utilisé, le dispositif va automatiquement choisir entre Bluetooth® and WiFi.



L'option de contrôle activé par la parole est disponible par l'intermédiaire des produits Echo™ d'Amazon et du skill Guardian Technologies (Gi Gi) qui se trouve dans l'application Alexa™. Remarque : Vous devez posséder un produit Echo et avoir téléchargé l'application Alexa sur votre téléphone intelligent pour pouvoir utiliser la commande vocale. Suivez les instructions figurant dans l'application de Guardian Technologies pour configurer la fonction de commande vocale et l'associer à l'application Alexa d'Amazon. Avant l'utilisation, assurez-vous que le purificateur d'air intelligent Wifi de Guardian est connecté au Wifi et à votre compte Guardian Technologies.

INSTRUCTIONS D'UTILISATION

À présent, vous pouvez contrôler votre purificateur sans-fil et manuellement.



1. Mettez l'appareil en MARCHE (ON).



2. Sélectionnez la vitesse du ventilateur, MODE 1 à 5.
1 = mode basse vitesse, ultra-silencieux de nuit
5 = contrôle haute vitesse des allergènes



MODE AUTOMATIQUE - La dernière vitesse du ventilateur est AUTOMATIQUE. Lorsque le mode AUTOMATIQUE est choisi, le.



3. Sélectionnez l'activation ou la désactivation des rayons UVC à l'aide du bouton UV.



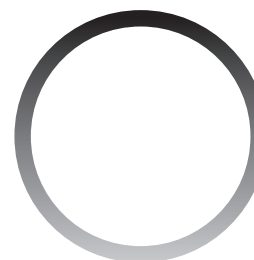
4. **MINUTERIE** : Si vous préférez faire fonctionner le purificateur pendant une durée d'heures spécifique.



5. **LIAISON** - Relie le purificateur d'air à la configuration de l'application.
Si le voyant vert apparaît, le Wi-Fi peut connecter au téléphone intelligent.
Si le voyant rouge apparaît, le Wi-Fi ne peut se connecter au téléphone intelligent.

F-6

INSTRUCTIONS D'UTILISATION



La surveillance intelligente de la qualité de l'air (AQM) détecte la quantité de matière sous forme de particules (PM) dans l'air. Le voyant circulaire sur le panneau avant du purificateur est l'indicateur AQM et il changera de couleur, indiquant le niveau de qualité de l'air dans la pièce. La valeur de la matière sous forme de particules sera affichée sur le panneau de contrôle. Voir les valeurs et les portées du statut dans le diagramme ci-dessous.

Mode automatique : lorsque le mode « Automatique » est choisi, le SmartAQM va automatiquement régler le niveau de la vitesse du purificateur pour optimiser la qualité de l'air dans la pièce.



Votre application va également afficher la couleur du cercle et fournir la valeur PM.

Ci-dessous se trouvent la couleur/les valeurs pouvant être affichées :

Couleur de l'anneau	Valeur de la matière sous forme de particules (portée)	Statut de la qualité de l'air
Vert	0-100	Bon
Jaune	101-200	Moyen
Rouge	201+	Piètre



Voyant de remplacement du filtre : Le voyant du Remplacement HEPA à l'écran va illuminer et clignoter indiquant qu'il est temps de remplacer votre filtre. Remplacez le filtre selon les directives (E8), puis appuyez et maintenez le bouton MINUTERIE sur votre purificateur pendant 5 secondes pour réinitialiser le système.



Votre application vous avisera et affichera également une bannière lorsqu'il est temps de remplacer le filtre.



Voyant de remplacement du tube UV : Le voyant « UV » sur l'écran clignotera lorsqu'il est temps de remplacer l'ampoule UV. Remplacez l'ampoule selon les directives (E9). Pour réinitialiser le voyant de remplacement UV-C, appuyez et maintenez le bouton UV pour réinitialiser le système. Maintenez-le appuyé pendant 5 secondes et changez la réinitialisation pour redémarrer.



Votre application vous avisera et affichera également une bannière lorsqu'il est temps de remplacer l'ampoule.

*Bip et son émis par le tableau de commande : Le son émis suite à la pression des boutons sur le panneau de contrôle peut être éteint/allumé en maintenant le bouton VITESSE pendant 5 secondes.

Rendez-vous sur cette page Produits sur www.guardiantechnologies.com pour obtenir plus d'informations sur l'utilisation de l'application Guardian Technologies.

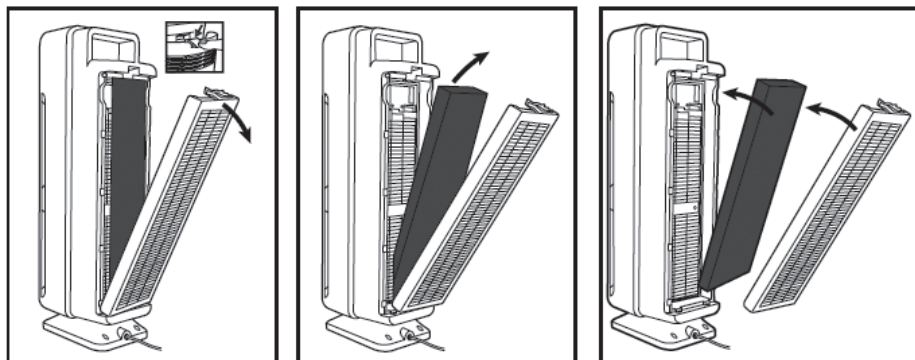
F-7

REPLACEMENT DU FILTRE



Le voyant de Remplacement HEPA clignotera de manière continue indiquant qu'il est temps de remplacer votre filtre. Remplacez-le selon les directives, puis redémarrez le système. Selon l'utilisation, la durée de vie du filtre est d'environ 6 - 8 mois.

1. Arrêtez l'appareil et débranchez-le.



2. Appuyez sur le bouton de verrouillage/déverrouillage et retirez le couvercle à l'arrière de l'appareil.

3. Enlevez la combinaison de filtres usée (Filtre B) et jetez-la dans les ordures ménagères.

4. Insérez le filtre obtenu dans l'appareil. Consultez la flèche sur le filtre pour le sens adéquat pour l'installation.

5. Appuyez sur le bouton de la minuterie pendant 5 secondes pour réinitialiser le voyant du filtre.

NETTOYAGE ET ENTRETIEN DE LA COMBINAISON DE FILTRES

Faites l'entretien du filtre en le vérifiant fréquemment.

Selon les conditions de la qualité de l'air, vous pourriez devoir le remplacer plus fréquemment.

Aspirez la couche du filtre à charbons si requis pour enlever les débris lâches et la poussière, et pour aider à prolonger la durée de vie de votre filtre HEPA. (Consultez la page E5 pour une vue des couches du filtre).

Pour vérifier le statut du filtre HEPA, enlevez la couche de carbone pour monter le filtre HEPA plissé.

Si le filtre HEPA n'est plus blanc et qu'il est couvert d'une poussière grise et d'une saleté, il doit être remplacé..

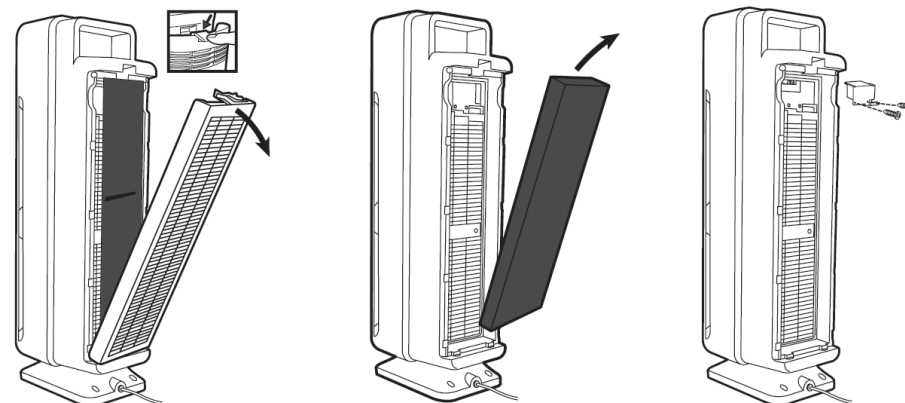
Important : ne lavez PAS et ne réutilisez PAS la combinaison de filtres.

IMPORTANT : Utilisez que des pièces AUTHENTIQUES de rechange de Guardian Technologies.

Des filtres authentiques de rechange peuvent être achetés directement sur le site www.guardiantechnologies.com

INSTALLER ET RETIRER LE TUBE UVC

Voyant de remplacement du tube UV : L'anneau lumineux bleu sur le devant du tableau de commande du système de purification d'air clignote lorsqu'il est temps de remplacer le tube.

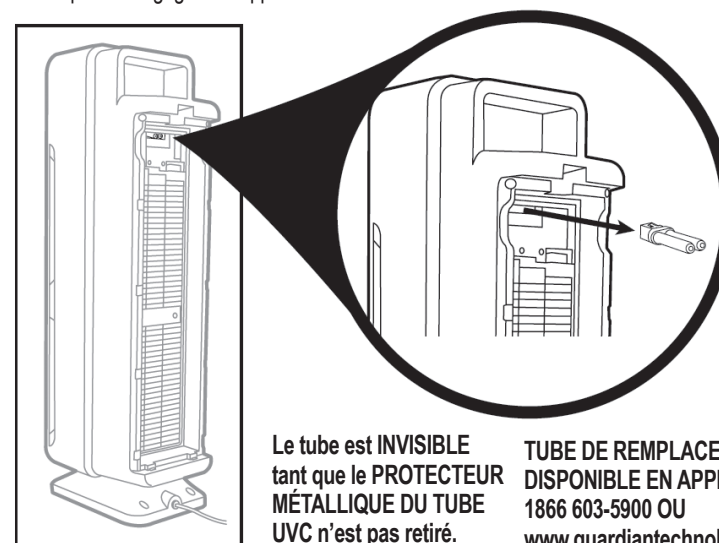


1. Arrêtez l'appareil et débranchez-le. Appuyez sur le bouton de verrouillage/déverrouillage et retirez le couvercle à l'arrière de l'appareil.

2. Retirez la combinaison de filtres de l'appareil.

3. Après avoir retiré le filtre combiné, utilisez un tournevis cruciforme pour dévisser les 2 vis et détacher le protecteur métallique de la lampe UVC.

4. Pour retirer le tube UVC, saisissez-le en utilisant un chiffon ou un mouchoir en papier propre et tirez dessus pour le dégager de l'appareil.



Le tube est INVISIBLE tant que le PROTECTEUR MÉTALLIQUE DU TUBE UVC n'est pas retiré.

TUBE DE REMPLACEMENT : LB4000 DISPONIBLE EN APPELANT LE 1866 603-5900 OU www.guardiantechnologies.com

5. Pour réinstaller le tube UVC, faites-le glisser horizontalement dans la fente en haut de l'appareil.

6. Appuyez sur le bouton UV pendant 3 secondes pour réinitialiser le voyant de remplacement du tube d'UV-C.

Remarque: N'enfoncez PAS d'objets, ni vos doigts, à l'intérieur de l'appareil.
Avertissement: N'utilisez PAS d'essence, de benzine, de diluant ou de nettoyants puissants (entre autres) pour nettoyer la surface intérieure ou l'extérieur de l'appareil, car cela risque de l'endommager. N'utilisez **JAMAIS** d'alcool ni d'autres dissolvants.

GUIDE DE DÉPANNAGE

PROBLÈME	SOLUTION
L'appareil ne fonctionne pas.	Vérifiez que l'appareil est branché. Vérifiez que le filtre est bien en place. Confirmez que le filtre de rechange est un filtre authentique laclientèle.
L'appareil s'éteint intempestivement.	Vérifiez que l'appareil est branché à une prise de courant fonctionnelle. Vérifiez que le filtre est bien en place. Vérifiez que le couvercle arrière est bien verrouillé. Veuillez communiquer avec le service à la clientèle.
Il n'y pas de circulation d'air.	Débranchez l'appareil. Vérifiez le filtre. Nettoyez le préfiltre au charbon au besoin. Remplacez le filtre au besoin.
Augmentation du niveau de bruit.	Assurez-vous que les filtres sont propres. Remplacez-les au besoin.
L'application ne se télécharge pas.	Assurez-vous que votre téléphone Intelligent est mis à jour à sa version la plus récente.
N'effectue pas une « LIAISON », ne trouve pas le Wifi ou le Bluetooth.	Vérifiez que le dispositif est branché. Assurez-vous que le téléphone intelligent est à portée de bras du purificateur. Assurez-vous que le voyant clignote bleu.
Le moniteur de la qualité de l'air affiche constamment des valeurs élevées.	Nettoyez le capteur situé sur le côté droit de l'appareil avec du gaz dépolluant ou un tuyau d'aspiration.
Le voyant au centre de l'écran d'affichage clignote en rouge.	Sur l'application Guardian Technologies, cliquez sur le menu du bouton en haut à droite de la fenêtre et sélectionnez le bouton « Wifi Setting » (paramètres WiFi). Rétablissez la connexion.

Qu'est-ce que le CADR?

CADR est l'acronyme de Clean Air Delivery Rate, soit le volume d'air filtré produit par un purificateur d'air. Le classement CADR indique l'efficacité d'un purificateur d'air dans sa filtration des particules fines, telles que la fumée de tabac et les pollens de plantes, dans une pièce.

Débit d'air pur

Comparez les performances des différents purificateurs d'air à l'aide du CADR. Premièrement, repérez la superficie de la pièce suggérée. Puis, consultez les données CADR. Plus la valeur est élevée, plus l'appareil filtre rapidement l'air.

Reportez-vous au site Internet pour les numéros CADR de chaque modèle.

GARANTÍA LIMITADA

Para el consumidor, Guardian Technologies LLC garantiza que este producto se encuentra libre de defectos de materiales o mano de obra a partir de la fecha de compra original. Para poder ser elegible para esta Garantía limitada, se requiere presentar el recibo original de la venta o un comprobante de compra sustituto comparable que lleve la fecha de la compra original. Consulte la caja original del producto o la página del producto/modelo específico en el sitio web de Guardian Technologies para consultar la duración de la garantía de su modelo en particular. Esta garantía aplica solamente para el comprador original de este producto, a partir de la fecha original de compra. Esta garantía cubre únicamente los productos comprados a distribuidores autorizados.

Esta garantía aplica para reparaciones o reemplazos de productos con defectos en el material o en la mano de obra. Esta garantía no aplica para los daños que se deriven del desgaste inusual; el uso comercial, abusivo, irrazonable, o daños suplementarios. Esta garantía no cubre los daños que se deriven de reparaciones no autorizadas, o de algún uso que no esté de acuerdo con este manual de instrucciones. Los defectos que se deriven del uso y desgaste normales no se considerarán defectos de fábrica bajo esta garantía.

Si durante el período de garantía se detecta que el producto está defectuoso, repararemos o reemplazaremos las piezas defectuosas sin ningún costo. Guardian Technologies LLC deberá realizar todas las reparaciones de garantía. Esta garantía le otorga derechos legales específicos y usted pudiera tener otros derechos adicionales (los cuales varían en cada estado de los EE.UU.)

Para presentar un producto para garantía, la máquina completa se debe enviar, con el envío pagado con anterioridad, a Guardian Technologies LLC. El envío debe contener la información completa, que incluye: el problema, el número de modelo del producto, el día de la compra y una copia del recibo de compra original, junto con su nombre, dirección y teléfono (correo electrónico opcional). Envíe el producto para devolución a: Servicio al cliente, a la siguiente dirección. Si tiene alguna pregunta o comentario, puede llamar a la línea telefónica gratuita indicada más adelante.

EE.UU. y Canadá
Guardian Technologies LLC
26251 Bluestone Blvd.
Euclid, Ohio 44132
1.866.603.5900
www.guardiantechnologies.com

Visite www.guardiantechnologies.com para registrar su producto. Consideramos que el proceso de registro es importante para garantizar un servicio superior a nuestros clientes; sin embargo, el envío de la tarjeta de garantía es opcional y no afecta sus derechos para utilizar la garantía de acuerdo a las condiciones estipuladas anteriormente.

Se pueden obtener copias adicionales al acceder directamente a nuestro sitio web para imprimirlas, o al llamar al departamento de servicio al cliente.

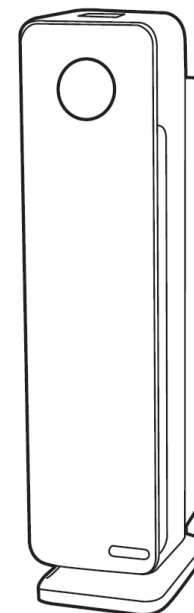
El término *Bluetooth*® y los logotipos son marcas comerciales registradas que son propiedad de Bluetooth SIG, Inc. y el uso de tales marcas por parte de Guardian Technologies se efectúa bajo licencias. Las demás marcas comerciales registradas y marcas comerciales pertenecen a sus respectivos propietarios.

Amazon, Echo, Alexa y todos los logotipos relacionados son marcas registradas de Amazon.com, Inc. o sus filiales.

©2016 Guardian Technologies LLC



INSTRUCCIONES DE USO Y CUIDADO



Activado para Wifi y Bluetooth® Purificador Smart Air

Modelo No. CDAP4500

Garantía limitada por 3 año

Atención al cliente

1.866.603.5900

www.guardiantechnologies.com

Fecha de compra mes _____ año _____

Inglés E - 1 Francés F - 1 Español S - 1

Utilice únicamente piezas de repuesto GENUINAS de Guardian Technologies.

REV0920

LEA Y GUARDE ESTAS INSTRUCCIONES ADVERTENCIAS

Elocumplirlas advertencias que se enumeran a continuación puede provocar un choque eléctrico o lesiones severas.



Debe usarse este producto sólo de acuerdo a las especificaciones descritas en este manual. Usarlo de una manera diferente a lo indicado puede ocasionar lesiones severas.

Al usar un electrodoméstico, debe seguir siempre ciertas precauciones básicas para disminuir el riesgo de incendio, choque eléctrico y lesiones personales, las cuales incluyen todo lo siguiente:

- Antes de usar el electrodoméstico, lea todas las instrucciones.
- Es necesario tener extrema precaución al utilizar cualquier aparato cerca de niños o personas discapacitadas, y siempre que el aparato se deje funcionando sin atención.
- **IMPORTANTE** - Como una característica adicional, esta luminara portátil tiene una clavija polarizada (una hoja es más ancha que la otra) con el fin de reducir el riesgo de choque eléctrico. Esta clavija encajará en un tomacorriente polarizado de una manera solamente. Si la clavija no encaja bien en el tomacorriente, invierta la clavija. Si aún así no encaja, póngase en contacto con un electricista calificados. Nunca use una extensión eléctrica a menos que la clavija pueda insertarse por completo. Nomodifique la clavija.
- Para evitar un incendio o choque eléctrico, conecte directamente el aparato a un tomacorriente de 120 V de corriente CA.
- Mantenga el cordón eléctrico alejado de las áreas de gran tránsito peatonal. Para evitar el riesgo de incendio, NUNCA ponga el cordón eléctrico debajo de las alfombras, ni cerca de rejillas de calefacción, radiadores, estufas ni calentadores.
- Para evitar los riesgos eléctricos, NO sumerja este aparato en agua o en otros líquidos. Nouse este aparato cerca del agua.
- Es necesario tener extrema precaución al utilizar cualquier aparato cerca de niños o personas discapacitadas, y siempre que el aparato se deje funcionando sin atención.
- Desconecte siempre el purificador de aire antes de moverlo, abrir la rejilla, cambiar los filtros, antes de limpiarlo o cuando no lo use. Asegúrese de desconectarlo tomándolo del enchufe, no del cordón eléctrico.
- NUNCA deje caer ni inserte un objeto en cualquier abertura.
- No pase el cordón eléctrico por debajo de la alfombra.
- No cubra el cordón eléctrico con tapetes, plásticos protectores para alfombrado o cubiertas similares.
- No pase el cordón eléctrico por debajo de los muebles o aparatos electrodomésticos. Mantenga el cordón eléctrico alejado de las áreas de gran tránsito peatonal y de los lugares en que pueda provocar tropezones.
- NO utilice ningún aparato cuyo cordón eléctrico o clavija estén dañados, si el motor del ventilador no gira, si el aparato no funciona correctamente o si se ha caído o dañado de alguna forma. Si necesita ayuda, llame al departamento de servicio al cliente al 1.866.603.5900.
- Use este aparato únicamente para el uso doméstico previsto, como se describe en este manual. Cualquier otro tipo de uso no recomendado por el fabricante podría provocar un incendio, choque eléctrico o lesiones personales.
- No se debe utilizar en exteriores.
- NUNCA bloquee las aberturas para el aire, las rejillas/salidas del aparato, ni coloque el producto sobre una superficie suave, como una cama o sofá, ya que esto podría provocar que el aparato se vuelque, se bloquee la abertura de entrada o la salida del aire.
- No intente reparar o ajustar un funcionamiento eléctrico o mecánico incorrecto de esta unidad. El hacerlo anulará la garantía. El interior del aparato no contiene piezas que requieren mantenimiento. Todas las labores de servicio y mantenimiento deben ser realizadas sólo por personal calificado.

- NO coloque ningún objeto en la parte superior de la unidad.
- Los niños no pueden percatarse de los riesgos asociados con el uso de aparatos electrodomésticos. Por este motivo siempre debe vigilar a los niños cuando se encuentren cerca del purificador de aire. (una hoja es más ancha que la otra) con el fin de reducir el riesgo de choque eléctrico. Esta clavija
- **ADVERTENCIA:** Para disminuir el riesgo de incendio o choque eléctrico, no utilice este ventilador con ningún dispositivo de control de velocidad de estado sólido.
- **ADVERTENCIA:** Ver directamente la luz producida por la lámpara de este aparato podría ocasionar daños en la piel o en los ojos. Siempre desconecte la corriente antes de reemplazar o darle mantenimiento a la lámpara. Reemplace la lámpara con la lámpara fabricada por Guardian Technologies.
- Desconecte siempre la unidad antes de limpiarla o darle mantenimiento.
- **PRECAUCIÓN:** NO utilice gasolina, benceno, solvente, limpiadores agresivos, etc. para limpiar el interior y el exterior de la unidad, ya que podrían dañar el aparato. NUNCA utilice alcohol ni otro tipo de solventes.
- El dispositivo solo admite conexiones de 2.4 GHz.

El valor límite de umbral (TWA) de ozono durante 8 horas de este producto es 0.001 ppmv cuando se prueba en una habitación de 30 m³. El producto cumple con la concentración máxima permisible de ozono, de 0.050 partes por millón por volumen (ppmv) en un periodo de 24 horas. Los Lineamientos de salud de Canadá de 2010 recomiendan que el límite máximo de exposición, basado en un tiempo promedio de 8 horas, es de 0.020 ppmv o menor, cuando se ha probado en una habitación confinada y controlada de aproximadamente 30 m³.



ADVERTENCIA: Cáncer o daños al sistema reproductivo. Para mayor información, visite www.P65Warnings.ca.gov.

 **LA BOMBILLA CONTIENE MERCURIO** 

Manipule según las exigencias sobre derrames, eliminación y limpieza de lugares. En caso se rompa, siga el método de limpieza proporcionado por los siguientes contactos.

www.epa.gov/cflcleanup 1-866-284-4010

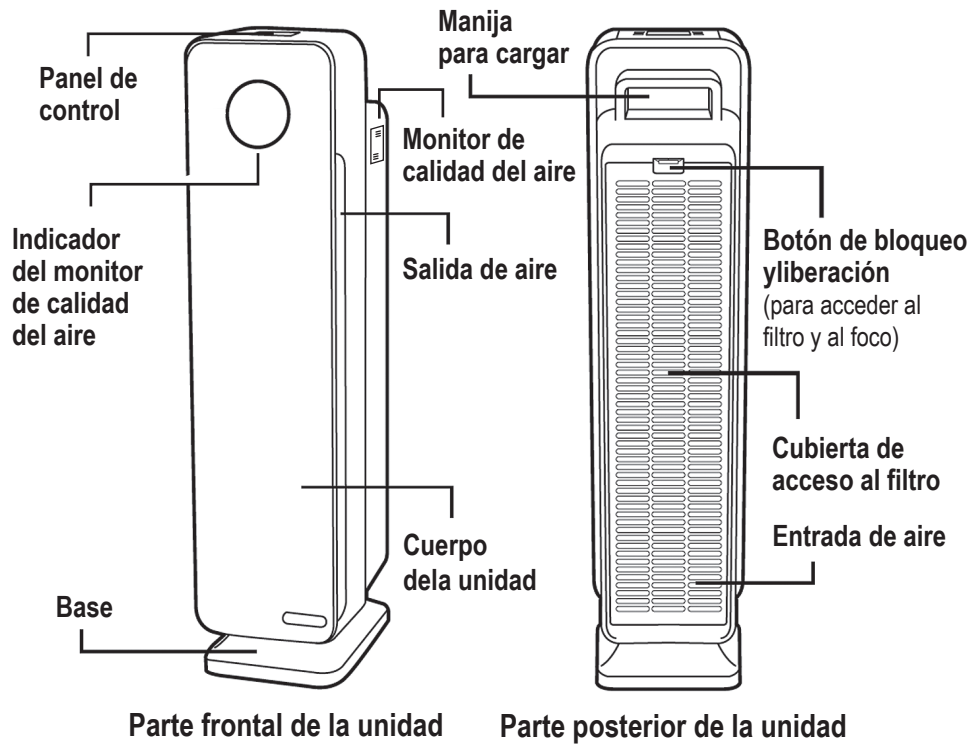


Este dispositivo cumple con la sección 15 del Reglamento del FCC. La operación está sujeta a las siguientes dos condiciones: (1) Este dispositivo podría no causar interferencia dañina, y (2) este dispositivo debe aceptar cualquier interferencia recibida, incluidas las interferencias que pueden ocasionar un funcionamiento no deseado. Declaración de exposición a la radiación de la FCC: Este equipo cumple con los límites de exposición a la radiación establecidos por la FCC para un entorno no controlado. Para evitar la posibilidad de sobrepasar los límites de exposición a la radiofrecuencia establecidos por la FCC, la proximidad humana a la antena no debe ser menor de 20 cm (8 pulgadas) durante la operación.



Este producto obtuvo la certificación ENERGY STAR mediante el cumplimiento de estrictas normas de ahorro de energía establecidas por la Agencia de Protección Ambiental (EPA, por su sigla en inglés) de los Estados Unidos. Los purificadores de aire para habitaciones han demostrado tener potencial para mejorar la calidad del aire y brindar beneficios para la salud. La EPA de los Estados Unidos no respalda las afirmaciones hechas por cualquier fabricante sobre la obtención de una calidad de aire en interiores más saludable debido al uso de un determinado producto. La eficiencia energética de este modelo con la certificación ENERGY STAR se mide con base en la proporción del promedio de emisión de aire puro (CADR, por su sigla en inglés) del modelo para el humo y la energía eléctrica que consume, o CADR/vatio.

ESPECIFICACIONES Y PARTES DEL PRODUCTO



PIÈCES DE REMPLAZEMENT



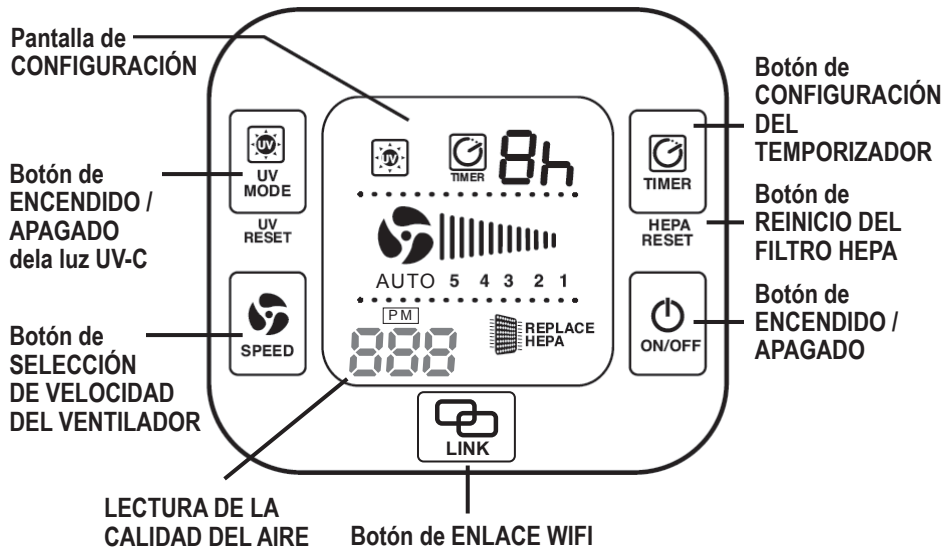
Purificador Wifi Smart Air

Mejore la calidad del aire dentro de su hogar con su nuevo Sistema Inteligente para la Limpieza del Aire con WiFi y Bluetooth activados GermGuardian. Múltiples niveles de limpieza que proporcionan alivio de alergias, combaten los gérmenes y reducen los olores desagradables.

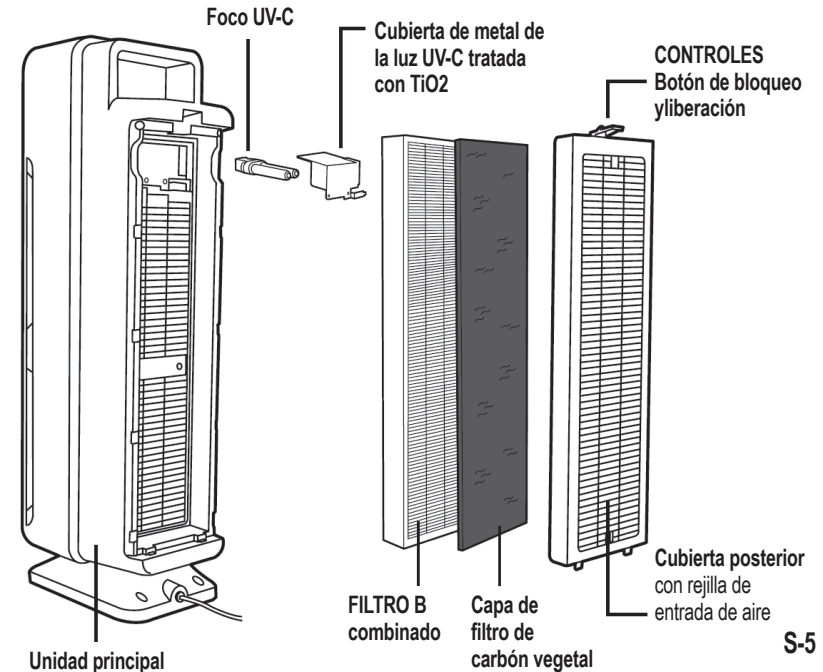
El Monitor inteligente de la calidad del aire (AQM por su sigla en inglés) detecta la cantidad de partículas en el aire y automáticamente ajusta la velocidad del purificador para optimizar la calidad del aire en la habitación cuando está en modo automático.

Descargue fácilmente la aplicación de GuardianTechnologies y podrá controlar el sistema de manera inalámbrica con un teléfono inteligente. Este producto tiene activada la tecnología Bluetooth Smart (que requiere poca energía), la cual permite una conexión inalámbrica a distancias cortas utilizando poca energía. Cuando su teléfono inteligente esté fuera del rango de Bluetooth, automáticamente se cambiará a la conexión WiFi que usted elija durante el proceso de configuración.

CONTROLES



SISTEMA PARA LA LIMPIEZA DEL AIRE



ANTES DE PONER EN FUNCIONAMIENTO EL PURIFICADOR DE AIRE:

- Elija una superficie firme, plana y nivelada para colocar el purificador de aire.
 - Para que el flujo de aire sea adecuado, ubique el aparato al menos a una distancia de 30.5 cm (1 pie) de la pared o muebles.
 - Verifique que ninguna de las rejillas esté bloqueada.
- Conecte el cable eléctrico a un tomacorriente de 120 V de corriente CA.

IMPORTANTE: Cuando mueva el purificador de aire, siempre levante la unidad de la manija para transporte que está en la parte posterior.

Conexión Wifi / Bluetooth®

Soportamos iOS8 y superior y la mayoría de Android 5 y superior.



- Conecte el cable eléctrico a un tomacorriente de 120 V de corriente CA.
- Asegúrese de que su teléfono inteligente esté conectado al WiFi.
- Descargue la aplicación gratuita de Guardian Technologies™ para su teléfono inteligente desde Apple App Store o Google Play. Ambos servicios de localización y Bluetooth necesitan estar encendidos para poder conectar el dispositivo a la aplicación de Guardian Technologies.



- Después de instalarla, presione el botón de ENLACE (LINK) hasta que la luz de la conexión inalámbrica parpadee en color verde.

Consejo: Asegúrese de que su teléfono inteligente esté a una distancia no mayor a un brazo del purificador durante el proceso de configuración.

- Complete WiFi connection as indicated on app set up instructions.

Consejo: cuando utilice el dispositivo, automáticamente seleccionará entre Bluetooth® y WiFi.



El control opcional activado por voz está disponible a través de los productos Amazon Echo™ y de las funciones de Guardian Technologies (Gi Gi) que se encuentran en la aplicación Alexa™. Nota: Para poder usar la función de control por voz, debe tener un producto Echo y haber descargado la aplicación Alexa en su teléfono inteligente. Siga las instrucciones de la aplicación Guardian Technologies para configurar la función de control por voz y vincularla con la aplicación Amazon Alexa. Antes de usarlo, asegúrese de que el purificador de aire inteligente Guardian Wifi esté conectado a una red inalámbrica y a su cuenta de Guardian Technologies.

INSTRUCCIONES DE FUNCIONAMIENTO

Ahora puede controlar su purificador de aire de manera inalámbrica y manual.



- Encienda la unidad.



- Seleccione la velocidad del ventilador, MODO 1 a 5
1 = baja, modo ultra silencioso para dormir
5 = alta velocidad para control de alérgenos



MODO AUTOMÁTICO: La última velocidad del ventilador es AUTO. Cuando AUTO está seleccionado, el



- Active o desactive la luz UV-C con el botón Modo UV-C.

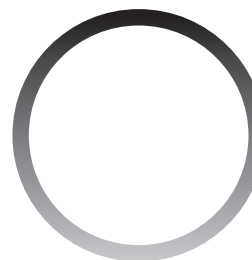


- TEMPORIZADOR:** Si prefiere que el purificador funcione durante una cantidad específica de horas, puede seleccionar entre 1 y 8 horas en la pantalla.



- ENLACE:** enlaza el purificador de aire con la configuración de la aplicación. Si aparece la luz verde, se puede conectar el WiFi al teléfono inteligente. Si aparece la luz roja, no se puede conectar el WiFi al teléfono inteligente.

INSTRUCCIONES DE FUNCIONAMIENTO



Monitor inteligente de la calidad del aire (AQM): detecta la cantidad de partículas en el aire. La luz circular en el panel frontal del purificador es el indicador del AQM y puede cambiar de color, para indicar el nivel de la calidad del aire en la habitación. El valor de las partículas se indicará en el panel de control. Vea los valores y los rangos de estado en la siguiente tabla.

Modo automático: cuando se selecciona el modo "Auto", el monitor inteligente de la calidad del aire automáticamente ajustará el nivel de velocidad del purificador para optimizar la calidad del aire de la habitación.



Su aplicación también mostrará el color del círculo y le brindará el valor de las partículas.

A continuación se indican los colores / valores que se pueden mostrar:

Color del anillo	Valor de partículas (rango)	Estado de la calidad del aire
Verde	0-100	Bueno
Amarillo	101-200	Promedio
Rojo	201+	Malo



Indicador de reemplazo del filtro: La luz de reemplazo del FILTRO HEPA en la pantalla se iluminará para indicar que es momento de reemplazar su filtro. Reemplace el filtro de acuerdo con las instrucciones (E8) y después presione y mantenga presionado el botón del TEMPORIZADOR en su purificador durante 5 segundos para reiniciar el sistema.



Su aplicación le notificará sobre esto y también le mostrará un anuncio cuando sea el momento de reemplazar el filtro.



Indicador de reemplazo del foco UV: La luz "UV" en la pantalla parpadeará cuando sea momento de reemplazar el foco UV. Reemplace el foco de acuerdo con las instrucciones (E9). Para reiniciar el indicador de reemplazo de la luz UV-C, mantenga presionado el botón UV para reiniciar el sistema. Mantenga presionado el botón durante 5 segundos y después el botón de reinicio para reiniciar.



Su aplicación le notificará sobre esto y también le mostrará un anuncio cuando sea el momento de reemplazar el foco.

*Panel de control Pitido/Sonido: Se puede apagar o encender el sonido que se emite al presionar los botones del panel de control al mantener presionado el botón de VELOCIDAD (SPEED) durante 5 segundos.

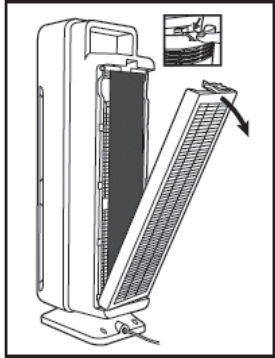
Visite la página de este producto en www.guardiantechnologies.com para obtener más información sobre el uso de la aplicación de Guardian Technologies.

REEMPLAZO DEL FILTRO

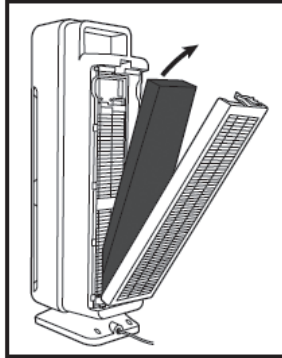


La luz del Reemplazo del FILTRO HEPA parpadeará continuamente para indicar que es momento de reemplazar su filtro. Reemplace el filtro de acuerdo con las indicaciones y reinicie el sistema. Dependiendo del uso del aparato, el filtro puede durar 6 - 8 meses aproximadamente.

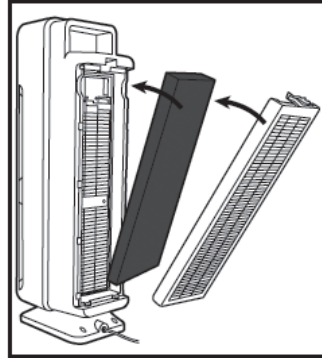
1. Apague y desenchufe la unidad.



2. Appuyez sur le bouton de verrouillage/déverrouillage et retirez le couvercle à l'arrière de l'appareil.



3. Retire el Filtro combinado utilizado (Filtro B) y tirelo a la basura.



4. Inserte el sistema del filtro en la unidad. Fijese en la flecha del filtro para ver la dirección correcta de instalación.

5. Para reiniciar el indicador del filtro, mantenga presionado el botón del temporizador durante 5 segundos.

NETTOYAGE ET ENTRETIEN DE LA COMBINAISON DE FILTRES

Mantenga el filtro revisándolo frecuentemente.

Según las condiciones de la calidad del aire, podría necesitar reemplazarlo más frecuentemente.

Aspire la capa del filtro de carbón tan seguido como sea necesario para retirar los escombros sueltos y el polvo, y para ayudar a prolongar la vida de su filtro HEPA. (Consulte la pag. E5 para ver las capas del filtro).

Para revisar el estado del filtro HEPA, retire la capa de carbón para exponer el filtro HEPA plisado. Si el filtro HEPA ya no es de color blanco y está cubierto con polvo gris o suciedad, debe reemplazarlo.

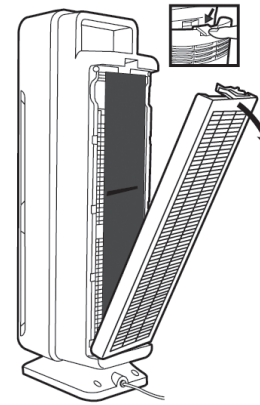
Important : ne lavez PAS et ne réutilisez PAS la combinaison de filtres.

IMPORTANTE: Utilisez uniquement pièces de rechange GENUINAS de Guardian Technologies.

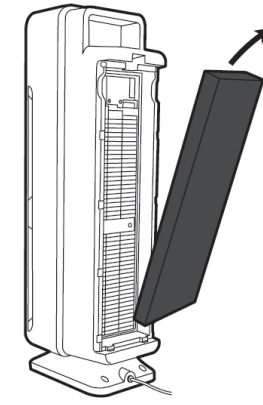
Des filtres authentiques de rechange peuvent être achetés directement sur le site www.guardiantechnologies.com

INSTALLER ET RETIRER LE TUBE UVC

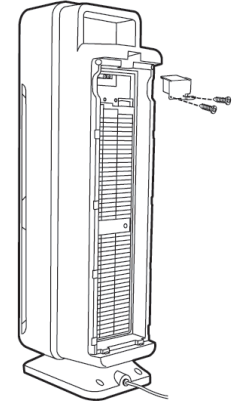
Voyant de remplacement du tube UV: L'anneau lumineux bleu sur le devant du tableau de commande du système de purification d'air clignote lorsqu'il est temps de remplacer le tube.



1. Arrêtez l'appareil et débranchez-le. Appuyez sur le bouton de verrouillage/déverrouillage et retirez le couvercle à l'arrière de l'appareil.

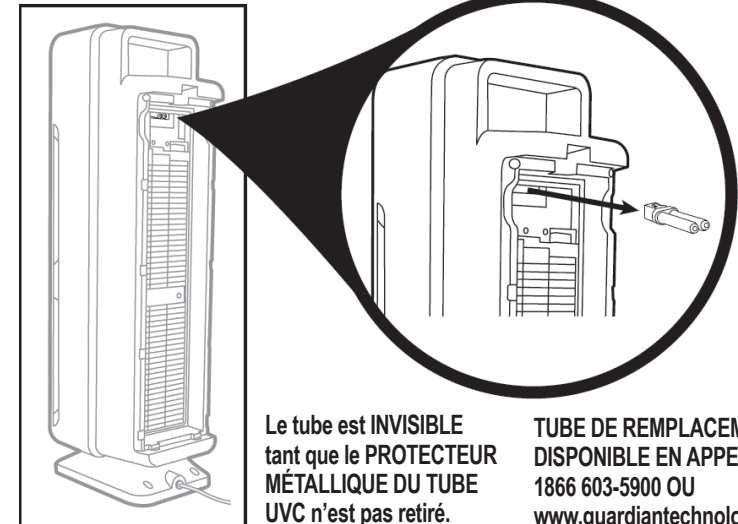


2. Retirez la combinaison de filtres de l'appareil.



3. Après avoir retiré le filtre combiné, utilisez un tournevis cruciforme pour dévisser les 2 vis et détacher le protecteur métallique de la lampe UVC.

4. Pour retirer le tube UVC, saisissez-le en utilisant un chiffon ou un mouchoir en papier propre et tirez dessus pour le dégager de l'appareil.



Le tube est INVISIBLE tant que le PROTECTEUR MÉTALLIQUE DU TUBE UVC n'est pas retiré.

TUBE DE REMPLACEMENT : LB4000 DISPONIBLE EN APPELANT LE 1866 603-5900 OU www.guardiantechnologies.com

5. Pour réinstaller le tube UVC, faites-le glisser horizontalement dans la fente en haut de l'appareil.

6. Appuyez sur le bouton UV pendant 3 secondes pour réinitialiser le voyant de remplacement du tube d'UV-C.

Remarque: N'enfoncez PAS d'objets, ni vos doigts, à l'intérieur de l'appareil.
Avertissement: N'utilisez PAS d'essence, de benzine, de diluant ou de nettoyeurs puissants (entre autres) pour nettoyer la surface intérieure ou l'extérieur de l'appareil, car cela risque de l'endommager. N'utilisez JAMAIS d'alcool ni d'autres dissolvants.

GUIDE DE DÉPANNAGE

PROBLÈME	SOLUTION
L'appareil ne fonctionne pas.	Vérifiez que l'appareil est branché. Vérifiez que le filtre est bien en place. Confirmez que le filtre de rechange est un filtre authentique laclientèle.
L'appareil s'éteint intempestivement.	Vérifiez que l'appareil est branché à une prise de courant fonctionnelle. Vérifiez que le filtre HEPA est bien en place. Vérifiez que le couvercle arrière est bien verrouillé. Veuillez communiquer avec le service à la clientèle.
Nil n'y pas de circulation d'air.	Débranchez l'appareil. Vérifiez le préfiltre au charbon et le filtre HEPA. Nettoyez le préfiltre au charbon au besoin. Remplacez le filtre HEPA au besoin.
Augmentation du niveau de bruit.	Assurez-vous que les filtres sont propres. Remplacez-les au besoin.
La aplicación no se descargará.	Asegúrese de tener la actualización más reciente en su teléfono inteligente.
No se "ENLAZA" o no encuentra de que el teléfono inteligente con Wifi o Bluetooth®	Verifique que el dispositivo esté conectado. Asegúrese esté a una distancia no mayor a un brazo del purificador. Asegúrese de que la luz esté parpadeando con color azul.
El monitor de calidad del aire regularmente muestra una lectura elevada.	Limpie el sensor en el lateral derecho de la unidad con aire envasado o una manguera de aspiración.
La luz en el centro de la pantalla emite un destello rojo.	En la aplicación de Guardian Technologies, toque el botón de menú en la parte superior derecha de la ventana y seleccione el botón "Wifi Setting" (Configuración de Wi-fi) Vuelva a activar la conexión.

¿Qué significa CADR?

CADR es la sigla inglesa de "Clean Air Delivery Rate" que significa índice de liberación de aire limpio. Esto indica el volumen del aire filtrado que libera un purificador de aire. Los índices CADR muestran la eficacia del purificador de aire para capturar las partículas finas de cosas como el humo de tabaco y el polen de las plantas de la habitación.

Promedio de emisión de aire puro

Compare los números CADR entre un purificador de aire y otro. Mire primero el tamaño de la habitación para la cual se recomienda. Enseguida, consulte los números del promedio de emisión de aire puro (CADR). Mientras más elevado sea el número, más rápidamente se filtra el aire.

Consulte el sitio web para los números CADR modelo individuales.