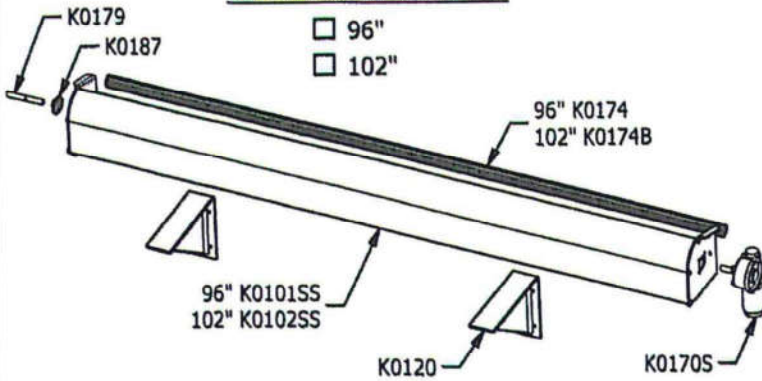
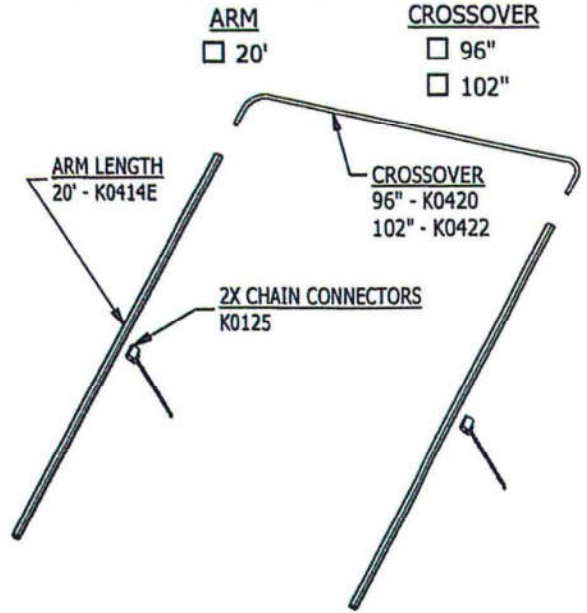


# FLIP TARP ASSEMBLY FOR FRONT MOUNT TRAILERS 29' AND OVER MANUAL AND ELECTRIC

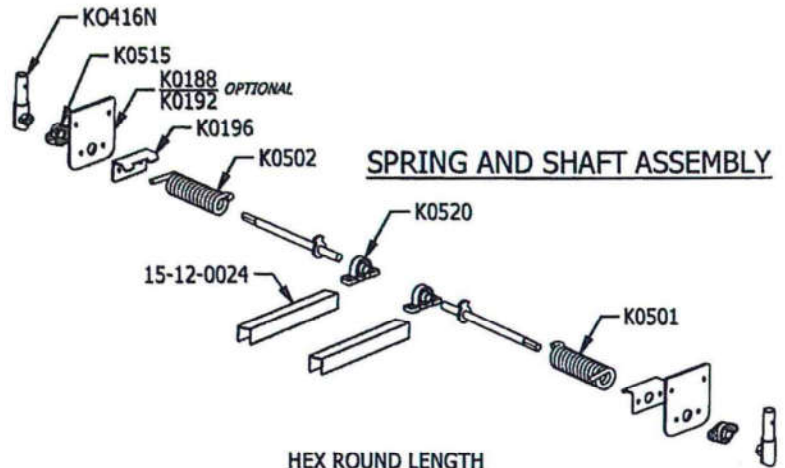
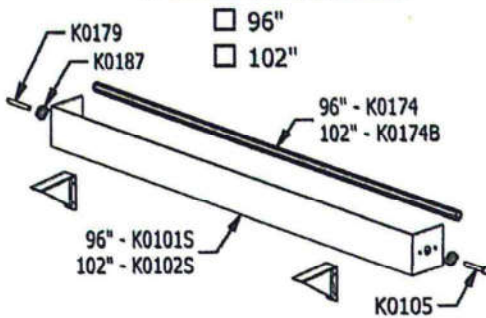
## SMOOTH ROLLER BOX ELECTRIC ASSEMBLY



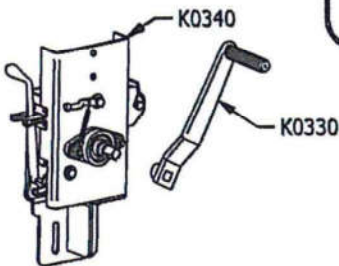
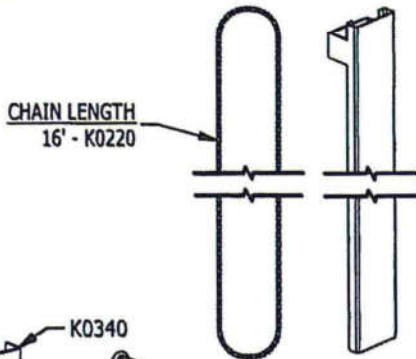
## ARM AND CROSSOVER ASSEMBLY



## TREAD ROLLER BOX MANUAL ASSEMBLY



## CHAIN AND GEARBOX ASSEMBLY



## HEX ROUND LENGTH

- 19" - K0522HE
- 24" - K0524HE
- 27" - K0525HE FRAMELESS OPTION
- 31" - K0631HE FRAMELESS OPTION

## OPTIONS

<b>DROP PLATES FOR UNDER THE RAIL SPRING ASSEMBLY</b> <input type="checkbox"/> K0188S - ALUMINIUM SET <input type="checkbox"/> K0192S - STEEL SET		<b>FIVE PIECE CROSSOVER</b> <input type="checkbox"/> K0424	<b>MANUAL BACKUP</b> <input type="checkbox"/> K0163
<b>WIRELESS REMOTE</b> <input type="checkbox"/> MPW1000	<b>LADDER</b> <input type="checkbox"/> K02010	<b>INSTALLED LADDER</b> <input type="checkbox"/> K0211	<b>BENT ARMS:</b>

PART #	KIT DESCRIPTION	PRICE	PART #	KIT DESCRIPTION	PRICE
K620TM	29' TO 36' TRAILER MANUAL 96"		K020TM	29' TO 36' TRAILER MANUAL 102"	
K620TE	29' TO 36' TRAILER ELECTRIC 96"		K020TE	29' TO 36' TRAILER ELECTRIC 102"	