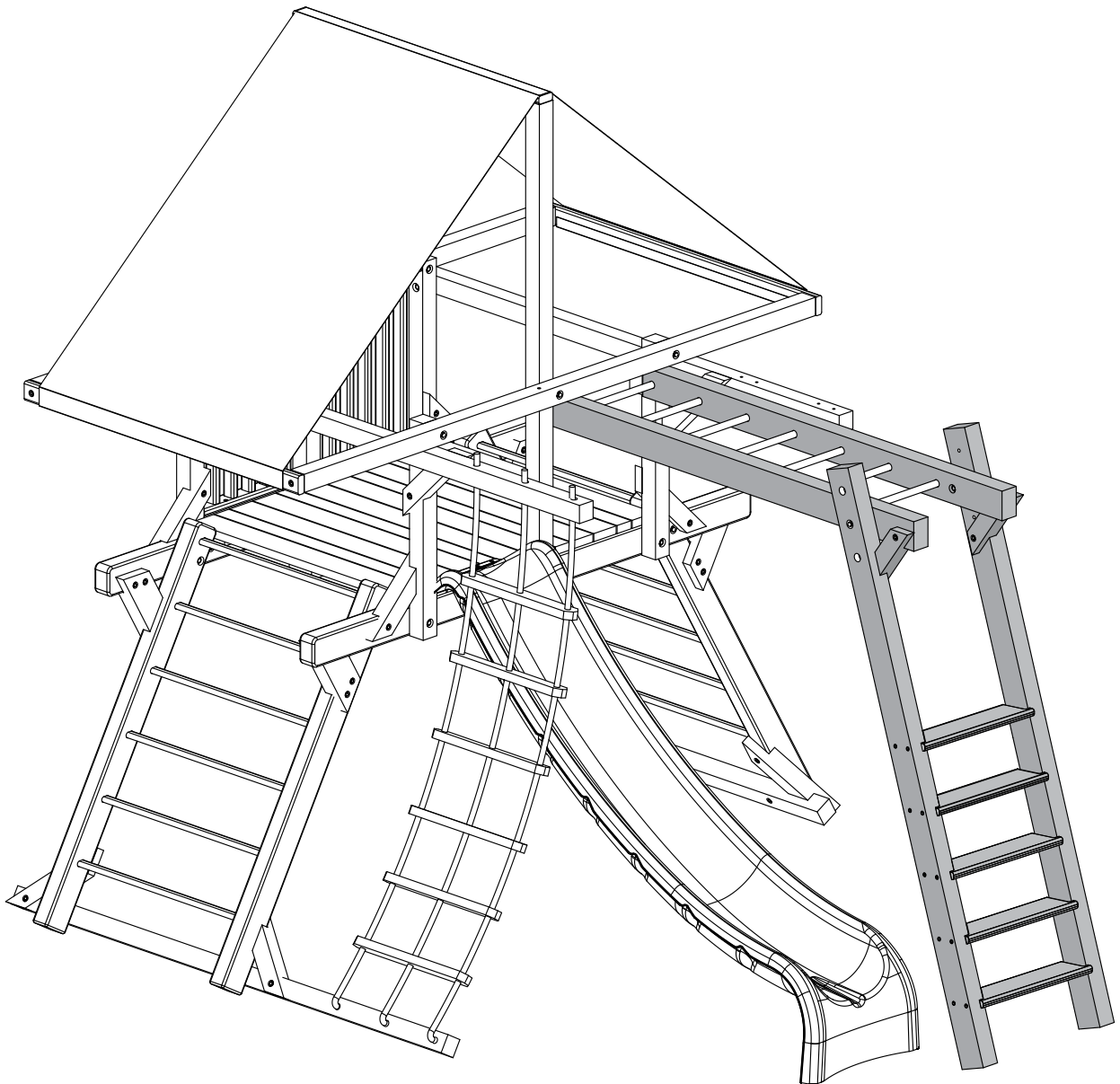


# WOODPLAY<sup>®</sup>

## Playsets

### MONKEY CLIMBER

#### Assembly Instructions



PG-BN-OC-02

# I N T R O D U C T I O N

Welcome to our family of ready-to-build backyard play equipment. WOODPLAY playsets are designed with ease of assembly in mind and we provide these step-by-step installation instructions. After reading the information below, locate your structure site and carefully unpack parts. As you unpack your playset, keep the parts identification sheet handy and become familiar with each part before beginning assembly. **Remember that a little extra time spent familiarizing yourself with the parts and instructions before you begin will help you avoid mistakes and save you time later.**

## Choosing A Location For Your Playset

When selecting your structure site, always keep the child's safety in mind. Here are some recommendations to help you create a safe play area.

A. The playset should be located on level ground. The stationary components such as ladders and slides are **REQUIRED** to be a minimum of six feet from any structure or obstruction such as a fence, garage, house, tree or overhanging branches, electrical wires or clotheslines. Any swinging equipment is also **REQUIRED** to be a minimum distance twice the height of the swing beam away from these obstructions or structures as well. We also recommend that you do not install your playset near a lake, river, swimming pool or other water hazard.

B. The U.S. Consumer Product Safety Commission (CPSC) recommends that you install and maintain a resilient surface under your play equipment. The CPSC's Consumer Information Sheet for Playground Surfacing Materials at the end of this manual. A resilient surface, should be installed after the equipment has been completely assembled according to these instructions. The equipment must rest on solid ground. Please note that this product has a maximum fall height of 8'.

Do not install home playground equipment indoors, or over concrete, asphalt, packed earth, grass, carpet or any other hard surface. A fall onto a hard surface can result in serious or fatal injury.

Responsible on-site adult supervision is one of the most important contributions to children's safety that you can make. WOODPLAY strongly recommends on-site adult supervision of children of all ages. Safe swinging and climbing skills need to be taught to children, just like any other physical activity.

The weight limit for any single user on WOODPLAY play equipment is 200 pounds. Limit the number of users to one on each swing. The tower portion of the play system will accommodate four (4) additional users.

When the time comes to disassemble and dispose of the play equipment, do so in such a way that no hazards will exist at the time the equipment is discarded.

## Maintaining Your Playset

Here are some maintenance tips required to insure safe enjoyment of your equipment for years to come.

A. At the beginning of each usage season and every two weeks during, check: nuts and bolts and tighten as needed, swing seats, chains, ladders, slides, rope and wood components for signs of deterioration and replace if necessary.

B. On a yearly basis, we recommend that you coat your playset with a sealant or preservative. You may also want to spot sand any areas prior to sealing. Be sure that the sealant you select is non-toxic and child safe.

C. Do not use line trimmers or "weed eaters" around your play equipment. The line will remove both stain and wood from uprights and base pieces. Any damage resulting from this type of abuse is not covered under our limited warranty.

D. Remove plastic swing seats and take indoors or do not use when the temperature drops below 0° F.

If you have any questions about your playset, or are in need of replacement parts, call 1-800-GO-SWING.  
Please keep these instructions for future reference.

## Teach Children:

- Not to walk close to, in front of, behind, or between moving items.
- Not to twist the swing ropes, or loop them over the top support bar, since this may reduce the strength of the rope.
- Not to swing empty swing seats.
- Not to swing sideways into the path of adjacent swings.
- Not to use the equipment in a manner other than that for which it is intended.
- Not to get off the equipment while it is in motion.
- Not to jump off the tower.
- Not to climb or swing when they are wet or when the equipment is wet.
- To sit in the center of the swings with their full weight on the seats.
- To hold on to swings and climbers with both hands.
- Not to stand in the swing seats.
- Not to ride or leave bicycles or other toys in the swing area.
- Not to use hammers, saws, nails, or wrenches on the equipment.
- Not to swing so high that chains become slack, or above the height of the swing support.
- Not to jump on a slide.
- Not to climb on top of the swing support.
- Not to attach to the playground equipment any item that is not specifically designed for use with the equipment, such as (but not limited to) jump ropes, clotheslines, pet leashes, cables, and chains. These may become strangulation hazards.
- To slide feet first, never head first.
- To watch for other children while swinging or playing near the equipment.

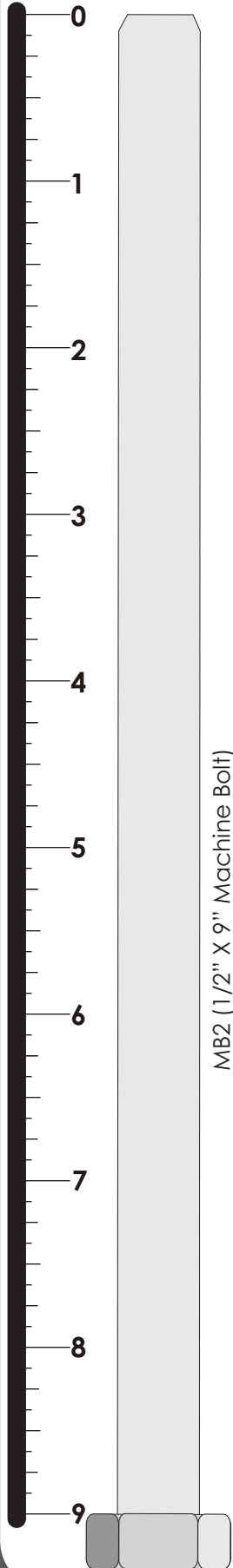
## In Addition, Adults Must:

- Limit climbing and swinging heights to each child's ability.
  - Verify that suspended climbing ropes are secured at both ends.
  - Verify that suspended climbing ropes cannot be looped back on themselves.
  - Dress children appropriately for play. Use well-fitting shoes that do not have slippery soles.
- Avoid ponchos, scarves, hoods, loose-fitting clothing, neckties, and any clothing with a drawstring. Serious injury could result should any part of the children's clothing become entangled in the equipment.
- Do not allow children to play wearing helmets.
  - Remember that children are inventive. When they develop games that are unsafe, be alert and change the rules.

# HARDWARE IDENTIFICATION

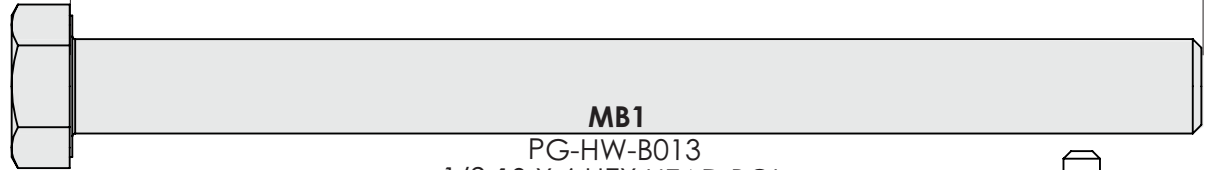
## NOTE TO INSTALLER

You must assemble this product in accordance with these Assembly Instructions. After assembly is complete, please give this Owner's Manual to the owner of the play system.

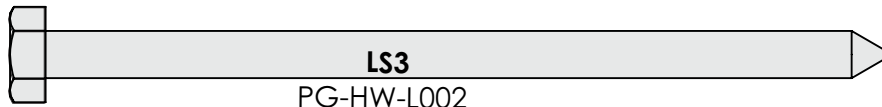


MB2 (1 1/2" X 9" Machine Bolt)

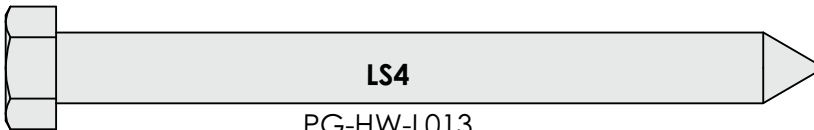
Measurement taken from bottom of bolt head to the bottom of bolt.



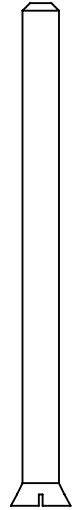
**MB1**  
PG-HW-B013  
1/2-13 X 6 HEX HEAD BOLT  
QTY: (4)



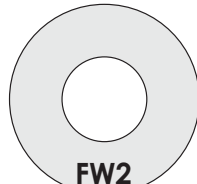
**LS3**  
PG-HW-L002  
1/4" X 4 1/2" LAG SCREW  
QTY (20)



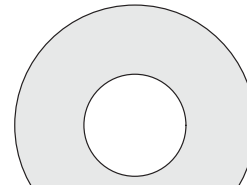
**LS4**  
PG-HW-L013  
3/8" X 4" LAG SCREW  
QTY (4)



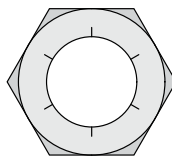
PG-HW-S014  
#10 x 2 1/2 Self Tapping Screw



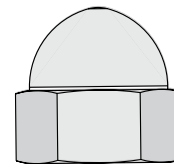
**FW2**  
PG-HW-W004  
(3/8" FLAT WASHER)  
QTY (4)



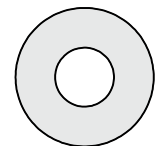
**FW3**  
PG-HW-W005  
(1/2" FLAT WASHER)  
QTY (8)



**SN2**  
PG-HW-N004  
(1/2" LOCK NUT)  
QTY (4)



**SN3**  
PG-HW-N005  
(1/2" ACORN NUT)  
QTY (4)



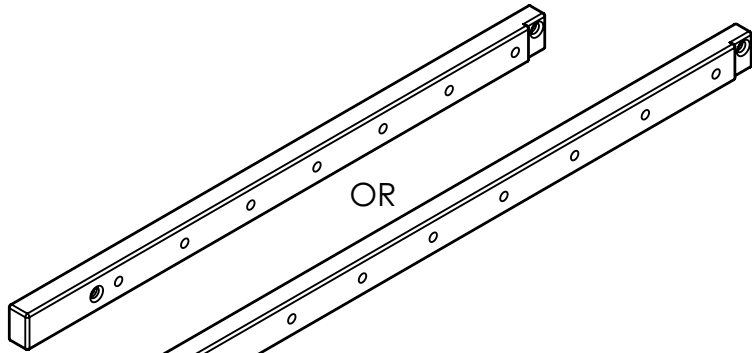
**FW1**  
PG-HW-W002  
1/4" Flat Washer  
QTY (20)

## TOOLS NEEDED

1/2" Drive Ratchet  
9/16" Socket  
3/4" Socket

Drill & 3/8" Bit  
Rubber Mallet  
A Friend or Neighbor

# STANDARD PARTS LIST



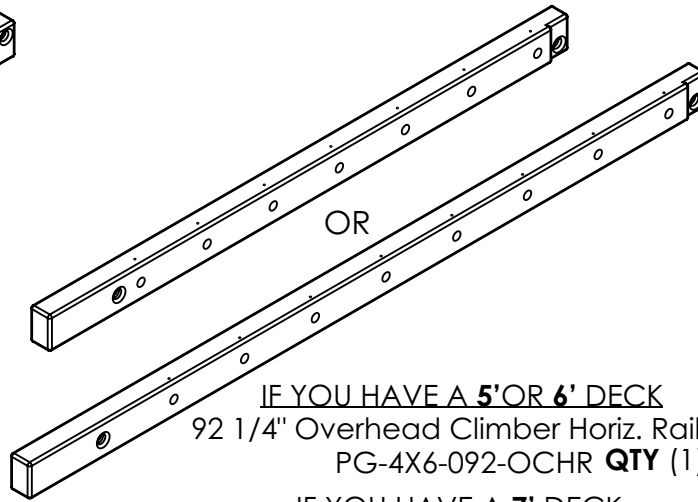
OR

IF YOU HAVE A 5' OR 6' DECK

92 1/4" Overhead Climber Horiz. Rail Left  
PG-4X6-092-OCHE QTY (1)

IF YOU HAVE A 7' DECK

120" Overhead Climber Horiz. Rail Left  
PG-4X6-120-OCHE QTY (1)



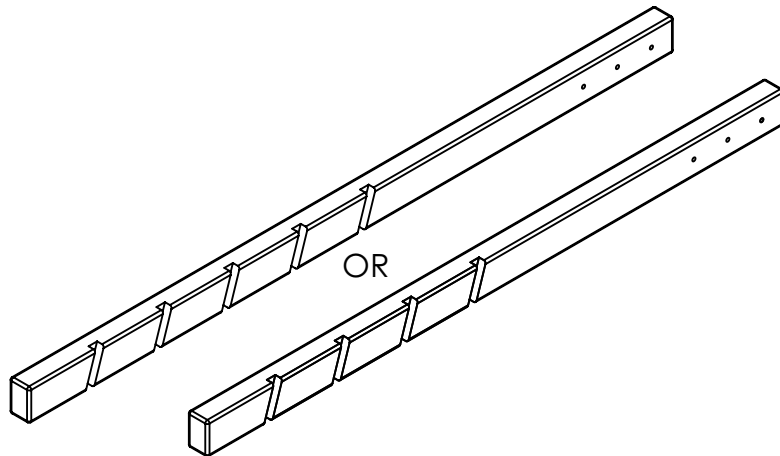
OR

IF YOU HAVE A 5' OR 6' DECK

92 1/4" Overhead Climber Horiz. Rail Right  
PG-4X6-092-OCHR QTY (1)

IF YOU HAVE A 7' DECK

120" Overhead Climber Horiz. Rail Right  
PG-4X6-120-OCHR QTY (1)



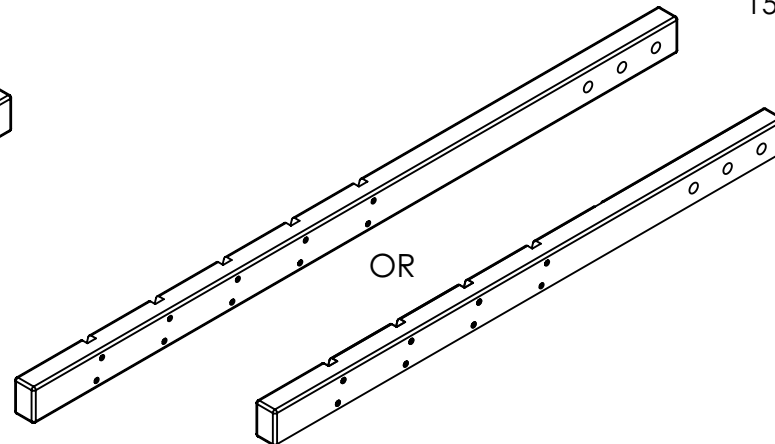
OR

IF YOU HAVE A 5' OR 7' DECK

101" Overhead Climber Vert Lad Right  
PG-4X6-101-OCVR-STP  
QTY (1)

IF YOU HAVE A 6' DECK

114" Overhead Climber Vert Lad Right  
PG-4X6-114-OCVR-STP  
QTY (1)



OR

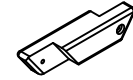
IF YOU HAVE A 5' OR 7' DECK

101" Overhead Climber Vert Lad Left  
PG-4X6-101-OCVL-STP  
QTY (1)

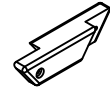
IF YOU HAVE A 6' DECK

114" Overhead Climber Vert Lad Left  
PG-4X6-114-OCVL-STP  
QTY (1)

**NOTE:** Woodplay playsets are sold in both Redwood and Chinese Cedar. All the part numbers in this manual with the suffix "PG-" are made of Chinese Cedar. If you have a Redwood set change the suffix to "PGR-" to order redwood parts.



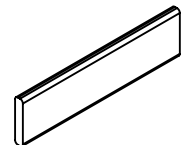
15 3/4" - 36 Degree OC Brace Right  
PG-4X4-016-BRR  
QTY (1)



15 3/4" - 36 Degree OC Brace Left  
PG-4X4-016-BRL  
QTY (1)



21 3/8" Ladder Rung  
PG-ST-0003  
QTY (7)



IF YOU HAVE A 5' OR 7' DECK  
27 3/4" Ladder Step  
PG-2X8-028-STP  
QTY (5)

IF YOU HAVE A 6' DECK  
QTY (4)

## ATTACH RUNGS TO RAILS TO MAKE HORIZONTAL LADDER ASSEMBLY

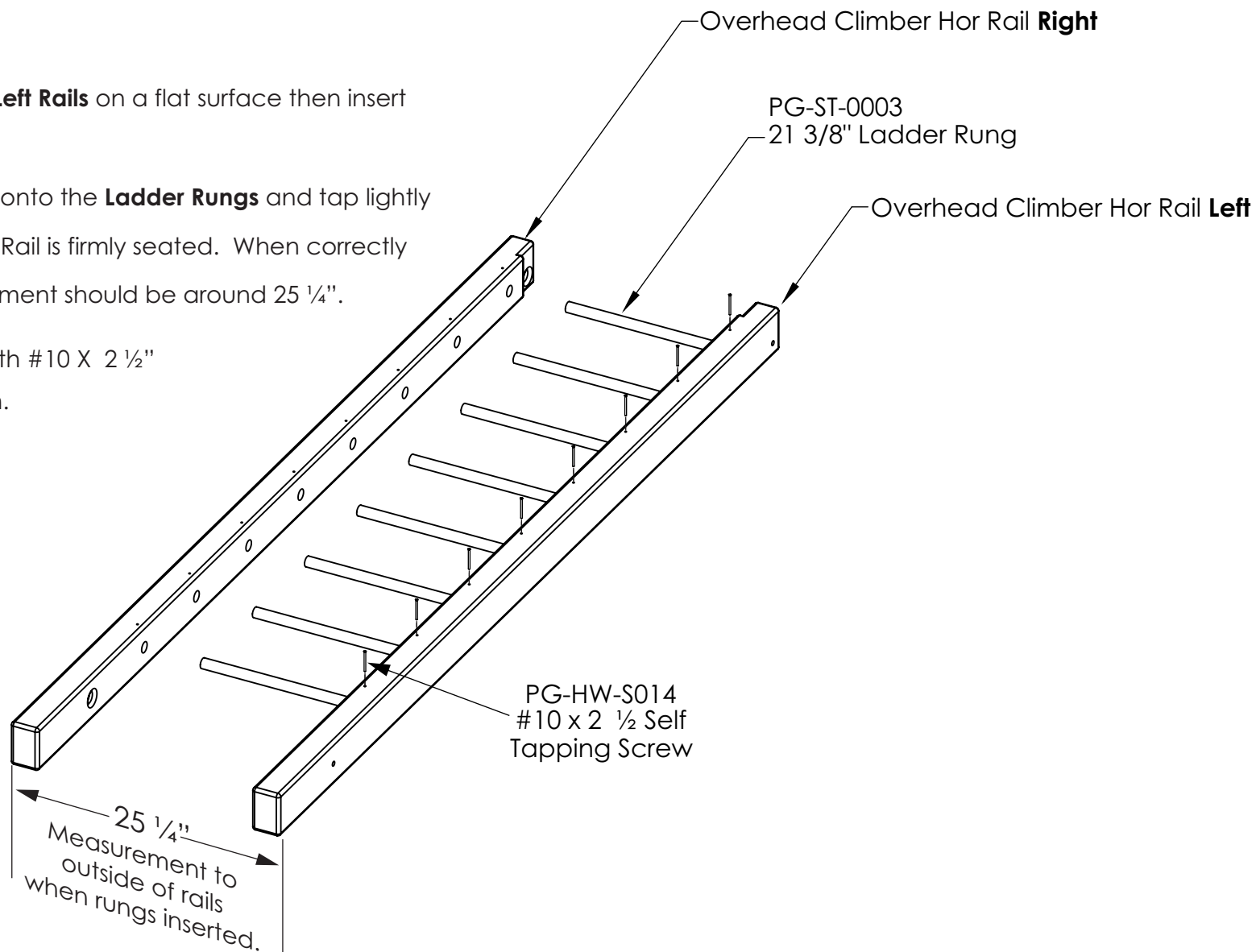
### PARTS NEEDED:

- (1) 92 1/4" Horizontal Rail Right
- (1) 92 1/4" Horizontal Rail Left
- (1) 21 3/8" Ladder Rung

1. Lay the **Horizontal Right and Left Rails** on a flat surface then insert **Ladder Rungs** as shown.

2. Slide the **Horizontal Rail Right** onto the **Ladder Rungs** and tap lightly with a rubber mallet until the Rail is firmly seated. When correctly inserted the outside measurement should be around 25 1/4".

3. Secure Rungs to **both Rails** with #10 X 2 1/2" Self Tapping Screws as shown.



## ATTACH STEPS TO RAILS TO MAKE VERTICAL LADDER ASSEMBLY

### PARTS NEEDED:

- (1) Vertical Ladder Right
- (1) Vertical Ladder Left
- (4) or (5) 27 3/4" Ladder Step

### HARDWARE NEEDED:

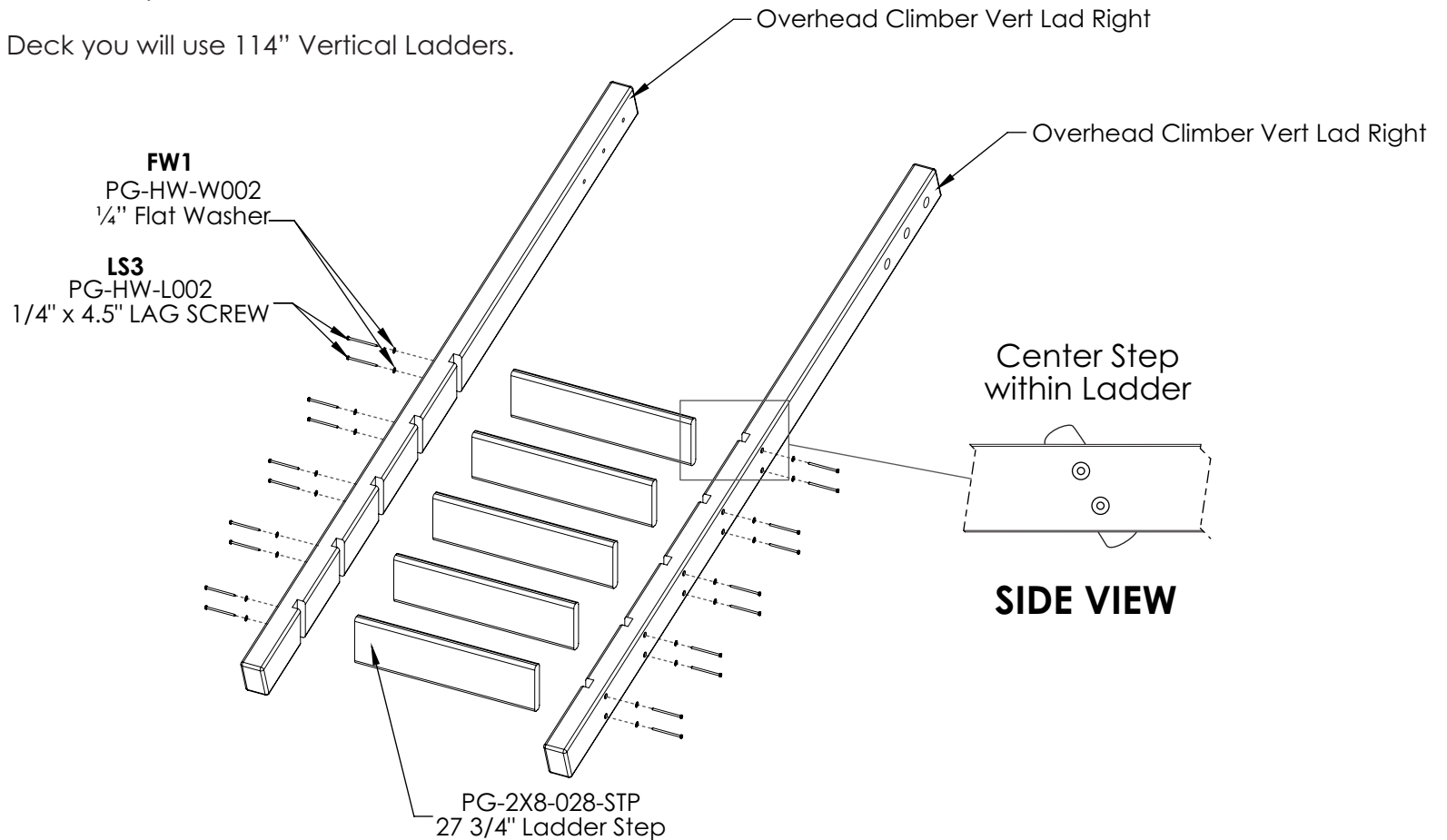
- (20) FW1 (1/4" Flat Washer)
- (20) LS3 (1/4" Lag Screw)

3. Attach the Ladder Steps to the **Vertical Right & Left ladders**, with 1/4" Lag Screws and Washers.

Make sure to center the steps on the Ladder Rails. See **Side View**.

NOTE: If you have a **5'** or **7'** Deck you will use 101" Vertical Ladders.

NOTE: If you have a **6'** Deck you will use 114" Vertical Ladders.



## ATTACH 36 DEGREE BRACES TO VERTICAL LADDER ASSEMBLY

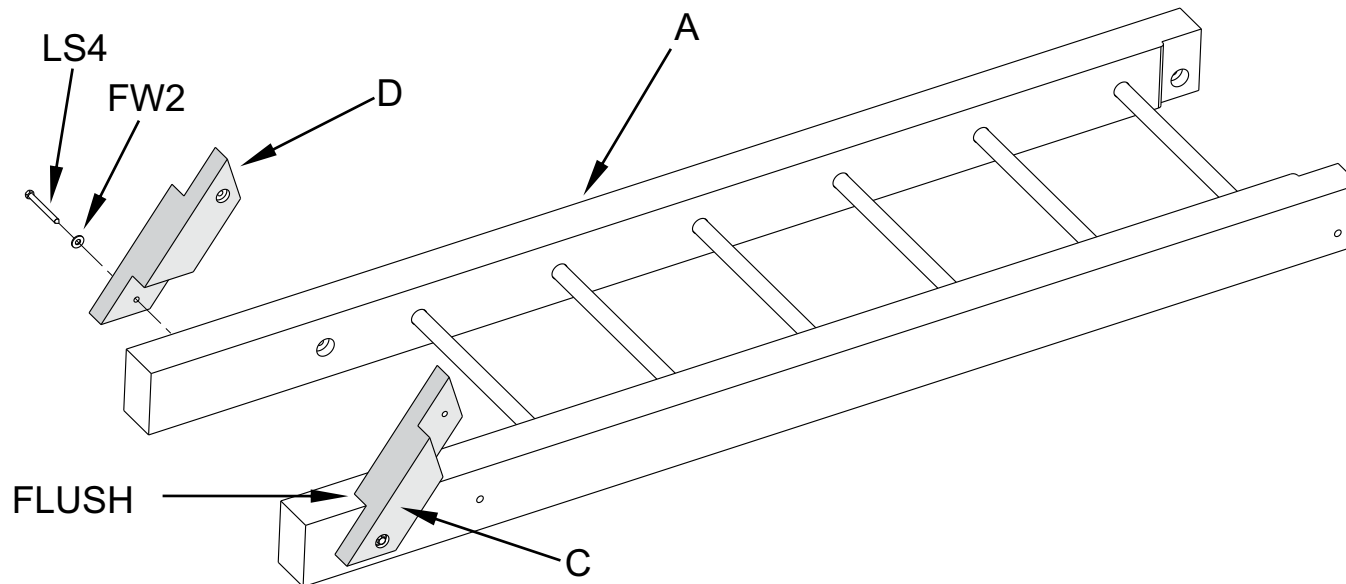
### PARTS NEEDED:

- (1) A (Horizontal Ladder Assembly)
- (1) C (Angle Brace Left)
- (1) D (Angle Brace Right)

### HARDWARE NEEDED:

- (2) LS4 (3/8" X 4" Lag Screw)
- (2) FW2 (3/8" Flat Washer)

4. While on a flat surface lay the Horizontal Ladder part **A** as shown below. Attach Angle Brace Left **C** and Right **D** using Lag Screws **LS4** and 3/8" Flat Washers **FW2** making sure that braces are **FLUSH** to Part **A** as shown.





## ATTACH HORIZONTAL & VERTICAL LADDER ASSEMBLIES

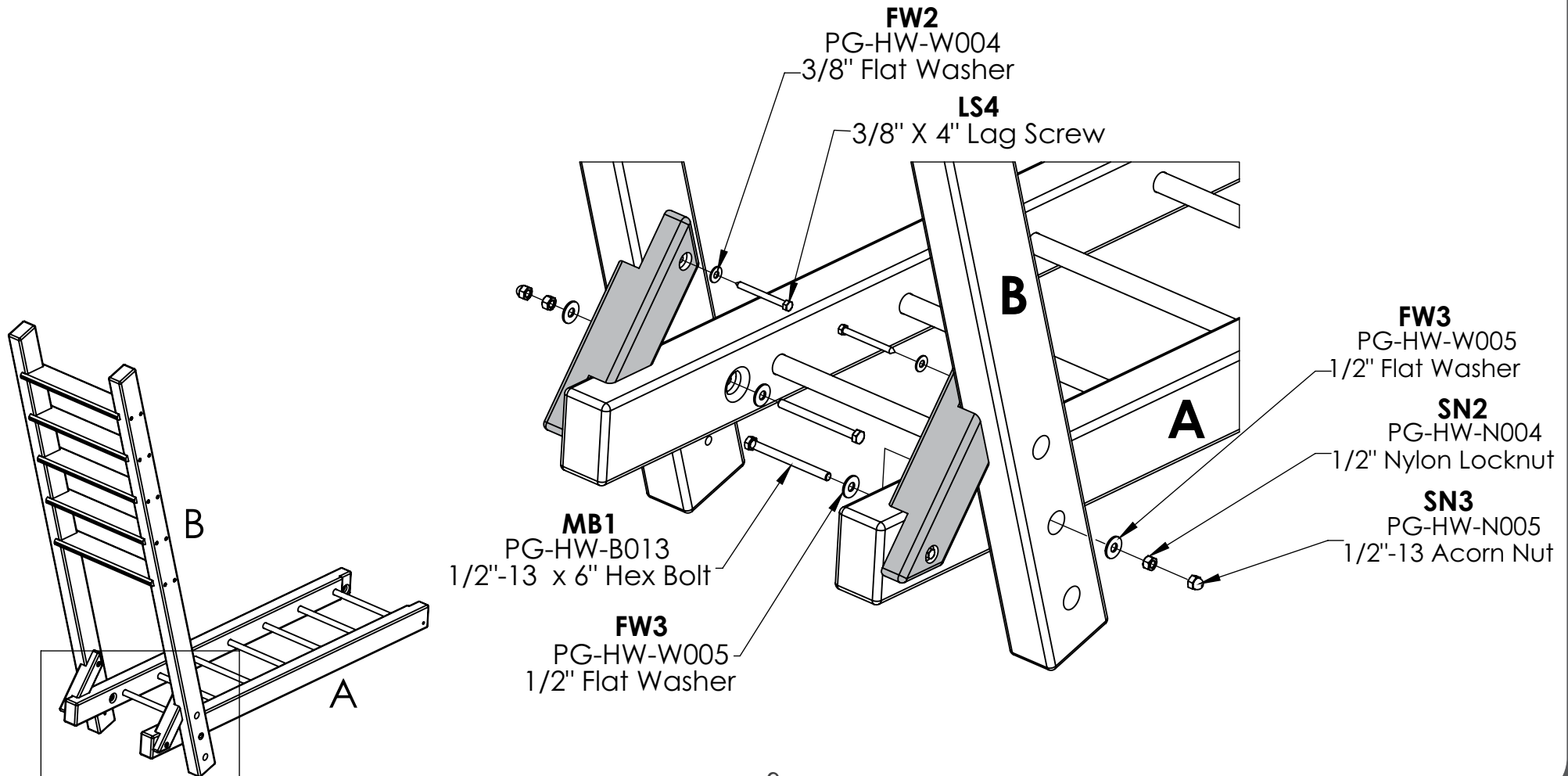
### PARTS NEEDED:

- (1) A (Horizontal Rung Ladder)
- (1) B (Vertical Step Ladder)

### HARDWARE NEEDED:

- (2) LS4 (3/8" X 4" Lag Screw)
- (2) FW2 (3/8" Flat Washer)
- (2) MB1 (1/2" X 6" Machine Bolt)
- (4) FW3 (1/2" Flat Washer)
- (2) SN2 (1/2" Lock Nut)
- (2) SN3 (1/2" Acorn Nut)

5. Place 108" Vertical ladder **B** and fasten it to the Horizontal ladder **A** with bolts **MB1**, washers **FW3**, Locknuts **SN2** and Acorn nuts **SN3** as shown in **detail 1**. Attach Angle Braces **C** and **D** to Vertical ladder **B** using Lag screws **LS4** and Washers **FW2** making sure that braces are **FLUSH** to Part **B** as shown.



# ATTACH MONKEY CLIMBER ASSEMBLY TO PLAYSET

## PARTS NEEDED:

(1) Step 5 Assembly

## HARDWARE NEEDED:

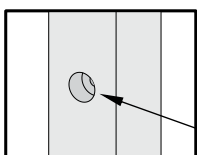
- (1) MB1 (1/2" X 6" Machine Bolt) \* Additional 6" bolt required if 9" bolt not needed
- (1) MB2 (1/2" X 9" Machine Bolt) \* Only for existing bolt replacement
- (4) FW3 (1/2" Flat Washer)
- (2) SN2 (1/2" Lock Nut)
- (2) SN3 (1/2" Acorn Nut)

IF INSTALLING ON 5' OR 6' DECK HEIGHT **CONTINUE** ON WITH THIS STEP.



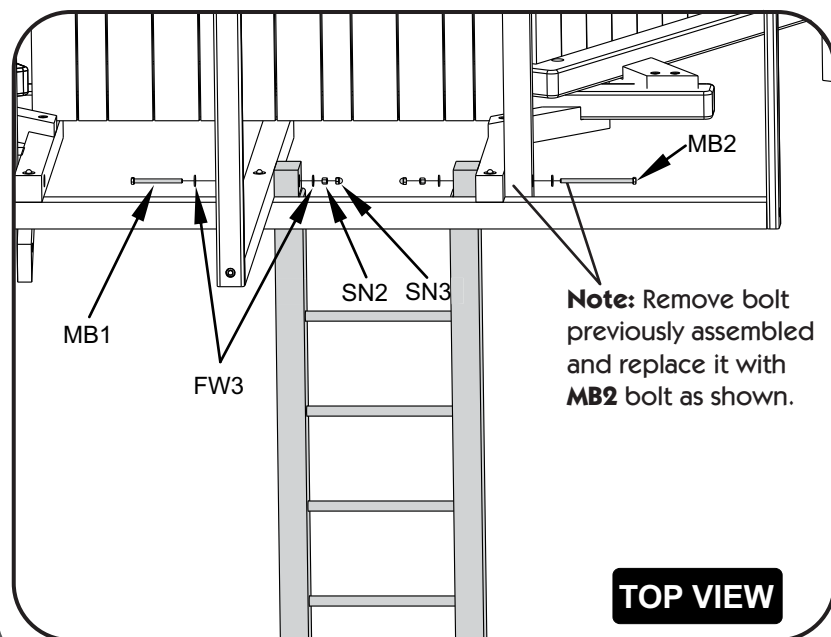
IF INSTALLING ON 7' DECK **GO TO** Section **A** and Section **B**.

**NOTE:** If hole lines up with existing hardware replace bolt with 9" bolt, if not drill hole and **counterbore** as required. See Detail below.

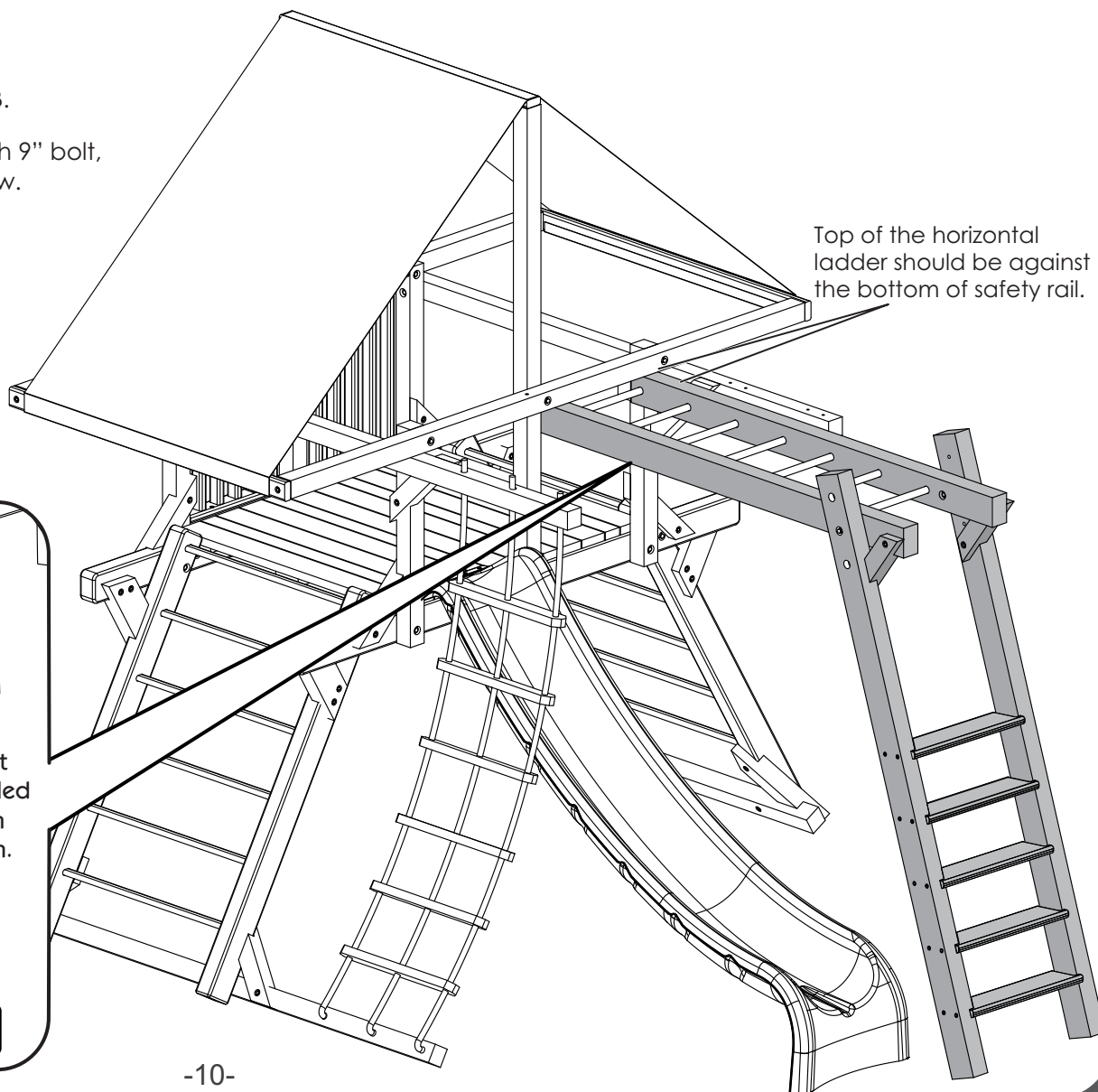


$\varnothing \frac{9}{16}$ " THRU ALL  
**Counterbore**  $\sqcup 1\frac{1}{2}$ " X  $\frac{5}{8}$ "  $\nabla$

**6.** With the help of another person, attach the Monkey Climber to your playset using **MB1** Bolt, **MB2** bolt, four **FW3** Washers, two **SN2** Nuts and two **SN3** Acorn Nuts.



**Note:** Remove bolt previously assembled and replace it with **MB2** bolt as shown.



# SECTION A: ATTACH STEP 2 ASSEMBLY TO PLAY SET 7' DECK HEIGHT (NO SKYBOX)

## A

If you are installing a **Monkey Climber WITHOUT a Skybox** continue with this step.



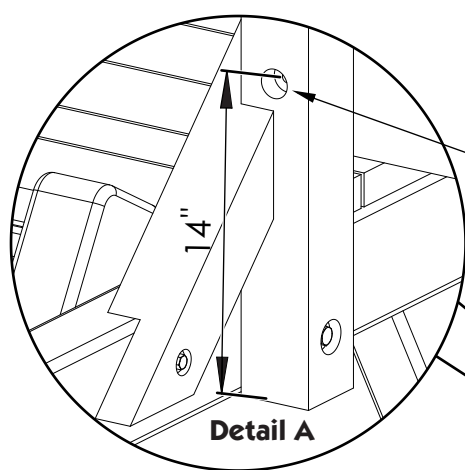
If you are installing a **Monkey Climber WITH a Skybox** continue to **Step 3B**.

### PARTS NEEDED:

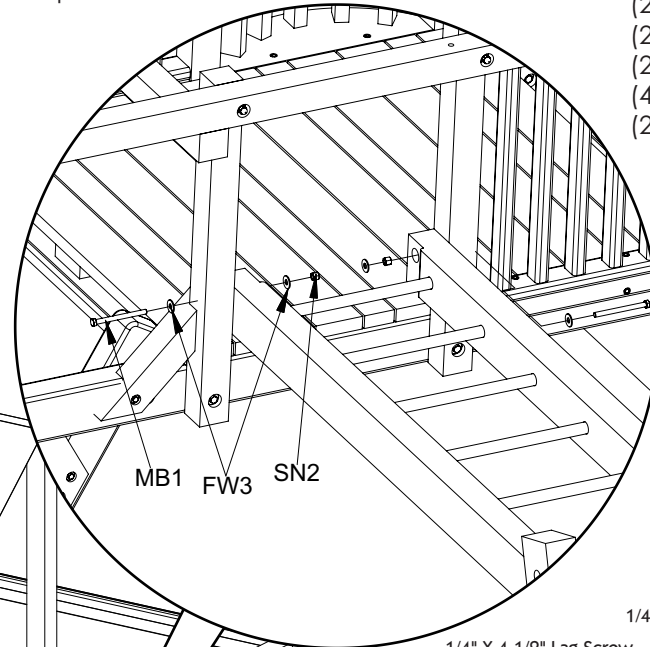
- (1) Step 2 Assembly
- (1) Side Panel

### HARDWARE NEEDED:

- (1) MB1 (1/2" X 6" Machine Bolt)
- (4) FW3 (1/2" Flat Washer)
- (2) SN2 (1/2" Lock Nut)
- (2) SN3 (1/2" Acorn Nut)
- (2) (1/4" X 4 1/2" Lag Screw)
- (4) (1/4" Flat Washer)
- (2) (1/4" 2 1/2" Lag Screw)



$\varnothing \frac{9}{16}$ " THRU ALL  
Counterbore  $\sqsupset 1\frac{1}{2}$ " X  $\frac{5}{8}$ "

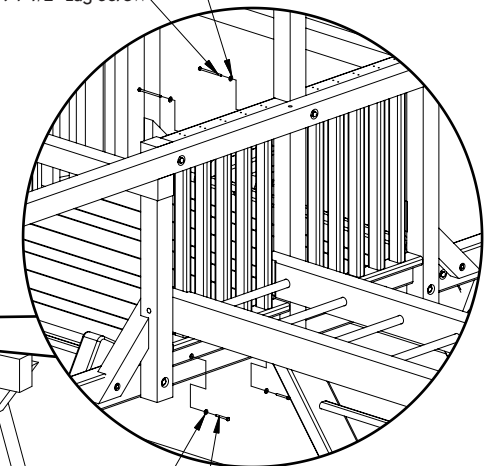


Attach Side panel to cover the space where Monkey Climber is attached as shown.

**7.** Remove any Side Panels as needed.  
Drill holes and counterbores as shown in **detail A**.

**8.** With the help of another person, attach the Monkey Climber to your playset using **MB1** Bolt, four **FW3** Washers, two **SN2** Nuts.

1/4" Flat Washer  
1/4" X 4 1/2" Lag Screw



## SECTION B: ATTACH ASSEMBLY TO PLAY SET WITH 7' DECK HEIGHT (with SKYBOX)

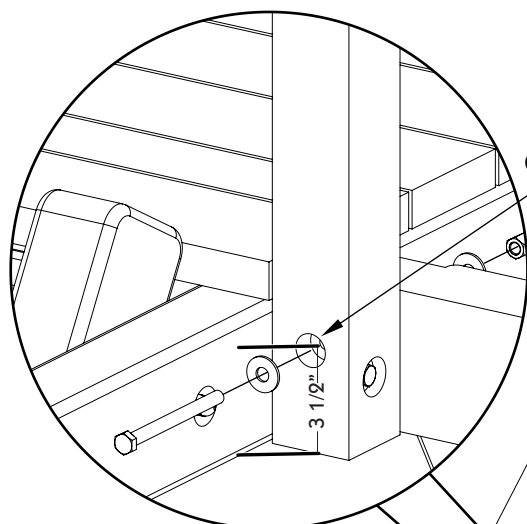
### B

#### PARTS NEEDED:

(1) Step 2 Assembly

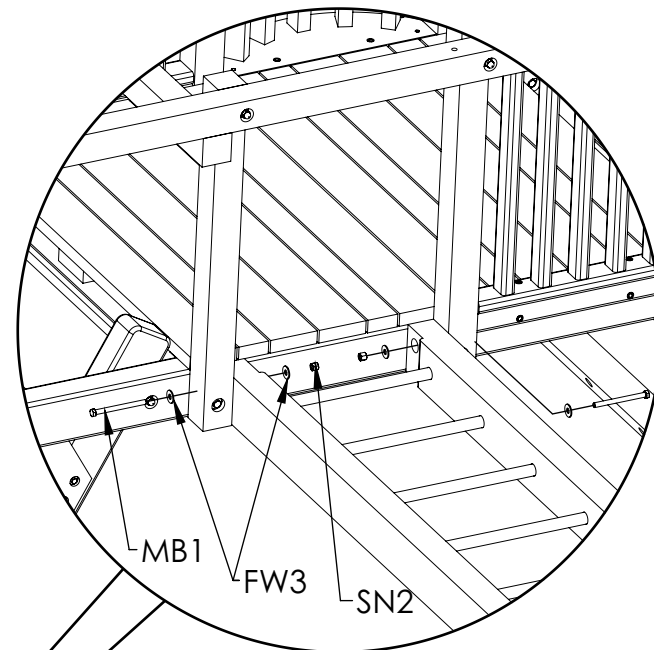
#### HARDWARE NEEDED:

(1) MB1 (1/2" X 6" Machine Bolt)  
(4) FW3 (1/2" Flat Washer)  
(2) SN2 (1/2" Lock Nut)  
(2) SN3 (1/2" Acorn Nut)



Detail B

$\varnothing \frac{9}{16}$ " THRU ALL  
Counterbore  $\square 1 \frac{1}{2}$ " X  $\frac{5}{8}$ "  $\nabla$



MB1

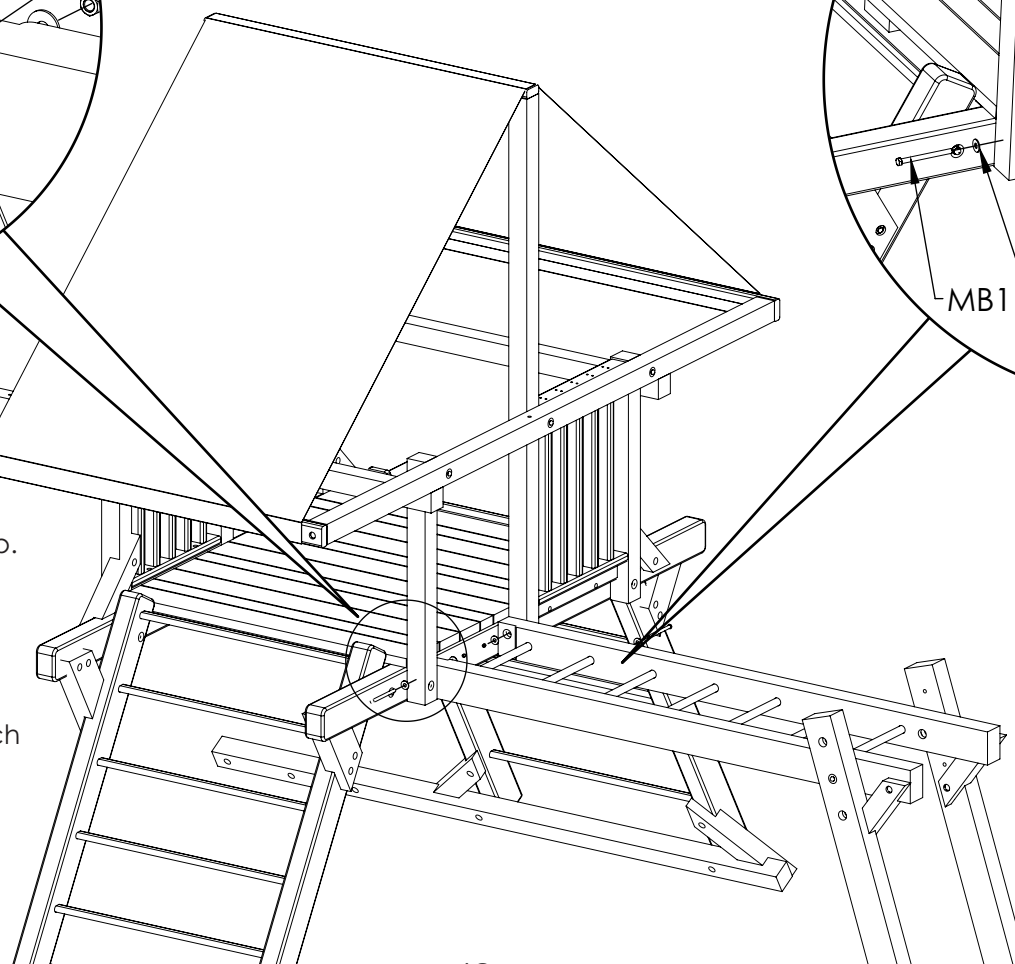
FW3

SN2

9. If you are installing a **Monkey Climber with a Skybox** continue to with this step.

10. Remove any Side Panels as needed. Drill holes and counterbores as shown in **detail B**.

11. With the help of another person, attach the Monkey Climber to your playset using **MB1** Bolt, four **FW3** Washers, two **SN2** Nuts. Once this step is complete continue with **Skybox instructions included in your box**.



# Consumer Information Sheet for Playground Surfacing Materials<sup>1</sup>

The U.S. Consumer Product Safety Commission (CPSC) estimates that about 100,000 playground equipment-related injuries resulting from falls to the ground surface are treated annually in the U.S. hospital emergency rooms. Injuries involving this hazard pattern tend to be among the most serious of all playground injuries, and have the potential to be fatal, particularly when the injury is to the head.

The surface under and around playground equipment can be a major factor in determining the injury-causing potential of a fall. It is self evident that a fall onto a shock absorbing surface is less likely to cause a serious injury than a fall onto a hard surface. Playground equipment should never be placed on hard surfaces such as concrete or asphalt and while grass may appear to be acceptable it may quickly turn to hard packed earth in areas of high traffic. Shredded bark mulch, wood chips, fine sand or fine gravel are considered to be acceptable shock absorbing surfaces when installed and maintained at a sufficient depth under and around playground equipment.

The following table lists the maximum height from which a child would not be expected to sustain a life-threatening head injury in a fall onto four different loose-fill surfacing materials if they are installed and

maintained at depths of 6", 9", and 12". However, it should be recognized that all injuries due to falls cannot be prevented no matter what surfacing material is used.

It is recommended that a shock absorbing material should extend a minimum of 6' in all directions from the perimeter of stationary equipment such as climbers and slides. However, because children may deliberately jump from a moving swing, the shock absorbing material should extend in the front and rear of a swing a minimum distance of 2 times the height of the pivot point measured from a point directly beneath the pivot point supporting structure.

This information is intended to assist in comparing the relative shock-absorbing properties of various materials. No particular material is recommended over another. However, each material is only effective when properly maintained. Materials should be checked periodically and replenished to maintain correct depth as determined necessary for your equipment. The choice of a material depends on the type and height of the playground equipment, the availability of the material in your area, and its cost.

## FALL HEIGHT IN FEET FROM WHICH A LIFE THREATENING HEAD INJURY WOULD NOT BE EXPECTED

TYPE OF MATERIAL	6" DEPTH	9" DEPTH	12" DEPTH
<b>Double Shredded Bark Mulch</b>	<b>6'</b>	<b>10'</b>	<b>11'</b>
<b>Wood Chips</b>	<b>6'</b>	<b>7'</b>	<b>12'</b>
<b>Fine Sand</b>	<b>5'</b>	<b>5'</b>	<b>9'</b>
<b>Fine Gravel</b>	<b>6'</b>	<b>7'</b>	<b>10'</b>

<sup>1</sup>This information has been extracted from the CPSC publications "Playground Surfacing—Technical Information Guide" and "Handbook for Public Playground Safety." Copies of these reports can be obtained by sending a postcard to the Office of Public Affairs, U.S. Consumer Product Safety Commission, Washington, D.C. 20207. Or call the toll-free hotline: 1-800-638-2772.

# WOODPLAY®

## 2016 WARRANTY

### 5 Year Warranty

Subject to proper installation and normal residential use, Woodplay warrants, subject to the limitations stated below, to the original retail purchaser, all chain, seats, swing hangers, hardware, metal braces, ropes and accessories to be free from defects in material and workmanship for a period of **five years** from date of purchase. Cracks in non-functional plastic components are not considered defects in materials and workmanship if they do not affect the functionality of the playset. Merchandise covered under this limited **five-year** warranty will, at our option, be repaired or replaced, excluding any freight or labor fees.

### 15 Year warranty

In addition, for **Fifteen years** after the original purchase date of our **Cedar** playsets, Woodplay warrants, to the original retail purchaser, all wooden components against structural failure due to corrosion, wood rot, or insect infestation. Seasonal checks, surface cracks, knotholes and knots, natural characteristics of all wooden play equipment, not resulting in structural failure, are not covered under this warranty. And will not affect the integrity of your playset.

### Limited Lifetime Warranty

In addition, for the **lifetime** of our **Redwood** playsets, Woodplay warrants, to the original retail purchaser, all wooden components against structural failure due to corrosion, wood rot, or insect infestation. Seasonal checks, surface cracks, knotholes and knots, natural characteristics of all wooden play equipment, not resulting in structural failure, are not covered under this warranty. And will not affect the integrity of your playset. Woodplay warrants to the original retail customer that we will replace any swing hangers, swing chains, metal braces, metal rungs or hardware that fail due to rust or breakage (excludes surface rust). This limited lifetime warranty also applies to our exclusive Super Slide, Hurricane Slide and Alpine Slide.

Timber is a natural material which can absorb and release moisture. Although this product is designed to minimize this effect, in certain circumstances some movement or distortion is unavoidable. During dry hot weather timber may shrink and check - this is a normal process of weathering. After the first year of service it is advisable to clean and apply a non-toxic stain or sealant to the wood, safe for children's use.

Components covered under this **5 year, 15 year** and limited **lifetime warranty** will be replaced free of charge excluding freight and labor fees.

Non-residential use of the playset is prohibited and voids the warranty as the playsets are designed for residential use only.

Escalade Sports reserves the right to examine photographs and/or physical evidence of merchandise claimed to be defective, and to recover said merchandise, prior to disposition of warranty claims. Merchandise returned to our factory for examination or recovery must be shipped freight prepaid, unless a Return Authorization Number is issued.

This warranty program does not cover normal wear and tear, color fading, or damages resulting from misuse, abuse, vandalism, alteration, acts of God, or assembly and maintenance contrary to our instructions. Escalade Sports assumes no responsibility for incidental or consequential damages which may arise from the purchase or use of our equipment. Please supervise your children's play activity and maintain your play equipment periodically.

This warranty is expressly in lieu of all other warranties, expressed or implied, including warranties of merchantability or fitness for use. Woodplay does not assume or authorize any person to assume for us, any other liability in connection with the sale of our products.

Special Note: Woodplay reserves the right to make changes in materials, design, and pricing without notice. See your instruction manual for maintenance requirements. Your child's safety is your responsibility; therefore, you should inspect this equipment regularly for wear and safety.

### **For warranty service, contact:**

**Woodplay Playsets  
Escalade Sports  
P.O. Box 889  
Evansville, IN 47706  
1-800-GO-SWING**

**Or E-Mail us at: [playgroundcs@escaladesports.com](mailto:playgroundcs@escaladesports.com)**

**Revised 2015**