

AXOR Universal Accessories

Shelf 12"

Finishes : **chrome** Part no. : **42838000**



Description

Features

- Glass, Metal
- Wall-mounted
- For rail mounting, requires 2x # 42870XXX (for asymmetric installation, only one set is needed)
- Mounting possible with toilet paper roll holder #42836000 (adaptor #42870000 necessary)
- Suitable for installation inside shower compartment

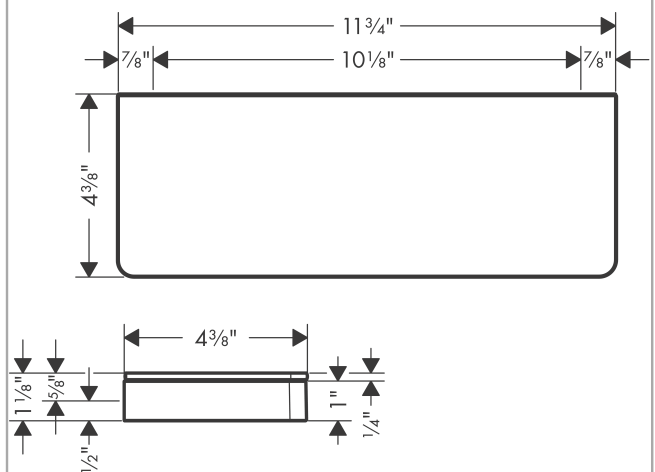
Design awards



Product image



Scale drawing



AXOR Universal Accessories

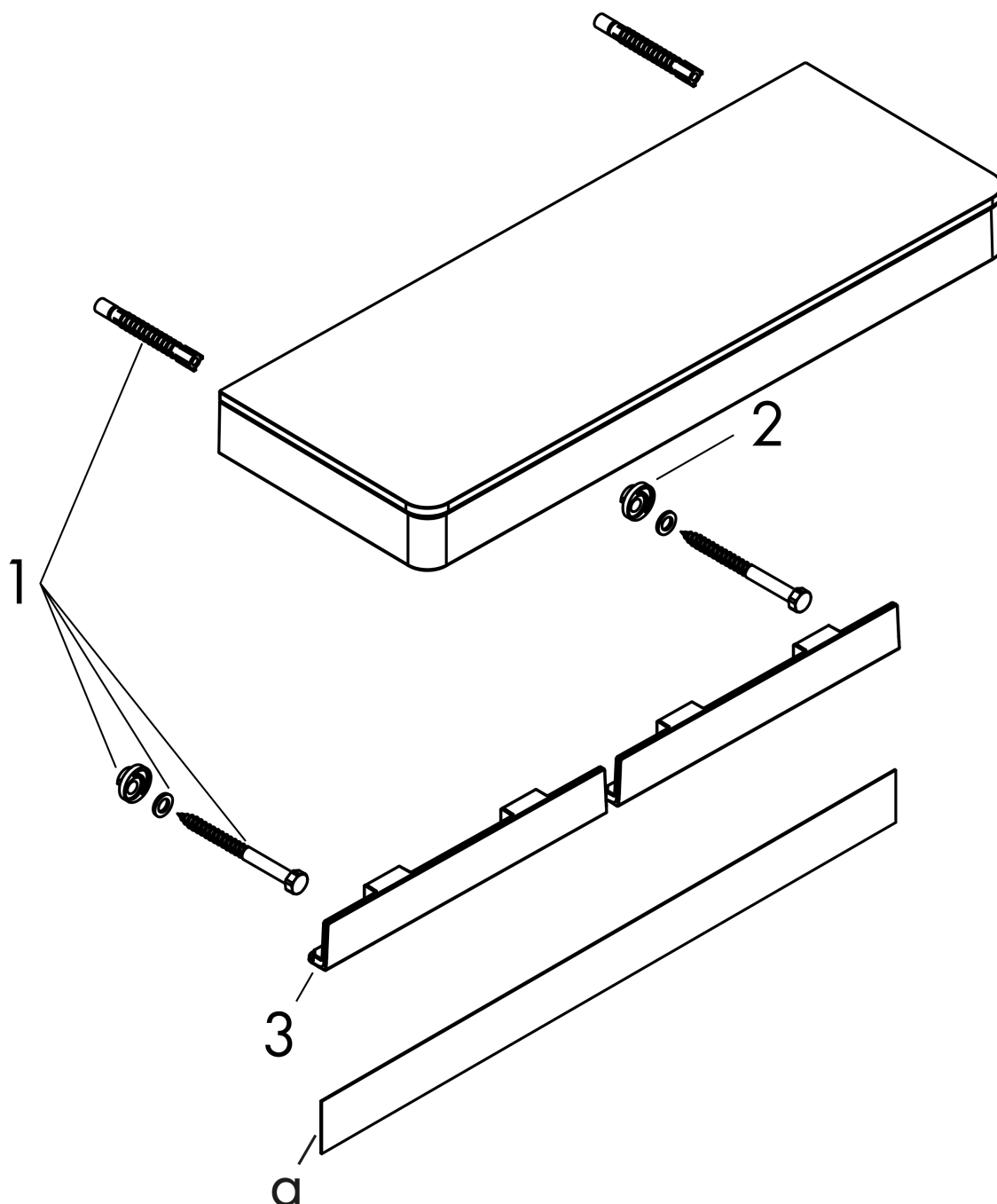
Shelf 12"

Finishes : **chrome** Part no. : **42838000**



Exploded drawing

Year of production: >11/14



AXOR Universal Accessories

Shelf 12"

Finishes : **chrome** Part no. : **42838000**



Spare parts list

Year of production: >11/14

Pos.	Description	Part no.	PC	PU
1	mounting set	92841000	0	1
2	excentric socket	97604000	0	1
3	cover	92427000	0	1
a	cover	42891000	0	1
b	set of adapters	42870000	0	1
c	mounting kit for two-sided glass montage	42841000	0	1