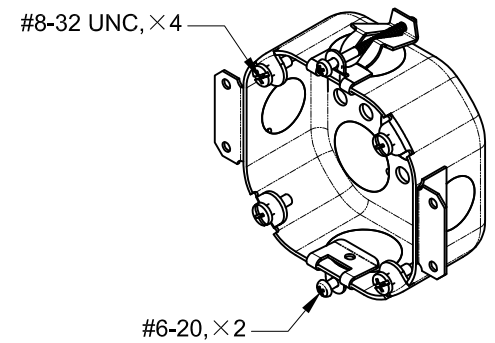
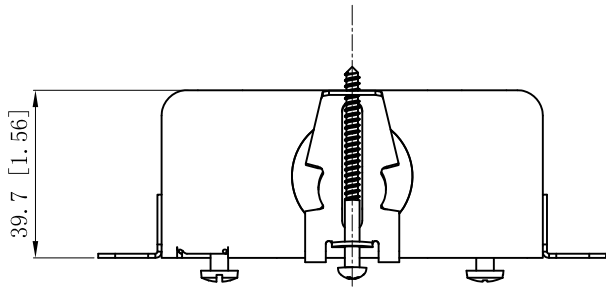
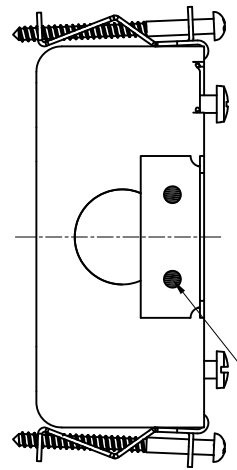


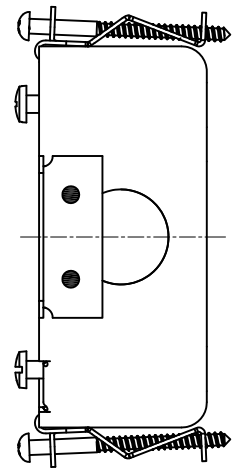
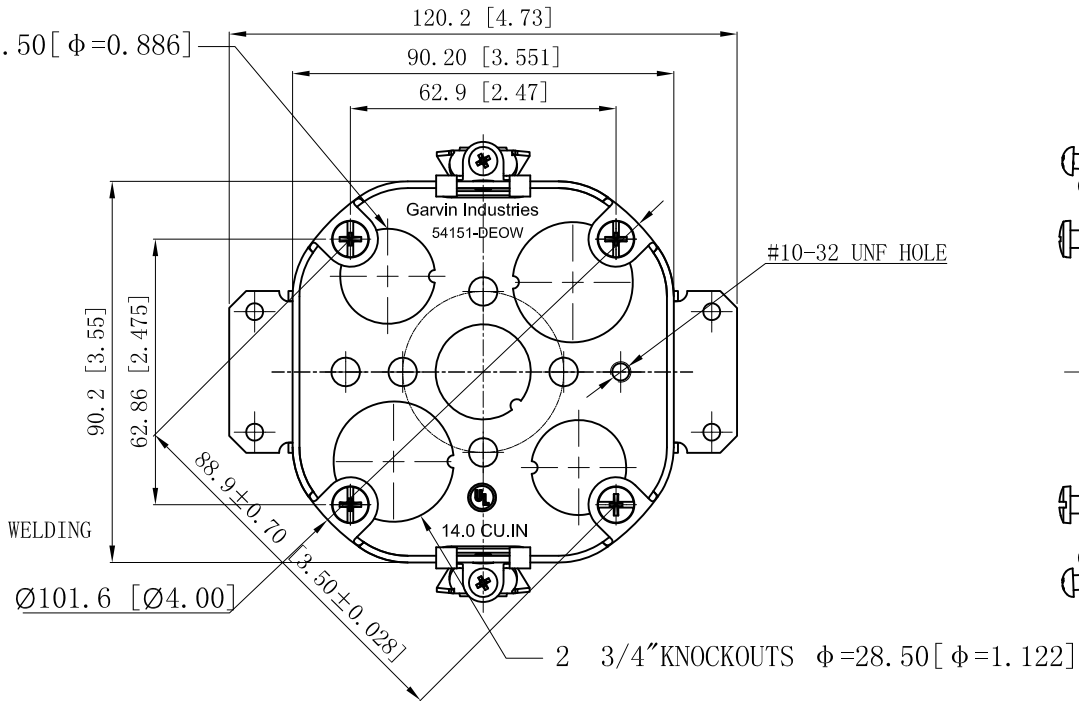
<b>SIDES</b>	<b>BOTTOM</b>
2 1/2" KNOCKOUTS	3 1/2" KNOCKOUTS
2 3/4" KNOCKOUTS	2 3/4" KNOCKOUTS
2 PCS #8-32x1/2 Screws Installed	
2 PCS #6-20x1-7/8 Screws Installed	
Material: Steel-0.0625"-G60 Galvanized	



3 1/2" KNOCKOUTS  $\phi = 22.50$  [ $\phi = 0.886$ ]



4 PLACES SPOT WELDING



This data sheet is for reference only. GARVIN INDUSTRIES reserves the right to make changes to the design without prior notice.

DESCRIPTION
TRADE REFERENCE TERMS

STANDARD PACKING
25 PCS

<b>GARVIN INDUSTRIES</b>		
4" OCTAGON BOXES 1-1/2" DEEP		
SIZE	DWG NO.	REV
A4	54151-DEOW	B
DATA SHEET		