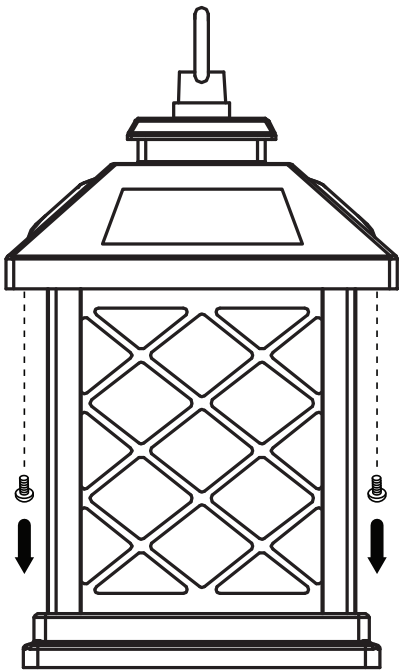
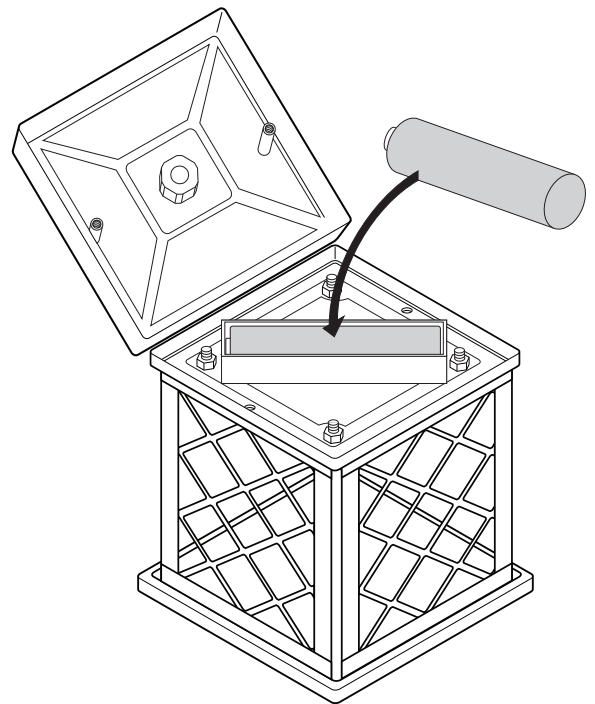


Battery Replacement

- 1 Remove the lid by unscrewing the lid screws using a Phillips head screwdriver.



- 2 Replace the current lithium-ion battery with a new lithium-ion 18650 1500mAh to 3400mAh 3.7V. Reattach the lid.



How to Operate

1 Press and hold the power button to turn on the fixture. The light only operates in a dark environment.

2 Selecting different modes:
When the light is on, continue to press the power button:

1x Fairy fade
1x Fairy fade + downlight
1x White twinkle
1x White twinkle
+ downlight

3a Transitioning between colors:
Double press the power button quickly to transition between Blue, Red, Green, Yellow, Turquoise, Purple, Light Blue

3b Selecting a Solid Color:
While colors are transitioning press the power button once (1x) to hold the color. Double press (2x) the power button to go back to the color transitions.

4 Go back to the original 4 modes (Step 2):
Press the power button three times quickly (3x) to go back to the original 4 modes.