

AXOR Citterio M
Thermostatic Trim HighFlow
Finishes : **brushed nickel** Part no. : **34714821**



Description

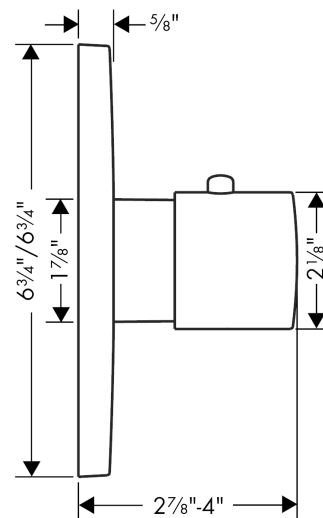
Features

- Flow: 13.0 GPM (49.2 L/Min)
- Thermostatic cartridge
- Anti-scald 100° safety stop

Product image



Scale drawing

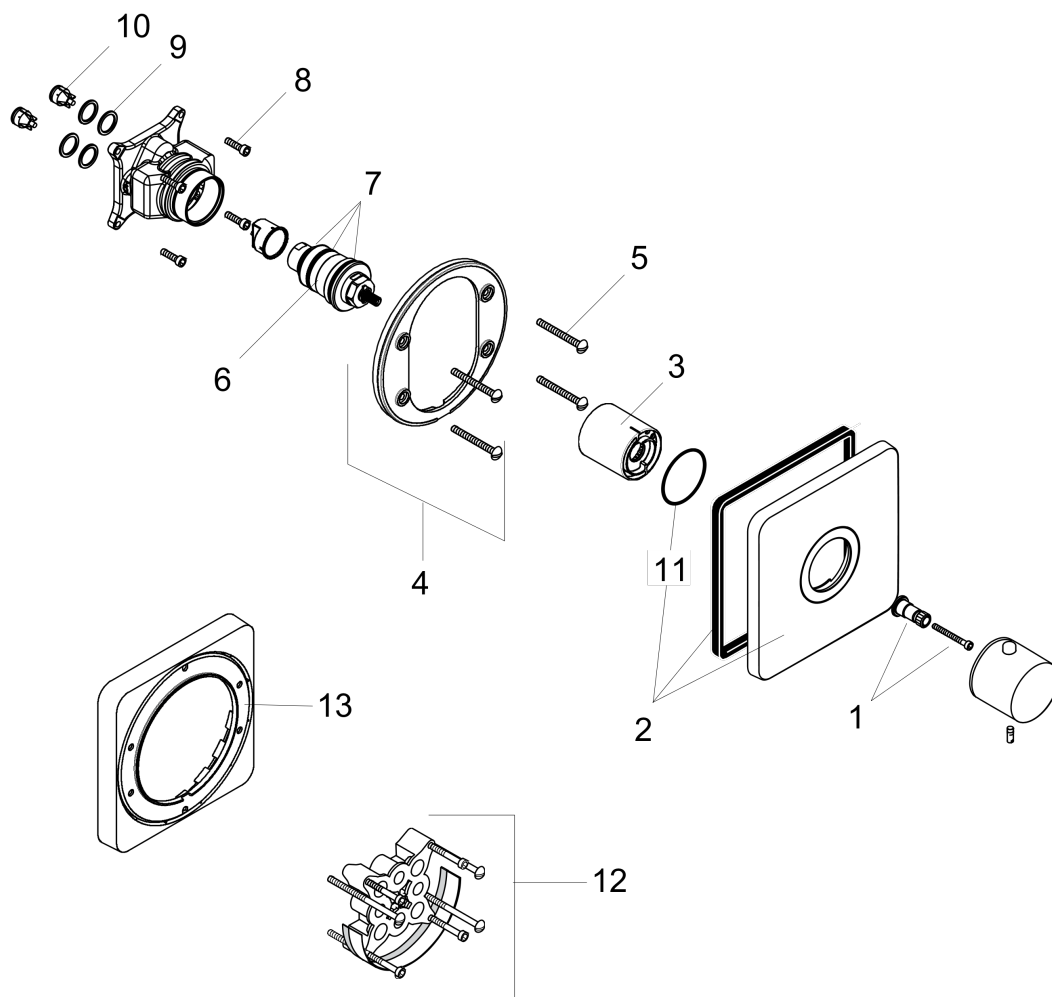


AXOR Citterio M
Thermostatic Trim HighFlow
Finishes : **brushed nickel** Part no. : **34714821**



Exploded drawing

Year of production: >06/09



AXOR Citterio M
Thermostatic Trim HighFlow
 Finishes : **brushed nickel** Part no. : **34714821**



Spare parts list

Year of production: >06/09

Pos.	Description	Part no.	PC	PU
1	adapter for handle	96435000	0	1
2	escutcheon 170 / 170 mm	98917820	0	1
3	sleeve	97439820	0	1
4	sub plate	96447000	0	1
5	set of fixing screws	96454000	0	1
6	thermostat cartridge	96633000	0	1
7	sealing set	96636000	0	1
8	set of screws	96525000	0	1
9	O-ring 16x2	98133000	0	1
10	set of non return valves DW 15	97350000	0	1
11	O-ring 48x5	98174000	0	1
12	extension 25 mm	13595000	0	1
13	extension 22 mm	98860820	0	1
a	handle for thermostat	38391821	0	1