

ORDER BY PART NUMBER

# ILLUSTRATED PARTS

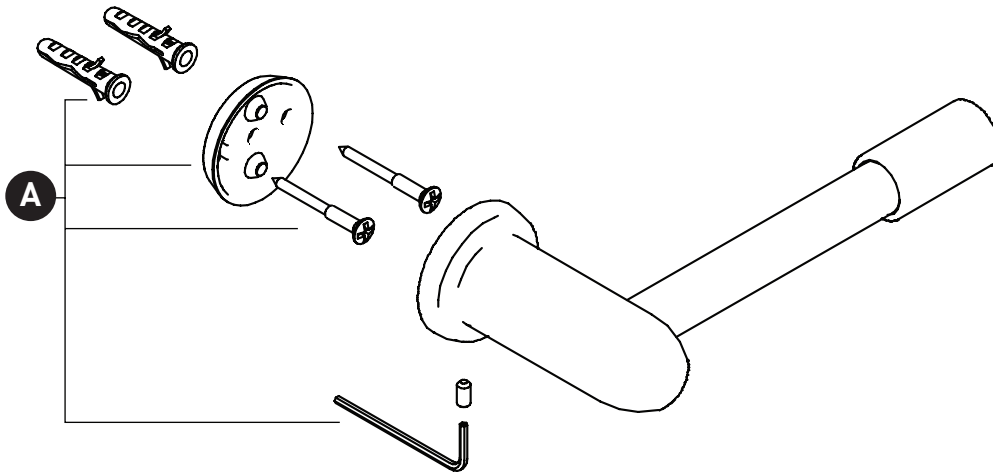
## U.6447

Holborn™ Toilet Paper Holder

ID	Kit Number	Finish
A	9.18545	N/A

**\*Finish Determined by Suffix**

Finish	Description
APC	Polished Chrome
EG	English Gold
PN	Polished Nickel
STN	Satin Nickel
ULB	Unlacquered Brass



**For warranty or additional information, contact:**

U.S.A.  
houseofrohl.com/support  
1-800-777-9762

QUEBEC / MARITIMES / WESTERN CANADA  
QUÉBEC / MARITIMES / OUEST CANADIEN  
QUEBEC / MARITIMOS / CANADA OCCIDENTAL  
houseofrohl.ca/support  
1-866-473-8442

ONTARIO  
houseofrohl.ca/support  
1-800-287-5354

**VEUILLEZ EFFECTUER VOTRE COMMANDE  
PAR NO DE RÉFÉRENCE**

# ILLUSTRATIONS DES PIÈCES

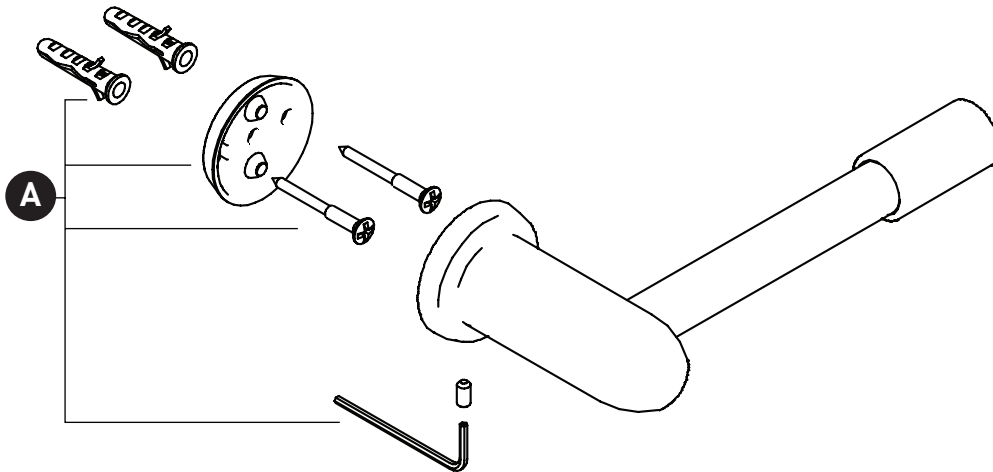
## U.6447

Porte-papier mural Holborn™

ID	Référence du kit	Finition
A	9.18545	N/A

**\*Finition déterminée par le Suffixe**

Finition	Description
APC	Laiton poli
EG	Or anglais
PN	Nickel poli
STN	Nickel satiné
ULB	Laiton non laqué



**For warranty or additional information, contact:**

U.S.A.  
houseofrohl.com/support  
1-800-777-9762

QUEBEC / MARITIMES / WESTERN CANADA  
QUÉBEC / MARITIMES / OUEST CANADIEN  
QUEBEC / MARITIMOS / CANADA OCCIDENTAL  
houseofrohl.ca/support  
1-866-473-8442

ONTARIO  
houseofrohl.ca/support  
1-800-287-5354

**PEDIR POR NÚMERO DE REFERENCIA**

# PIEZAS ILUSTRADAS

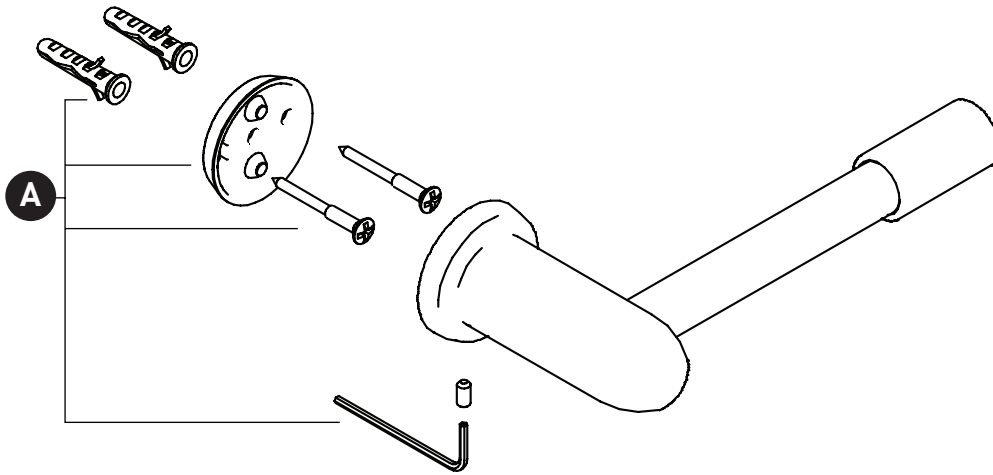
## U.6447

Portarrollos de papel Holborn™

ID	Referencia del kit	Acabado
A	9.18545	N/A

**\*Acabado determinado por el sufijo**

Finish	Description
APC	Cromo pulido
EG	Oro inglés
PN	Níquel pulido
STN	Níquel satinado
ULB	Latón sin lacar



**For warranty or additional information, contact:**

U.S.A.  
houseofrohl.com/support  
1-800-777-9762

QUEBEC / MARITIMES / WESTERN CANADA  
QUÉBEC / MARITIMES / OUEST CANADIEN  
QUEBEC / MARITIMOS / CANADA OCCIDENTAL  
houseofrohl.ca/support  
1-866-473-8442

ONTARIO  
houseofrohl.ca/support  
1-800-287-5354