

Job Name _____

Contractor _____

Job Location _____

Approval _____

Engineer _____

Contractor's P.O. No. _____

Approval _____

Representative _____

Series ACVW – 125

Cast Iron Silent Check Valves

Sizes: 2" – 10" (50 – 250mm)

Series ACVW-125 Cast Iron Silent Check Valves are designed to prevent water hammer effect. The conical spring design allows the closure disc to travel more distance than other valves of this style, allowing a greater flow coefficient (Cv). Series ACVW-125 can be installed in either the horizontal or vertical position.

Note: When installed in vertical pipe, flow direction in normal operation should open the disc, and inlet pressure should be greater than head pressure.

Features

- Conical spring design allows greater flow coefficient
- Can be installed in horizontal or vertical position

Specifications

Valve shall be manufactured of cast iron. Valve shall be pressure rated to 200 psi and have a conical spring design to allow for a greater flow coefficient. Valve shall be an Ames Fire & Water Series ACVW-125.

Pressure – Temperature

Maximum Working Pressure:

200 psi CWP to 150°F

Note: Not to be used in steam service

Materials

Body: Cast Iron, ASTM A126 Class B

Disc: Bronze, ASTM B62

Conical Spring: Stainless Steel, ASTM 302

Seat: Bronze, ASTM B62

Bushing: Bronze, ASTM B62

Set Screw: Stainless Steel, ASTM 304



ACVW-125

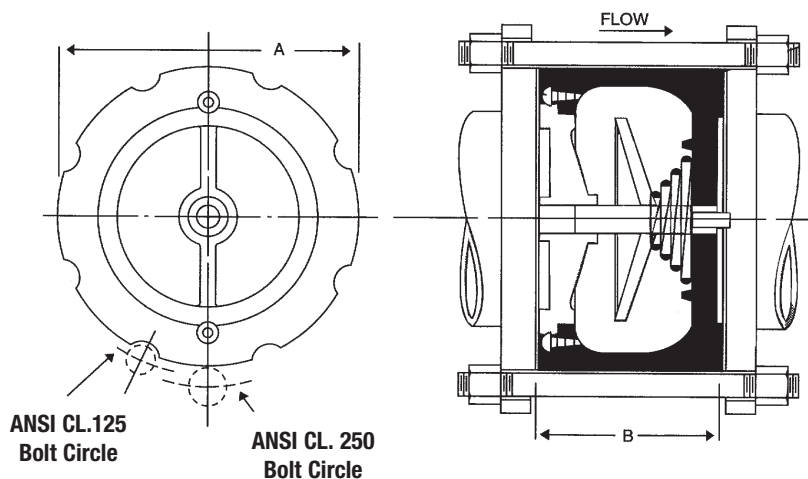
NOTICE

The information contained herein is not intended to replace the full product installation and safety information available or the experience of a trained product installer. You are required to thoroughly read all installation instructions and product safety information before beginning the installation of this product.

Ames Fire & Waterworks product specifications in U.S. customary units and metric are approximate and are provided for reference only. For precise measurements, please contact Ames Fire & Waterworks Technical Service. Ames Fire & Waterworks reserves the right to change or modify product design, construction, specifications, or materials without prior notice and without incurring any obligation to make such changes and modifications on Ames Fire & Waterworks products previously or subsequently sold.



Dimensions – Weights



Note: bolts and flanges not included.

SIZE		DIMENSIONS				CV	WEIGHTS	
<i>in.</i>	<i>mm</i>	A		B		Rating	<i>lbs.</i>	<i>kg.</i>
		<i>in.</i>	<i>mm</i>	<i>in.</i>	<i>mm</i>			
2	50	4¼	108	2⅝	67	50	5	2.3
2½	65	5	127	2⅞	73	72	7	3.2
3	80	5¾	146	3¼	83	92	11	5.0
4	100	7	178	4	102	180	18	8.2
5	125	8⅝	213	4⅝	117	276	25	11.3
6	150	9¾	248	6½	165	408	36	16.3
8	200	13⅝	340	6½	165	720	80	36.2
10	250	16	406	8½	216	1080	129	58.6

IMPORTANT: Inquire with governing authorities for local installation requirements.



A WATTS Brand

USA: Backflow Tel: (978) 689-6066 • Fax: (978) 975-8350 • AmesFireWater.com
USA: Control Valves Tel: (713) 943-0688 • Fax: (713) 944-9445 • AmesFireWater.com
Canada: Tel: (905) 332-4090 • Fax: (905) 332-7068 • AmesFireWater.ca
Latin America: Tel: (52) 81-1001-8600 • AmesFireWater.com