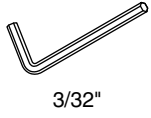
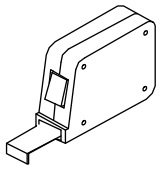
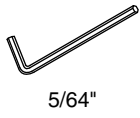


KALLISTA®

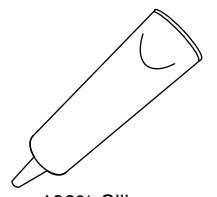
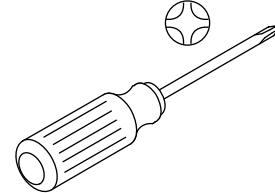
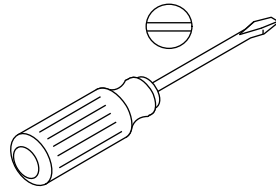
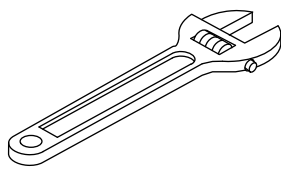
Installation Guide



3/32"



5/64"

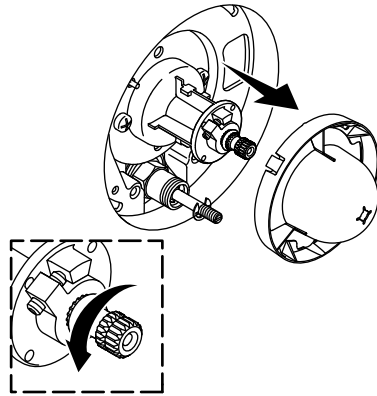


100% Silicone Sealant

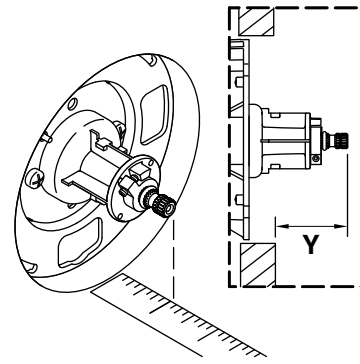
⚠ WARNING: Risk of scalding. High water temperature can cause severe burns. Set the water temperature at or below 120°F (49°C) following the adjustment procedure in the valve Installation and Care Guide.

Record your model number below for future reference: Observe all local plumbing and building codes.

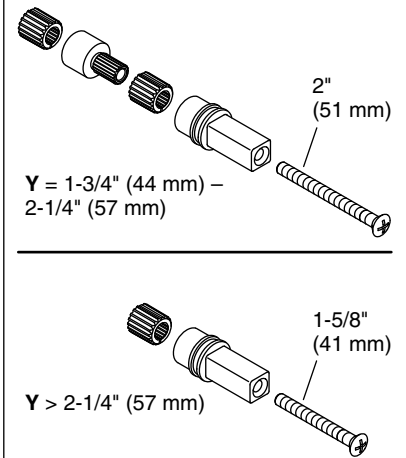
1 Remove the plaster guard. Rotate the valve stem closed.



2 Measure "Y" from the finished wall.



3 Use parts according to dimension "Y."



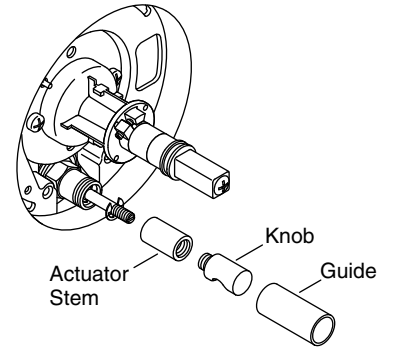
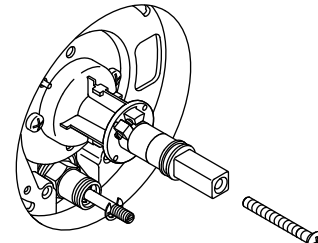
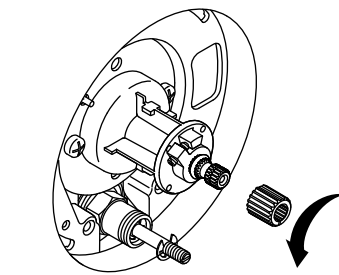
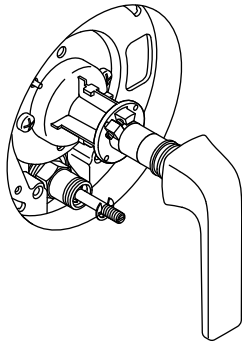
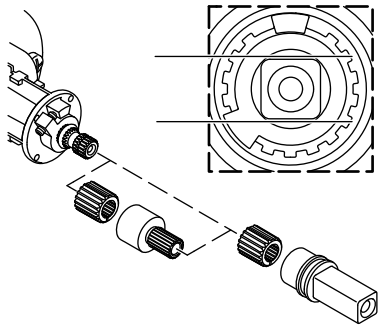
4 Install the correct parts according to "Y." Verify level.

5 Dry fit the handle to confirm vertical alignment.

6 To adjust handle position, rotate the adapter one tooth. Repeat until aligned.

7 Install the correct screw according to dimension "Y."

8 Hold the diverter stem and install the actuator stem. Thread the knob onto the actuator stem. Thread the guide onto the diverter housing.



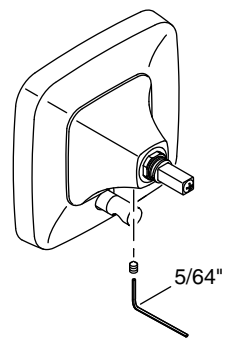
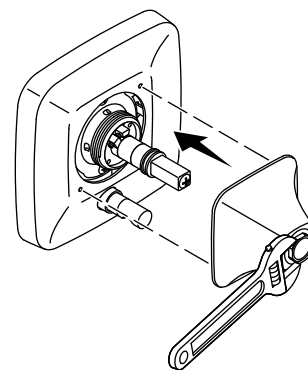
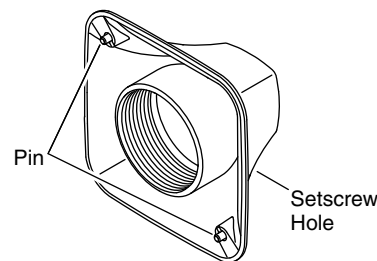
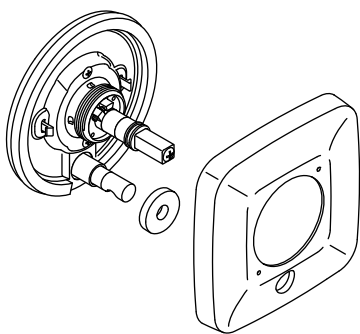
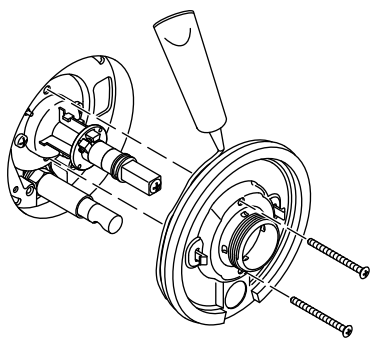
9 For installation to a tiled wall, apply 100% silicone sealant to the back edge of the seal plate. Slide the seal plate onto the valve and secure. Do not overtighten.

10 Install the foam gasket over the guide and fit the faceplate over the seal plate.

11 Align the pins with the holes on the faceplate. Orient setscrew hole down.

12 Thread the bonnet onto the valve. Securely tighten.

13 Tighten the setscrew.



14 Position the bearing on the bonnet, curved side out.

15 Point the handle down and slide onto the stem.

16 If the handle contacts the bonnet, remove the bearing and install a spacer. Reinstall the bearing.

17 Secure the handle with the setscrew.

18 Install the plug in the setscrew hole.

