

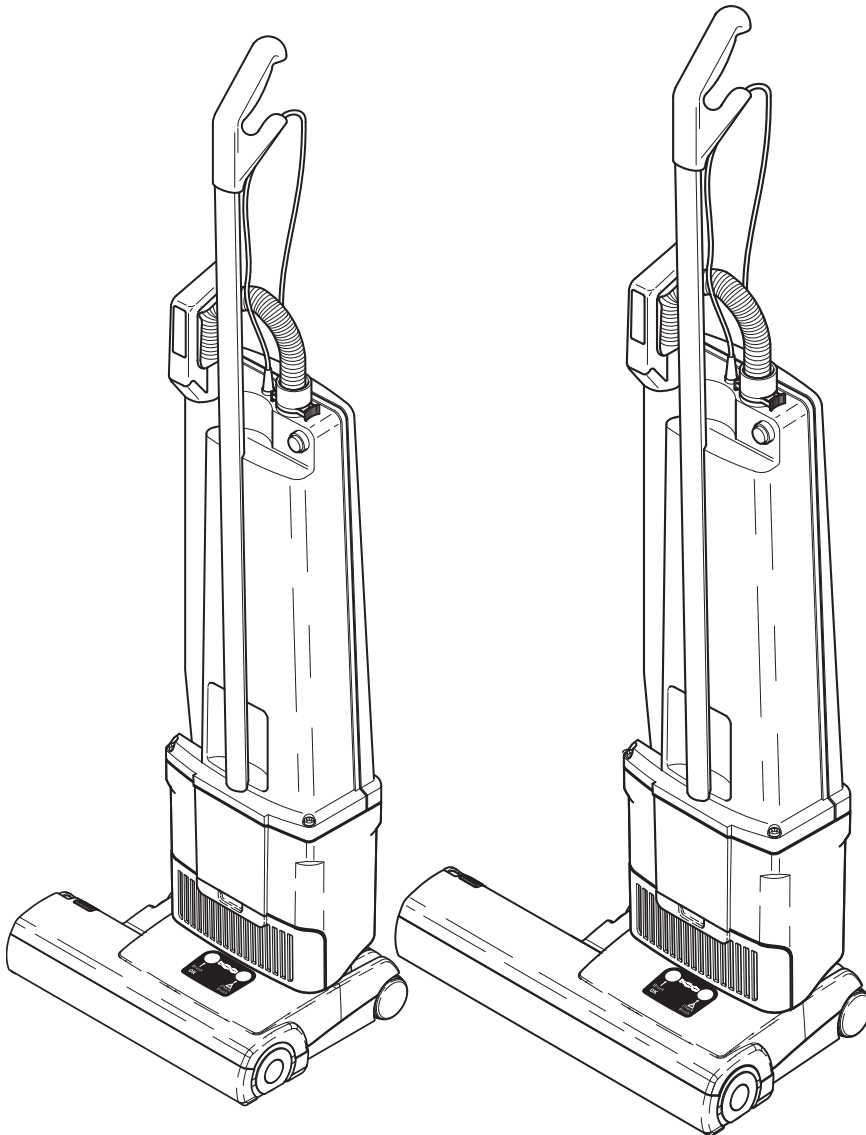


by HILLYARD

Vacuum
HIL 56082 / HIL 56083
Operating Instructions (ENG)

MODEL: 1.012-604.0
V14D

1.012-605.0
V18D



Machine Data Label

Model:	_____
Date of Purchase:	_____
Serial Number:	_____
Dealer:	_____
Address:	_____
Phone Number:	_____
Sales Representative:	_____

Warranty Registration

Thank you for purchasing a HILLYARD product.

Please register your machine for warranty through your Authorized Trident Dealer

Machine Data Label 2
Table of Contents 3
How To Use This Manual 4

Safety

IMPORTANT SAFETY INSTRUCTIONS 5
GROUNDING INSTRUCTIONS 6
IMPORTANT SAFEGUARDS 7

Operations

Components 8
Assembling The Vacuum Cleaner 8
Attaching Suction Hose 8
Swivel Neck Latch 9
Switch on the electric power head 9
Brush Controller 9
Filter Level Indicator 9

Maintenance

Changing The Paper Bag 10
Changing filters 10
Silencer 10
Clearing Blockages 11
Changing The Brush Strip 11
Removing the Switch Housing Cover 12
Removing The Dust Bag Housing 12
Replacing The Vacuum Motor 13
Changing The Brush Roller 13
Removing The Brush Roller Pulley 13
Removing The Swivel Neck 14
Removing The Swivel Neck Cover 14
Changing The Electronic Controller 14
Replacing the Foot Pedal 15
Troubleshooting 16
Technical Data V14D (V18D) 16

Spare Parts List

Tools, Bags & Filters 18
Upper Housing 20
Power Head-V14D 22
Power Head-V18D 24
Wiring Diagram 26

How To Use This Manual

This manual contains the following sections:

- How to Use This Manual
- Safety
- Operations
- Maintenance
- Parts List

The HOW TO USE THIS MANUAL section will tell you how to find important information for ordering correct repair parts.

Parts may be ordered from authorized dealers. When placing an order for parts, the machine model and machine serial number are important. Refer to the MACHINE DATA box which is filled out during the installation of your machine. The MACHINE DATA box is located on the inside of the front cover of this manual.

Model: _____
Date of Purchase: _____
Serial Number: _____
Dealer: _____
Address: _____
Phone Number: _____
Sales Representative: _____

The model and serial number of your machine is located on the bottom-back of the machine.

The SAFETY section contains important information regarding hazardous or unsafe practices of the machine. Levels of hazards are identified that could result in product damage, personal injury, or severe injury resulting in death.

The OPERATIONS section is to familiarize the operator with the operation and function of the machine.

The MAINTENANCE section contains preventive maintenance to keep the machine and its components in good working condition. They are listed in this general order:

- Dust Bag
- Filters
- Blockage
- Brush strips
- Troubleshooting

The PARTS LIST section contains assembled parts illustrations and corresponding parts list. The parts lists include a number of columns of information:

- **ITEM** – column refers to the reference number on the parts illustration.
- **PART NO.** – column lists the part number for the part.
- **REF NO.** – reference number.
- **DESCRIPTION** – column is a brief description of the part.
- **NOTES** – column for information not noted by the other columns.

NOTE: If a service or option kit is installed on your machine, be sure to keep the KIT INSTRUCTIONS which came with the kit. It contains replacement parts numbers needed for ordering future parts.

NOTE: The manual part number is located on the lower right corner of the front cover.

IMPORTANT SAFETY INSTRUCTIONS

**When using this machine, basic precaution must always be followed, including the following:
READ ALL INSTRUCTIONS BEFORE USING THIS MACHINE.**

⚠ WARNING: To reduce the risk of fire, electric shock, or injury:

1. Do not leave appliance when plugged in. Unplug from outlet when not in use and before servicing.
2. Connect to a properly grounded outlet only. See Grounding Instructions.
3. Do not use outdoors or on wet surfaces.
4. Do not use near small children. Do not allow to be used as a toy. Close attention is necessary when used by or near children.
5. Use only as described in this manual. Use only manufacturer's recommended attachments.
6. Do not use with damaged cord or plug. If appliance is not working as it should, has been dropped, damaged, left outdoors, or dropped into water, return it to a service center.
7. Do not pull or carry by the cord, use cord as a handle, close a door on cord, or pull cord around sharp edges or corners. Do not run appliance over cord. Keep cord away from heated surfaces.
8. Do not unplug by pulling on cord. To unplug, grasp the plug, not the cord.
9. Do not handle plug or appliance with wet hands.
10. Do not put any object into openings. Do not use with any opening blocked; keep free of dust, lint, hair, and anything that may reduce air flow.
11. Keep hair, loose clothing, fingers and all parts of body away from openings and moving parts. Do not place fingers or other body parts under vacuum unless unplugged.
12. Do not pick up anything that is burning or smoking, such as cigarettes, matches, or hot ashes.
13. Do not use without dust bag and/or filters in place. Do not wash filters.
14. Turn off all controls before unplugging.
15. Use extra care when cleaning on stairs.
16. Do not use to pick up flammable or combustible liquids such as gasoline or use in areas where they may have been present.
17. Do not operate this machine near flammable fluids, dust or vapors.
18. Maintenance and repairs must be done by qualified personnel.
19. Use only identical replacement parts. See instructions for Servicing of Appliances.
20. Do not use machine as a step.
21. If used on plush carpet or carpet with thick padding, do not leave machine in one place with machine turned on.
22. Do not use the handle in the dust bag housing to carry the machine.
23. Always turn off this appliance before connecting or disconnecting motorized nozzle.
24. Brush may unexpectedly restart. To reduce the risk of injury from moving parts. – Unplug before servicing.
25. The vacuum has a manual reset thermal protector. The protector is reset by switching off the vacuum. The thermal protector needs some time to cool down after switching off! Check the vacuum for air blockages or mechanical failures before switching on.
26. Store the vacuum in a dry place at room temperature. When the vacuum is not in use, you should wrap the cord on the cable hooks.
27. Any other servicing should be performed by an authorized service representative.
28. Make sure your extension cord is in good condition and is the correct size for your appliance. The table on the Grounding Instructions page shows the correct size to use depending on cord length and nameplate ampere rating. If in doubt, use the next heavier gauge. The smaller the gauge number, the heavier the cord. An undersized extension cord will cause a drop in line voltage resulting in loss of power and overheating.
29. Use only three-wire outdoor extension cords that have three-prong grounding plugs and grounding receptacles that accept the appliance's plug.
30. **⚠ WARNING:** To reduce the risk of personal injury due to a loose electrical connection between the appliance's plug and extension cord, firmly and fully attach the appliance plug to the extension cord. Periodically check the connection while operating to ensure it is fully attached. Do not use an extension cord that provides a loose connection. A loose connection may result in overheating, fire, and increases the risk of a burning.
31. To reduce the risk of disconnection of the appliance cord from the extension cord during operating, make a knot as shown under Grounding Instructions.
32. Maintain Appliance With Care - Inspect extension cords periodically and replace if damaged.

READ AND SAVE THESE INSTRUCTIONS

GROUNDING INSTRUCTIONS

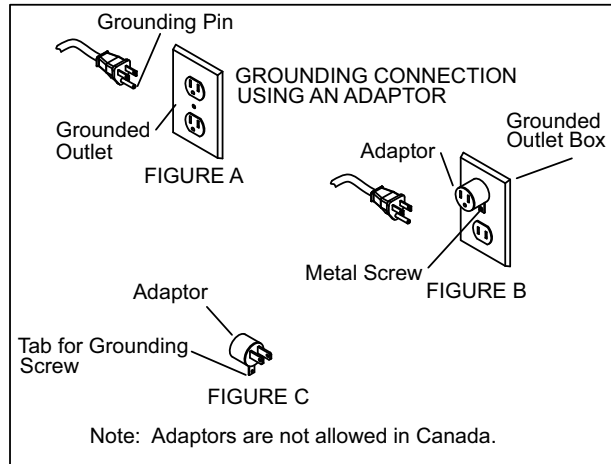
This appliance must be grounded. If it should malfunction or breakdown, grounding provides a path of least resistance for electric current to reduce the risk of electric shock. This appliance is equipped with a cord having an equipment-grounding conductor and grounding plug. The plug must be inserted into an appropriate outlet that is properly installed and grounded in accordance with all local codes and ordinances.

! WARNING:

Improper connection of the equipment-grounding conductor can result in a risk of electric shock. Check with a qualified electrician or service person if you are in doubt as to whether the outlet is properly grounded. Do not modify the plug provided with the appliance - if it will not fit the outlet, have a proper outlet installed by a qualified electrician.

This appliance is for use on a nominal 120-volt circuit, and has a grounded plug that looks like the plug illustrated in sketch A. A temporary adapter looks like adapter illustrated in sketches B and C, may be used it connect this plug to a 2-pole receptacle as shown in sketch B if a properly grounded outlet is not available. The temporary adapter should be used only until a properly grounded outlet (sketch A) can be installed by a qualified electrician. The green colored rigid ear, lug or the like extending from the adapter must be

connected to a permanent ground such as a properly grounded outlet box cover. Whenever the adapter is used, it must be held in place by a metal screw.



NOTE: In Canada, the use of a temporary adapter is not permitted by the Canadian Electrical Code.

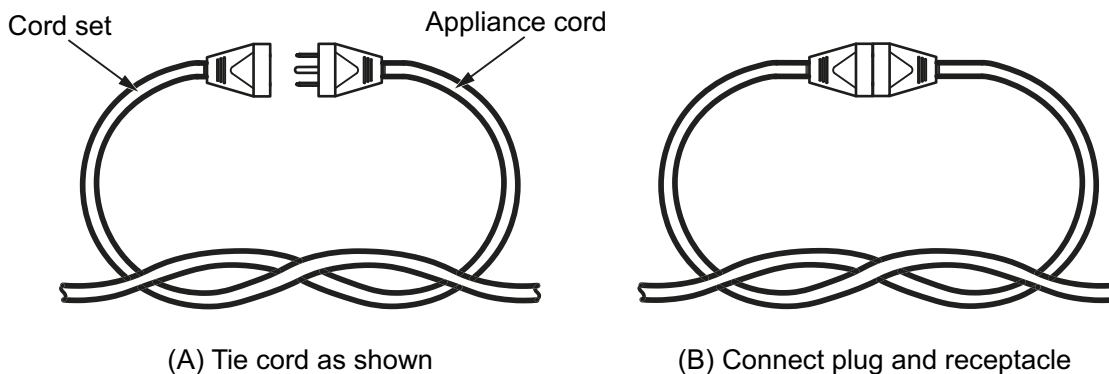
Electrical

In the USA this machine operates on a standard 15 amp 115 volt A.C. power circuit. The amp, hertz, and voltage are listed on the data label found on each machine. Using voltages above or below those indicated on the data label will cause serious damage to the motors

Extension Cords

If an extension cord is used, the wire size must be according to the table, and must be limited to 50 feet (15.5m) in length.

Figure 1: Method of securing the appliance cord to the extension cord set



Extension cords ratings and measures					
Ampere rating		Volts	Total length of cord		
More than A	Not More than A		7.62m (25ft)	15,24m (60ft)	30,48m (100ft)
			mm ² (AWG)		
10	12	120 V	0.83 (18)	1.3 (16)	2.1 (14)

IMPORTANT SAFEGUARDS

Accidents due to misuse can only be prevented by those using the machine. To guard against injury, basic safety precautions should be observed, including the following:

Read and follow all safety instructions.

⚠ WARNING: Electric shock could occur if used outdoors or on wet surfaces.

The vacuum cleaner is designed to be safe when used to perform cleaning functions. Should damage occur to electrical or mechanical parts, cleaner should be repaired by a competent service center before using in order to avoid further damage to machine or physical injury to user.

A damaged power cord could cause electrical shock and/or fire. To minimize this possibility observe the following precautions:

- ◆ Do not run cleaner over power cord.
- ◆ Avoid closing doors on power cord pulling it around sharp edges, or placing sharp-edged objects upon it.
- ◆ Wind cord no tighter than is necessary to retain it on the cord hooks.
- ◆ When disconnecting power cord from electrical outlet, grasp the plug. Pulling it out by the cord itself can damage cord insulation and internal connections to plug.

Your vacuum cleaner creates suction and contains a revolving brush. To avoid bodily injury from suction or moving parts, vacuum cleaner brush should not be placed against, or in close proximity of loose clothing, jewelry, hair or body surfaces while cleaner is connected to electrical outlet. Cleaner should not be used to vacuum clothing while it is being worn. Keep children away from machine when in operation or plugged in.

If used on plus carpet or carpet with thick padding, turn off unit when handle is in upright position. When using accessory tools, keep floor bush off carpet by keeping handle in locked position and lowering handle with on hand to raise bush off floor. Operate accessories with other hand.

Always plug your cleaner into a standard wall outlet. Use of extension cord or light socket with inadequate current-carry capacity could result in electric shock or fire hazard.

Disconnect cleaner from electrical outlet before servicing, such as changing bags or belts. You could receive bodily injury from moving parts of machine should switch accidentally turned on. Disconnect cleaner from electrical outlet before detaching power head.

Do not use your vacuum cleaner in areas where flammable and/or explosive vapor or dust is present to avoid possibility of fire or explosion. Some cleaning fluids can produce such vapors. Areas on which cleaning fluids have been used should be completely dry and thoroughly aired before being vacuumed.

To avoid fire hazard, do not pick up matches, fireplace ashes, or smoking material with cleaner.

Keep your work area well lighted to avoid picking up harmful materials (such as liquids, sharp objects, or burning substances) and avoid tripping accidents.

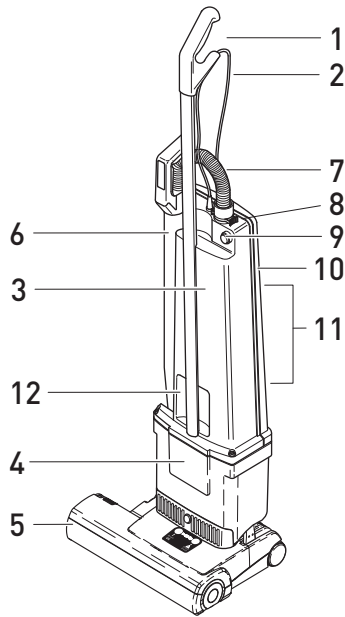
Use care when operating the cleaner on irregular surfaces such as stairs, as falling cleaner could cause bodily injury and/or mechanical damage. Proper storage of machine in an out-of-way area immediately after use will also prevent accidents caused by tripping over cleaner.

Store your vacuum indoors in a cool, dry area not exposed to the weather to avoid electrical shock and/or cleaner damage.

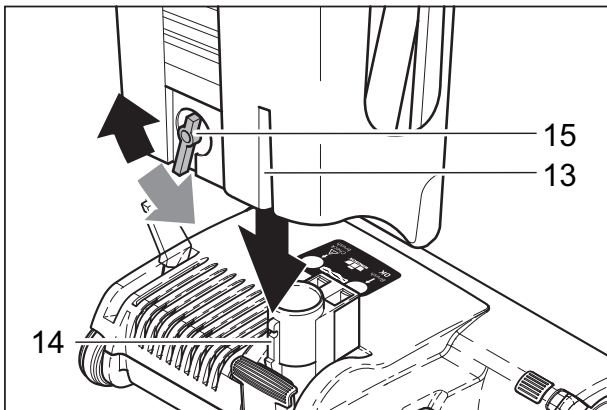
Exercise strict supervision to prevent injury when using vacuum cleaner near children or when child is allowed to operate vacuum cleaner. Do not allow children to play with vacuum cleaner and never leave cleaner plugged in and unattended.

SAVE THESE INSTRUCTIONS

Components

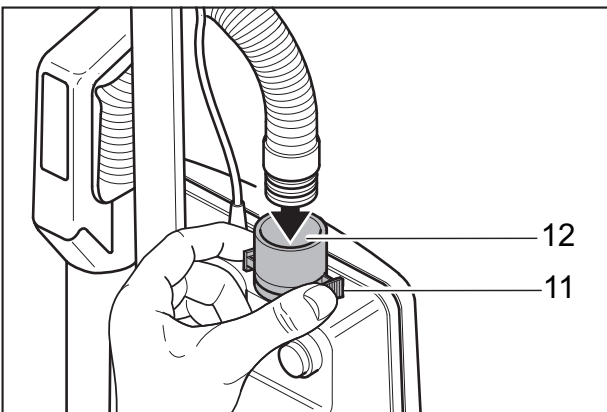


1. Handle Grip
2. Cable
3. Dust Bag Housing
4. Vacuum Motor Housing
5. Power Head
6. Telescopic Tube
7. Hose
8. Retaining Ring
9. On/Off Switch
10. Back Cover
11. Cable Hook
12. Carrying Recess



Assembling The Vacuum Cleaner

Hold the vacuum motor housing in the vertical position and insert into the power head. Locate the line (13) on the motor housing accurately opposite the rib on the swivel neck (14). The locking catch (15) must be turned to the left during the locating. Secure the vacuum section in place by turning the locking catch to the vertical position.



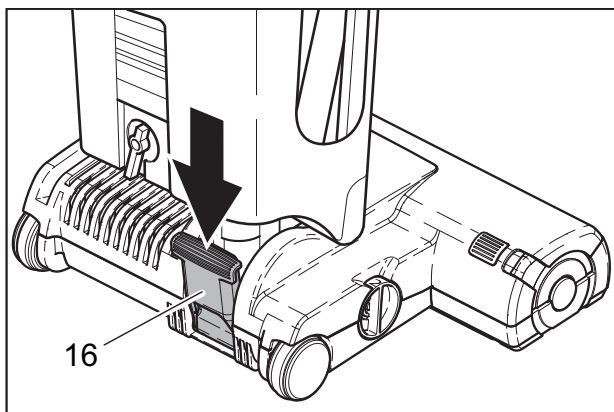
Attaching Suction Hose

Push the black end of the hose into the connecting tube (12) so that it clicks into place.

To disconnect the hose, press the sides of the retaining ring (11) and pull the hose out of tube.

Swivel Neck Latch

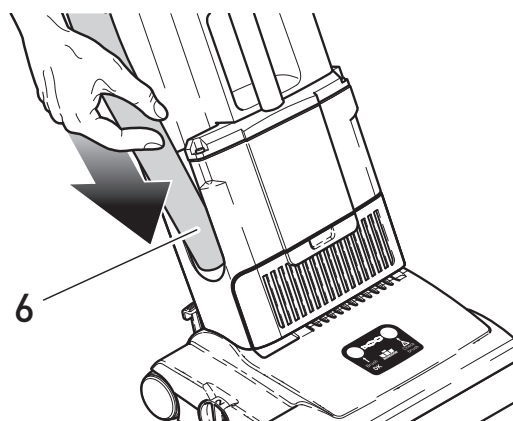
To release the machine from the upright position depress the foot pedal (16).



Switch on the electric power head

The power head motor starts automatically when the mains switch (9) is switched on and machine is tilted back after release of swivel neck latch (16). For safety please always set machine upright and have swivel neck latch locked when using telescopic tube.

Some versions of the vacuum stop the power head automatically when the telescopic tube (6) is withdrawn and restart when it is reinserted correctly. If power head does not start, check if the telescopic tube is fully inserted.



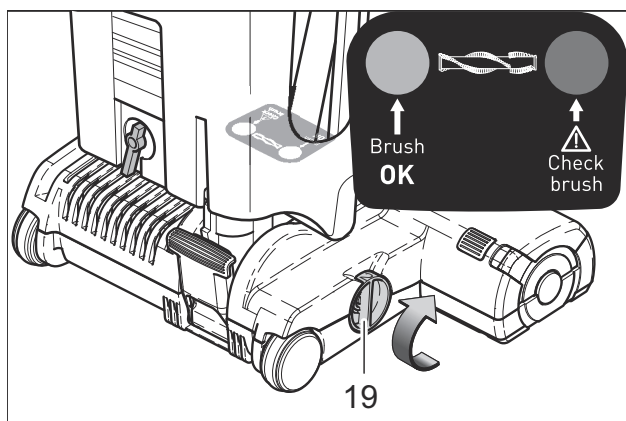
Brush Controller

The electronic brush controller monitors the operation of the brush.

Green light: Brush correctly set and running.

Green light and red: Adjust the brush setting by turning the pile adjustment knob (19) to a lower number.

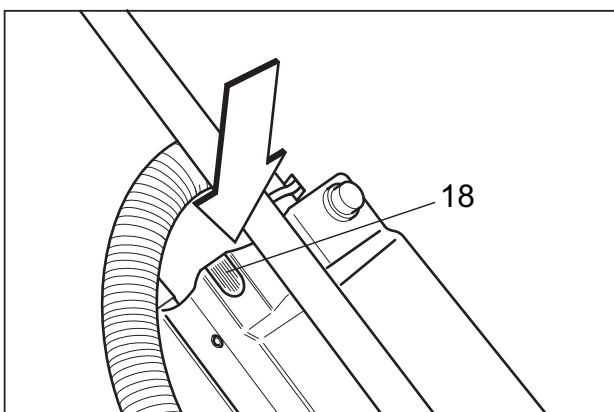
Red blinking light: The brush has become blocked and is not turning. Switch off. Unplug from the outlet and clear the blockage.

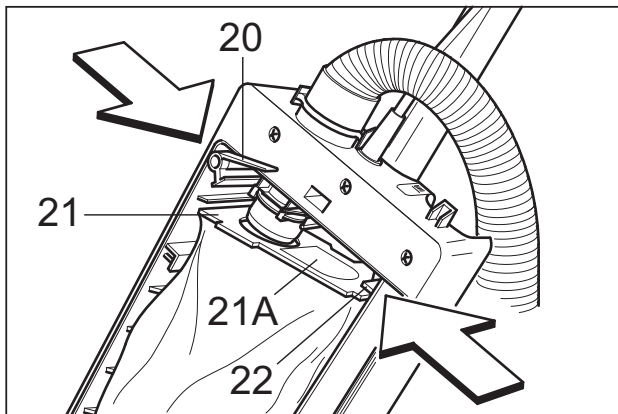


Filter Level Indicator

If warning light (18) comes on check:

- Is the dust bag full?
- Is there a blockage in the hose or power head?



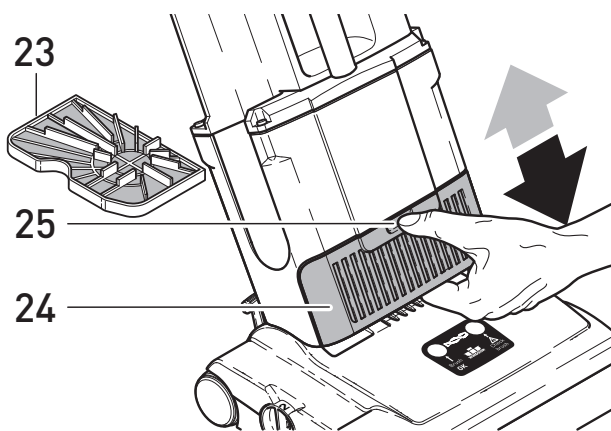


! WARNING:

Unplug machine from electrical outlet before doing any maintenance.

Changing The Paper Bag

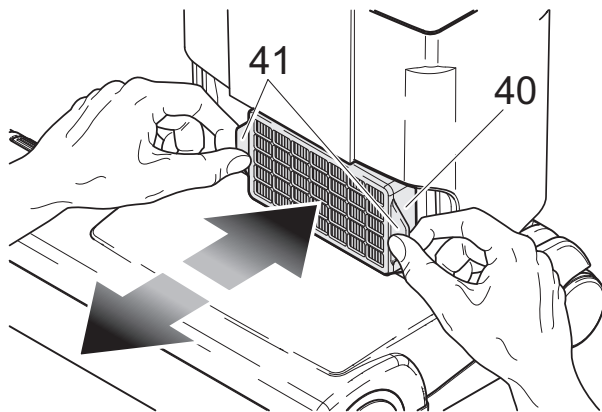
To change the dust bag: Remove back cover. Push down lever (20). Lower dust bag from connecting tube. Close aperture of dust bag top with cardboard cover (21 A). To fit new dust bag: Insert top of dust bag (21) into slot (22). Push lever (20) down and fit aperture of dust bag top over connecting tube. Return lever so that it is in horizontal position.



Changing filters

Vacuum motor filter (23) - Clean off surface dust by removing from machine and tapping, replace after app. 20 paper bags have been used. Exhaust filter (24) - Change when it becomes dirty. Remove the exhaust filter cover by pressing into the recess and moving the cover downwards. Remove exhaust filter (40) using the two handles (41) and install replacement part. Place the cover on the filter housing and move it upwards until the latch engages. Do not wash filters.

NOTE: Hospital grade filters are available.

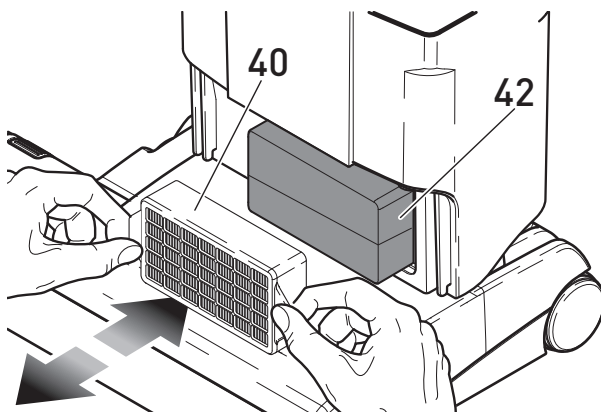


Silencer

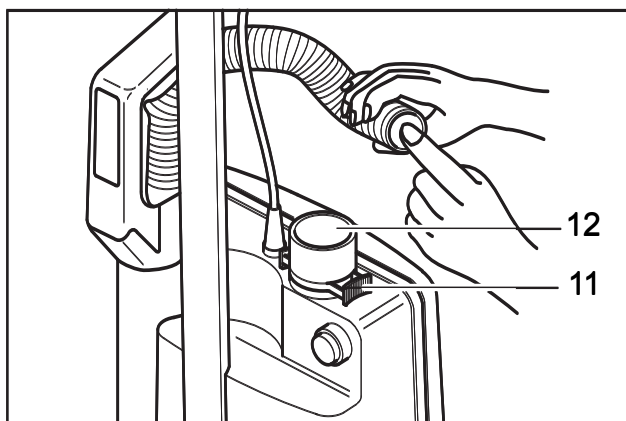
The silencer (42) is located behind the exhaust filter (40) and does not need to be cleaned or replaced during normal operation. If due to special conditions, it seems appropriate to clean the silencer, please use the following procedure: Remove the exhaust filter (40) and pull out the silencer (42). Tapping should be sufficient for cleaning.

Afterwards push the silencer - with the beveled side to the left - back into machine and re-fit the exhaust filter.

The silencer consists of two parts due to production requirements.

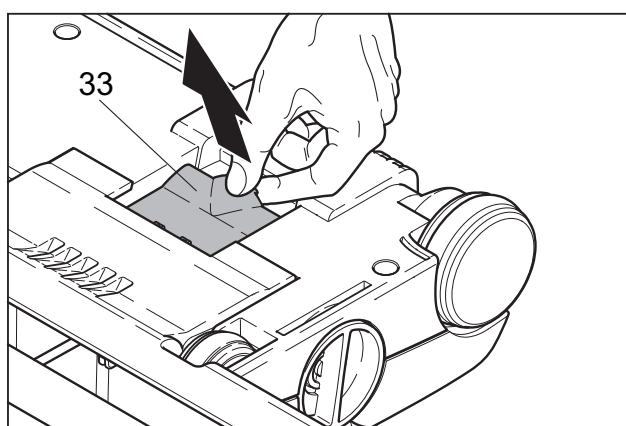


Clearing Blockages



If the bag-full warning light shows before the dust bag is full, check for blockages. Release the hose by squeezing the tabs of the retaining ring (11). Reverse the hose and put the wand-end into the connecting tube (12). Remove the obstruction by switching on the machine, holding the hose upright. If necessary rapidly lift your hand on and off the end of the hose.

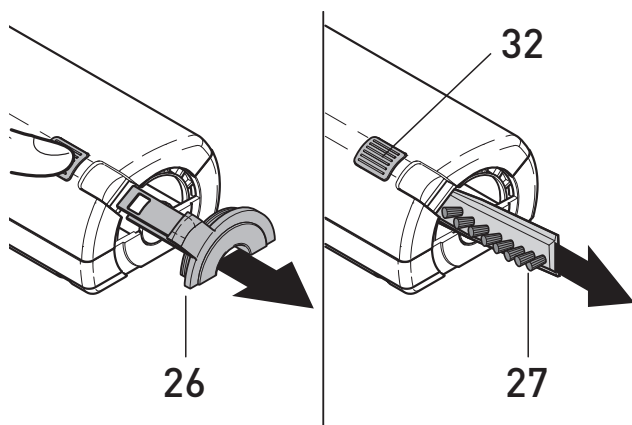
NOTE: Never use a stick or sharp object to clear the hose.



Check for blockage in the swivel neck of the power head and under the orange trap door (33) located on the bottom of the power head.

Check the passage between the two openings in the power head for blockage also.

Changing The Brush Strip

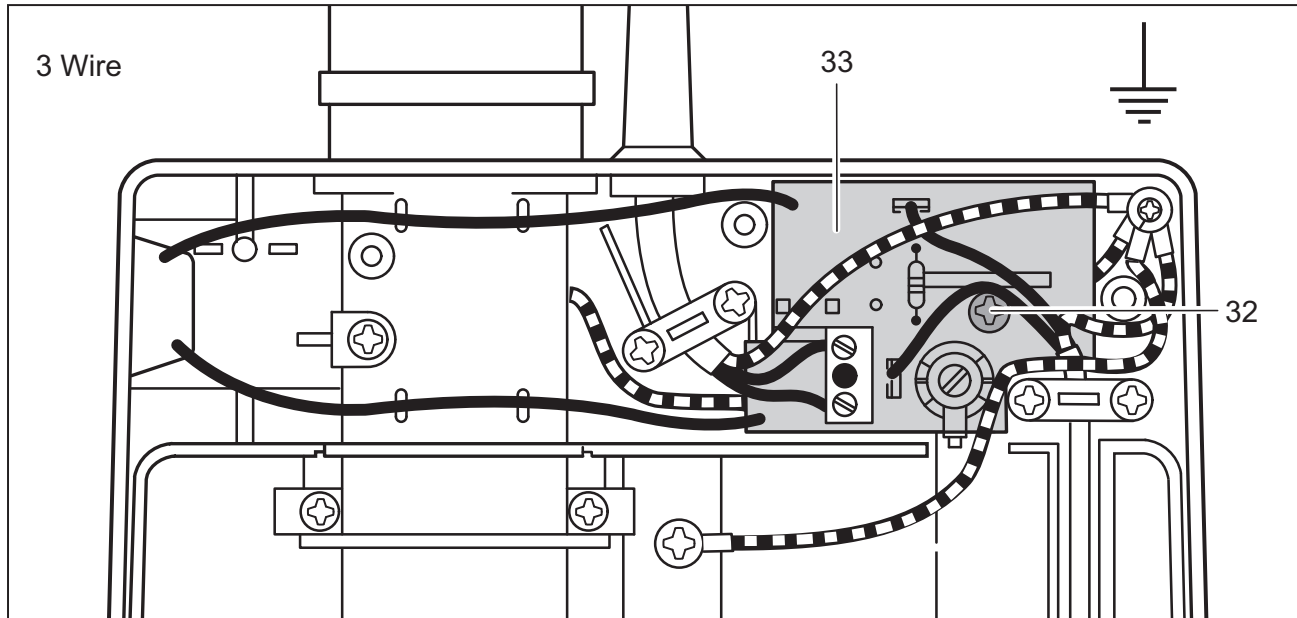


To replace brush strip, push button (32), remove the side plate (26) and rotate the brush so that the brush strip (27) can be pulled out of the opening. Ensure that the new brush strip is fully inserted, then press the side plate back into place.

NOTE: Ensure plate is locked in place.

⚠ CAUTION: Maintenance and repairs must be done by qualified personnel.

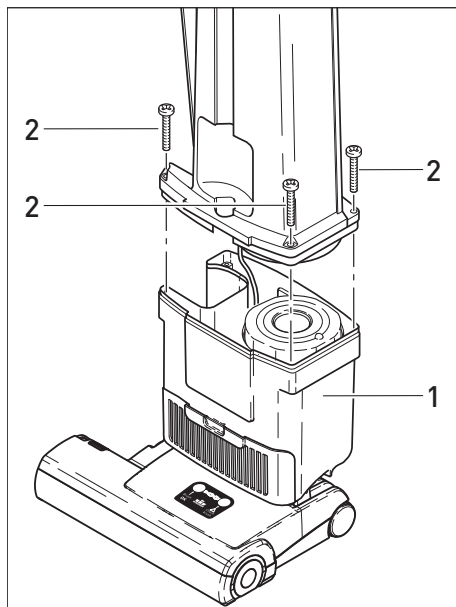
⚠ WARNING: To reduce risk of electric shock unplug before cleaning or servicing.



Removing The Dust Bag Housing

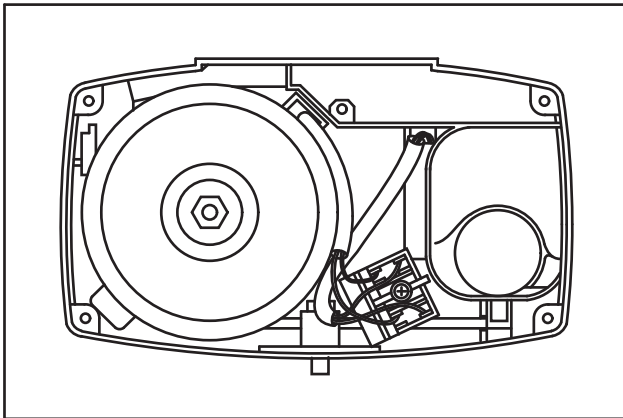
Remove the back cover, then remove the 4 screws (2). Carefully lift the dust bag housing off the power head.

NOTE: The power cord remains attached between the dust bag housing and the power head.



Removing the Switch Housing Cover

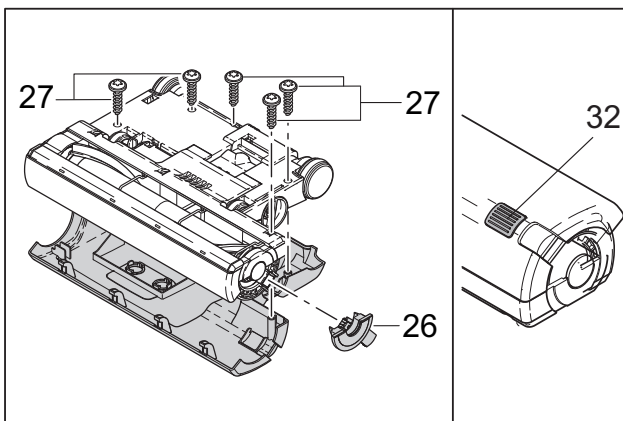
Remove the three screws then lift cover off. Circuit board (33) can be removed by loosening screw (32).



Replacing The Vacuum Motor

First detach the two black wires from the terminal block. When replacing, ensure that the motor support is fully located onto the motor cover. The motor cover should then be firmly located onto the vacuum motor and the motor, with its cover and support, firmly seated into position as shown in the vacuum motor housing.

When properly seated the motor cannot be turned. Replace motor seal.

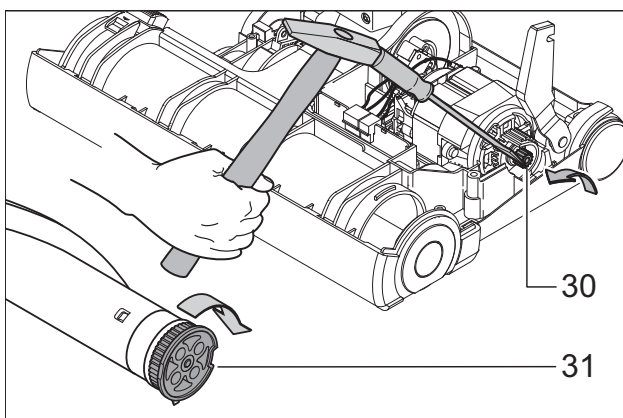
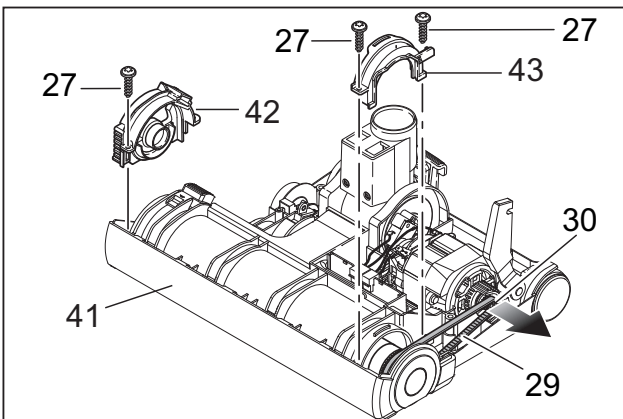


Changing The Brush Roller

Push button (32), remove the side plate (26) and remove the four (VS14) or five (VS18) screws (27) from underneath the chassis. The cover and the button (32) can then be lifted off.

Push the belt (29) off the motor pulley (30), remove the bumper (41).

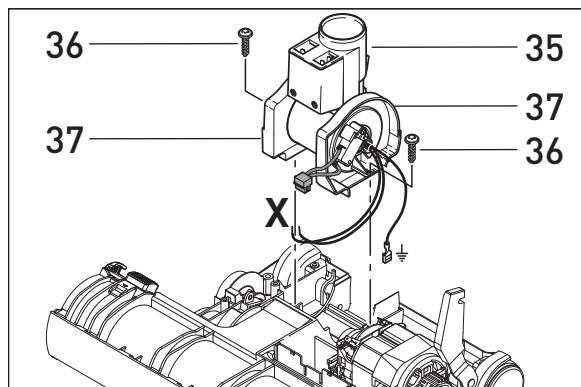
Remove the three screws (27) from the brush bearing blocks (42 & 43). Lift the bearing blocks out and replace the brush roller.



Removing The Brush Roller Pulley

Hold the roller in one hand and turn the pulley (31) in a clockwise direction.

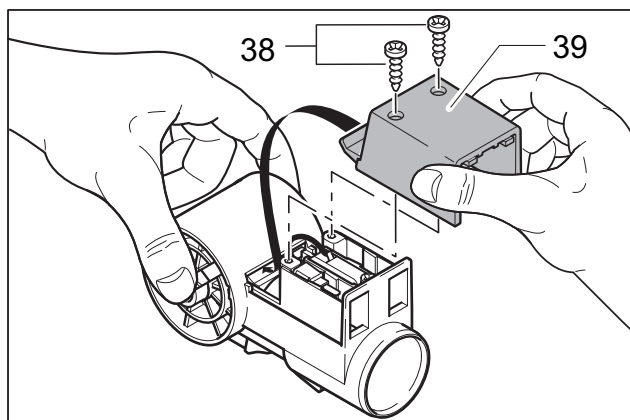
To remove the motor pulley (30) insert a screwdriver into a groove and give a light tap in a counterclockwise direction. The loosened pulley can then be removed.



Removing The Swivel Neck

To remove the swivel neck (35) remove the two small screws (36) from the swivel neck supports (37) then lift the swivel neck assembly from the chassis.

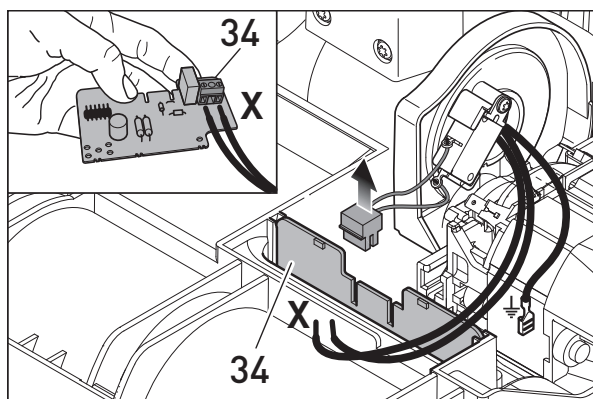
NOTE: On re-assembly ensure that the wires from the swivel neck are not trapped when the power head cover is replaced.



Removing The Swivel Neck Cover

Remove the retaining screw (38), slide the cover (39) downwards then lift out.

NOTE: On re-assembly check that the leads do not become trapped.



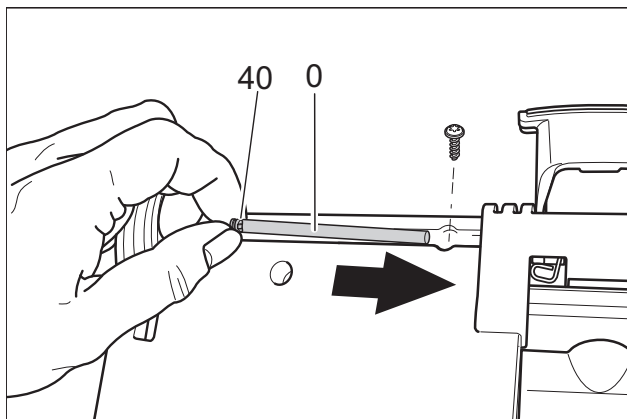
Changing The Electronic Controller

Disconnect the lead from the motor. Lift the controller (34) upwards from the motor. Lift the controller upwards from the swivel neck.

Replacing the Foot Pedal

Remove the power head from the upper housing. Remove the cover from the power head and the retaining screw. Insert a screw driver in the notch on the axle and slide the axle out. Remove and replace foot pedal. Re-assemble.

NOTE: Ensure that at re-assembly, the axle (0) notch (40) is visible as shown.



Maintenance

Troubleshooting

PROBLEM	CAUSE	SOLUTION
Brush not turning	Hose nozzle not far enough into neck	Reposition hose nozzle into neck
	Brush jammed	Turn off machine, clear brush and restart
	Brush strip not fully inserted	Push brush strip in all the way
	Broken belt	Replace belt
Red light stays on at lowest brush setting (#1)	Brush worn	Replace brush strip
Full bag light on, or poor suction	Full dust bag	Replace bag
	Hose clogged	Remove and clean hose
	Neck clogged	Disconnect floor head from vac tank and clean neck
	Bag not properly installed	Re-insert bag correctly
	Exhaust or motor filter clogged	Clean or replace filter
	Back cover leaking air	Re-Install dust bag, motor filter and back cover to ensure tight fit all around
Full bag light off when vacuum hose is blocked or bag is full	Sensor out of adjustment	Remove back door and use small screwdriver to turn screw behind light, counter-clockwise
Back door won't close	Bag not properly installed	Re-insert bag correctly
	Motor filter not in position	Re-insert filter correctly
Machine won't turn on	Faulty electrical circuit	Have machine check by qualified service person

Technical Data V14D (V18D)

ITEM	DIMENSION/CAPACITY
Voltage	120V, 60 hz
Vacuum floor	8,6 amp
Air flow	117 cfm
Dust bag	1,3 gal, 3-layer
Brush motor	1,4 (1,8) amp
Brush width	12 3/4 (16/3/4) inches
Brush drive	Non slip drive belt with electronic overload protection
Brush strip	Replaceable
Height	48 inches
Width	14 (18) in
Weight	16 (18) lbs



by HILLYARD

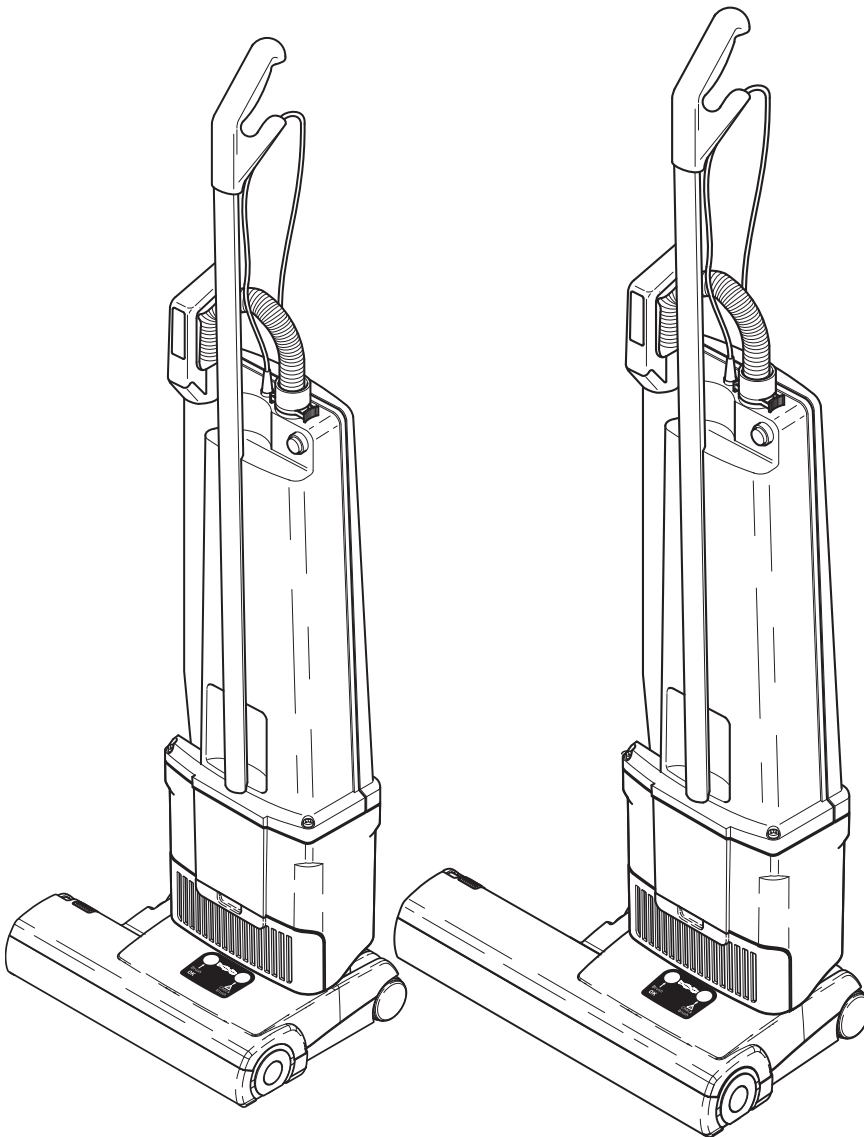
Vacuum

HIL 56082 / HIL 56083

Instrucciones de funcionamiento (SPA)

**MODEL: 1.012-604.0
V14D**

**1.012-605.0
V18D**



Etiqueta de Datos de la Máquina

Modelo: _____

Fecha de la compra: _____

Número de serie: _____

Distribuidor: _____

Dirección: _____

Nº de teléfono: _____

Representante de ventas: _____

Registro de garantía

Gracias por comprar un producto HILLYARD.

Por favor registre su máquina para la garantía a través de su distribuidor autorizado Trident

Etiqueta de Datos de la Máquina 2
Índice 3
Cómo utilizar el manual 4

Seguridad

INSTRUCCIONES DE SEGURIDAD
 IMPORTANTES 5
 INSTRUCCIONES PARA CONECTAR EL EQUIPO
 A TIERRA 6
 IMPORTANTES PRECAUCIONES 7

Operaciones

Componentes 8
 Ensamblado de aspiradora 8
 Conexión de manguera de aspiración 8
 Seguro del cuello giratorio 9
 Encienda el cabezal de potencia eléctrica 9
 Controlador de cepillo 9
 Indicador del nivel del filtro 9

Mantenimiento

Cambio de la bolsa de papel 10
 Cambio de filtros 10
 Desbloques 11
 Cambio de la banda de cepillo 11
 Remoción de la cubierta del alojamiento del
 interruptor 12
 Remoción del alojamiento de bolsa de polvo . . . 12
 Reemplazo del motor de aspiración 13
 Cambio del rodillo de cepillo 13
 Remoción de la polea del rodillo
 de cepillo 13
 Remoción del cuello giratorio 14
 Remoción de la cubierta del
 cuello giratorio 14
 Cambio del controlador electrónico 14
 Reemplazo del pedal de pie 15
 Resolución de problemas 16
 Datos Técnicos V14D (V18D) 16

Piezas

Tools, Bags & Filters 18
 Upper Housing 20
 Power Head-V14D 22
 Power Head-V18D 24
 Wiring Diagram 26

Cómo utilizar el manual

El manual contiene las siguientes secciones:

- Cómo utilizar el manual
- Seguridad
- Operaciones
- Mantenimiento
- Lista de piezas

La sección CÓMO UTILIZAR EL MANUAL le indica el modo de encontrar información importante para pedir las piezas de recambio correctas.

Las piezas deben ser solicitadas a distribuidores autorizados. Al realizar el pedido de piezas, es importante saber el modelo y el número de serie de la máquina. Consulte el cuadro DATOS DE LA MÁQUINA que se completa durante la instalación de la máquina. El cuadro DATOS DE LA MÁQUINA está situado en la parte interior de la cubierta frontal de este manual.

Modelo: _____
Fecha de la compra: _____
Número de serie: _____
Distribuidor: _____
Dirección: _____
Nº de teléfono: _____
Representante de ventas: _____

El modelo y número de serie de su máquina están situados en el extremo inferior de la parte posterior de la máquina.

La sección SEGURIDAD contiene información importante acerca de los usos de la máquina que pueden resultar peligrosos o poco seguros. Se identifican niveles de riesgos que pueden ocasionar lesiones personales o daños en el producto, o lesiones graves que pueden provocar la muerte.

El objetivo de la sección FUNCIONAMIENTO es familiarizar al operario con el manejo y el funcionamiento de la máquina.

La sección MANTENIMIENTO incluye instrucciones sobre mantenimiento preventivo para mantener la máquina y sus componentes en buenas condiciones de funcionamiento. Están clasificadas en el siguiente orden general:

- Bolsa de polvo
- Filtros
- Bloqueo
- Bandas del cepillo
- Resolución de problemas

La sección LISTA DE PIEZAS contiene ilustraciones de las piezas ensambladas y la correspondiente lista de piezas. Incluye además varias columnas con información:

- **ITEM** - la columna indica el número de referencia en la ilustración de las piezas.
- **PART NO.** - la columna enumera el número de pieza.
- **REF NO.** - N.º de referencia
- **DESCRIPTION** - la columna es una breve descripción de la pieza.
- **NOTES**- esta columna contiene la información no incluida en las otras columnas.

NOTA: Si en la máquina se incluye un juego de servicio u opciones, asegúrese de conservar las INSTRUCCIONES DEL JUEGO que acompañan al mismo. Éste contiene los números de piezas de recambio necesarias para solicitar piezas en el futuro.

NOTA: El número de pieza correspondiente al manual está ubicado en la esquina inferior derecho de la tapa.

INSTRUCCIONES DE SEGURIDAD IMPORTANTES

Quando se utilice la máquina, siempre se deben adoptar precauciones básicas, entre las que se incluye:

LEA TODAS LAS INSTRUCCIONES ANTES DE UTILIZAR LA MÁQUINA.

⚠ ADVERTENCIA: Para reducir el riesgo de incendio, descargas eléctricas y lesiones:

1. No deje la máquina enchufada. Debe desenchufarla cuando no se encuentra en uso y antes de repararla.
2. Conecte únicamente a una toma conectada adecuadamente a tierra. Consulte las instrucciones de conexión a tierra.
3. No la utilice en el exterior o en superficies mojadas.
4. No la utilice cerca de niños pequeños. No permita que se la emplee como juguete. Preste mucha atención cuando sea utilizada por niños o cerca de ellos.
5. Utilícela sólo del modo descrito en este manual. Utilice solamente los accesorios recomendados por el fabricante.
6. No la utilice si el cable o el enchufe están dañados. Si la máquina no funciona adecuadamente, se ha caído, ha sufrido daños, fue olvidada en el exterior, o ha caído al agua, llévela a un servicio técnico.
7. No empuje ni traslade la máquina usando el cable, no utilice el cable como manija, no enganche el cable con las puertas ni lo enrolle alrededor de bordes o ángulos filosos. No haga funcionar la máquina sobre el cable. Mantenga el cable alejado de las superficies calientes.
8. No desenchufe la máquina tirando del cable. Para desenchufarla, tire del enchufe, no del cable.
9. No manipule el enchufe ni la máquina con las manos húmedas.
10. No coloque objetos en las aberturas. No utilice la máquina si alguna de las aberturas está bloqueada, manténgala libre de polvo, pelusas, cabellos y de todos los objetos que pueden reducir el caudal de aire.
11. Mantenga el cabello, la ropa holgada, los dedos y todas las partes del cuerpo alejadas de las aberturas y las piezas móviles. No coloque los dedos ni otras partes del cuerpo debajo de la aspiradora a menos que se encuentre desenchufada.
12. No aspire objetos que estén ardiendo o humeando, como cigarrillos, cerillas o cenizas calientes.
13. No utilice la máquina si la bolsa o los filtros no están en su lugar. No lave los filtros.
14. Desconecte todos los controles antes de desenchufar la máquina.
15. Sea extremadamente precavido al limpiar escaleras.
16. No utilice la máquina para aspirar líquidos inflamables o combustibles tales como gasolina ni la utilice en superficies en donde haya habido dichos líquidos.
17. No maneje la máquina cerca de fluidos, polvo o vapores inflamables.
18. Personal debidamente capacitado debe realizar el mantenimiento y las reparaciones.
19. Utilice únicamente piezas de reemplazo idénticas. Consulte las instrucciones para realizar el mantenimiento de los aparatos.
20. No utilice la máquina como escalera.
21. Si se la utiliza sobre alfombras afelpadas o alfombras gruesas de fieltro no deje la máquina encendida en un solo lugar.
22. No use la manija en el alojamiento de la bolsa de polvo para empujar la máquina.
23. Apague siempre este utensilio antes de conectar o desconectar la boquilla motorizada.
24. El cepillo puede prenderse inesperadamente. Para reducir el riesgo de una lesión a causa de las partes móviles –Desconectese antes de repararse.
25. La aspiradora posee un protector térmico de reposición manual. El protector se repone apagando la aspiradora. Éste necesita algún tiempo para enfriarse ¡después del apagado! Revise si la aspiradora tiene alguna falla mecánica u obstrucción antes de encenderla.
26. Guarde la aspiradora en un lugar seco a temperatura ambiente. Cuando la aspiradora no se esté usando, enrollé el cordón en los ganchos para el cable.
27. Cualquier otro servicio debe realizarlo un representante del servicio autorizado.
28. Asegúrese que su cable de extensión esté en buenas condiciones y sea del tamaño correcto para su aparato. La tabla en la página de Instrucciones de puesta a tierra muestra el tamaño correcto a usar dependiendo de la longitud del cable y la clasificación de amperios de la placa de identificación. Si tiene dudas, use el siguiente calibre más pesado. Mientras más bajo sea el número del calibre, más pesado será el cable. Un cable de extensión de tamaño menor causará una caída en el voltaje de línea, ocasionando una pérdida de energía y sobrecalentamiento.
29. Use solamente cables de extensión para exteriores de tres hilos que tengan enchufes de conexión a tierra de tres clavijas y receptáculos de conexión a tierra que acepten el enchufe del aparato.
30. **⚠ ADVERTENCIA:** Para reducir el riesgo de lesiones personales debido a una conexión eléctrica suelta entre el enchufe del aparato y el cable de extensión, conecte firme y completamente el enchufe al cable de extensión. Revise periódicamente la conexión durante la operación para asegurarse de que esté conectado completamente. No use un cable de extensión que proporcione una conexión suelta. Una conexión suelta puede ocasionar sobrecalentamiento, incendio, e incrementa el riesgo de una quemadura.
31. Para reducir el riesgo de desconexión del cable del aparato del cable de extensión durante la operación, haga un nudo como se muestra en las Instrucciones de puesta a tierra.
32. Mantenga el aparato con cuidado - Revise los cables de extensión periódicamente y reemplace si están dañados.

LEA Y GUARDE ESTAS INSTRUCCIONES

INSTRUCCIONES PARA CONECTAR EL EQUIPO A TIERRA

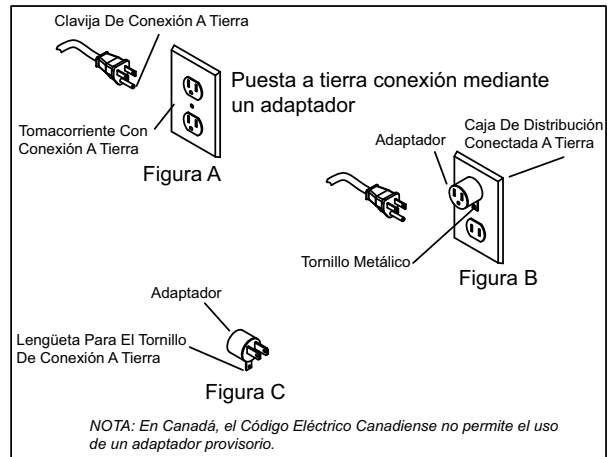
Este aparato debe estar conectado a tierra. En caso de un mal funcionamiento o una avería, la conexión a tierra brinda la posibilidad de una resistencia menor a la corriente eléctrica para reducir el riesgo de descarga eléctrica. Este aparato está equipado con un código que tiene un conductor y un enchufe para la conexión a tierra del equipo. El enchufe se debe insertar en un tomacorriente adecuado debidamente instalado y conectado a tierra de acuerdo con todos los códigos y ordenanzas locales.

⚠ ADVERTENCIA:

La conexión inadecuada del conductor con conexión a tierra del equipo conlleva el riesgo de descarga eléctrica. Si tiene alguna duda acerca de la debida conexión a tierra del tomacorriente consulte con un electricista o técnico calificado. No modifique el enchufe provisto con el aparato, si no cabe en el tomacorriente, indíquelo a un electricista calificado que le instale un tomacorriente adecuado.

Este aparato se utiliza en un circuito de 120 volts nominal y posee un enchufe con conexión a tierra parecido al ilustrado en el boceto A. Se puede usar un adaptador temporario similar al adaptador ilustrado en los bocetos B y C para conectar este enchufe a un receptáculo de 2 polos como se muestra en el boceto B en caso de que no haya disponible un enchufe con conexión a tierra. El adaptador provisorio sólo se debe usar hasta que un electricista calificado instale un tomacorriente conectado a tierra (boceto A). La espiga rígida verde, la argolla o pieza similar que se extiende desde el adaptador debe conectarse a una conexión a tierra permanente como una tapa de la caja de distribución adecuadamente conectada a tierra. Cuando se usa el adaptador, se lo debe sujetar en su sitio mediante un tornillo metálico.

Nota: En Canadá, el Código Eléctrico Canadiense no permite el uso de un adaptador provisorio..



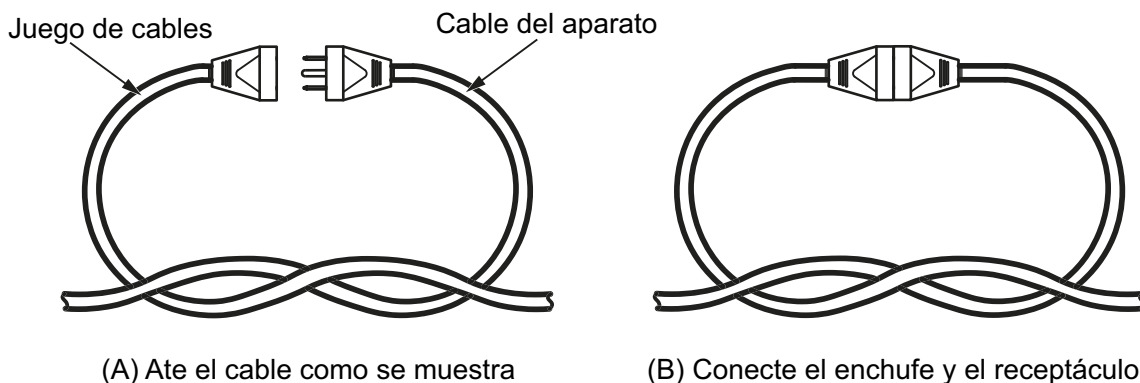
Eléctrica

En Estados Unidos, esta máquina funciona con un circuito eléctrico estándar de 115 voltios CA de 15 amperios. El amperaje, los hercios y el voltaje se mencionan en la etiqueta de datos de cada máquina. Si se utilizan voltajes superiores o inferiores a los indicados en la etiqueta de datos, los motores sufrirán daños graves

Cables de extensión

Si se usa un cable de extensión, el tamaño del cable debe ser el indicado en la tabla, y se debe limitar a 50 pies (15.5 m) de longitud.

Figura 1: método de sujeción del cable del aparato al Juego de cables de extensión



Extension cords ratings and measures					
Ampere rating		Volts	Total length of cord		
			7.62m (25ft)	15,24m (60ft)	30,48m (100ft)
More than A	Not More than A		mm ² (AWG)		
10	12	120 V	0.83 (18)	1.3 (16)	2.1 (14)

IMPORTANTES PRECAUCIONES

Los accidentes causados por el uso incorrecto del aparato sólo pueden ser prevenidos por las personas que utilizan la máquina. Para protegerse de posibles lesiones, se deben cumplir medidas de seguridad básicas entre las que se incluyen:

Lea y siga todas las instrucciones de seguridad.

⚠ ADVERTENCIA: Si se usa en el exterior o en superficies húmedas puede causar una descarga eléctrica.

El diseño de la aspiradora es seguro cuando el aparato se usa para efectuar funciones de limpieza. Si las partes mecánicas o eléctricas sufrieran algún daño, la aspiradora debe ser reparada por un centro de servicio técnico competente antes de volverla a usar a fin de evitar daños adicionales a la máquina o lesiones físicas al usuario.

Un cable eléctrico deteriorado puede provocar una descarga eléctrica y/o un incendio. Para disminuir esta posibilidad adopte las siguientes precauciones:

- ♦ No pase la aspiradora sobre conductores eléctricos.
- ♦ Evite enganchar el cable eléctrico con las puertas ni lo enrosque alrededor de bordes filosos o coloque objetos cortantes sobre él.
- ♦ Enrolle el cable sólo con la tensión necesaria para retenerlo en los respectivos ganchos.
- ♦ Cuando desconecte el cable eléctrico del tomacorriente, tire del enchufe. Si se saca tirando del cable mismo se puede dañar el aislamiento del cable y las conexiones internas del enchufe.

La aspiradora origina una succión y contiene un cepillo giratorio. Para evitar que la succión o las piezas móviles causen lesiones corporales, el cepillo de la aspiradora no debe colocarse contra o muy cerca de la ropa, joyas, cabello o superficies corporales mientras el aparato está conectado al tomacorriente. La aspiradora no se debe usar para aspirar la ropa mientras ésta está en uso. Mantenga a los niños alejados de la máquina cuando está funcionando o enchufada.

Si se usa sobre una alfombra gruesa o acolchada, apague la unidad cuando la manija está en posición vertical. Cuando se usan las herramientas auxiliares, mantenga el manguito de piso lejos de la alfombra con la manija en posición trabada y baje la manija con la mano para levantar el manguito del piso. Opere los elementos accesorios con la otra mano.

Siempre enchufe la aspiradora en un tomacorriente de pared estándar. El uso de un cable de extensión o un tomacorriente muy liviano y con poca capacidad para el transporte de corriente eléctrica puede causar una descarga eléctrica o un incendio.

Desconecte la aspiradora del tomacorriente antes de efectuar reparaciones como cambiar las bolsas o correas. Las piezas en movimiento de la máquina podrían causarles lesiones corporales si el interruptor se accionara accidentalmente. Desconecte la aspiradora del tomacorriente antes de separar el cabezal de potencia.

No use la aspiradora en áreas donde haya vapores inflamables o explosivos o polvo a fin de evitar la posibilidad de un incendio o una explosión. Algunos líquidos de limpieza pueden causar tales vapores. Las áreas sobre las cuales se han utilizado líquidos de limpieza deben estar totalmente secas y bien aireadas antes de pasar la aspiradora.

Para evitar el peligro de incendio, no aspire con la aspiradora cerillas, cenizas de hogares o material humeante.

Mantenga su área de trabajo bien iluminada para evitar aspirar materiales dañinos (como líquidos, objetos cortantes o sustancias en combustión) y accidentes por tropezos.

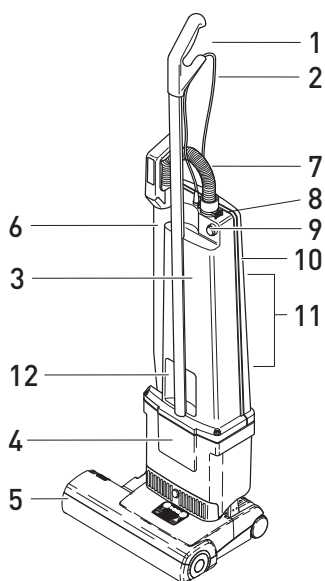
Tenga cuidado al operar la aspiradora sobre superficies irregulares como escaleras, ya que la caída de la aspiradora podría causar lesiones corporales y/o daños mecánicos. El almacenamiento adecuado de la máquina en un área específica inmediatamente luego del uso también evitará los accidentes causados por tropezos con la máquina.

Guarde la aspiradora en interiores, en un área fresca y seca no expuesta a las condiciones climáticas para evitar descargas eléctricas y/o daños a la máquina.

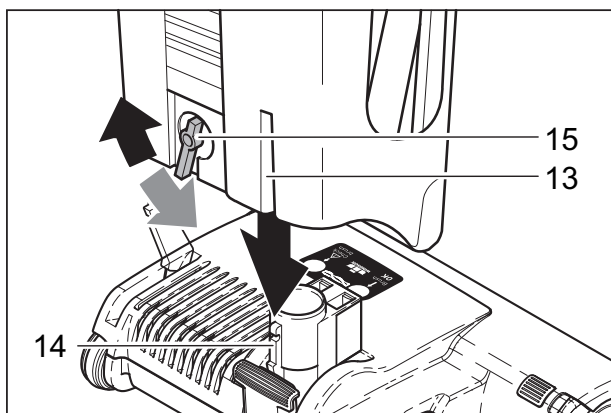
Haga una estricta supervisión para evitar lesiones cuando la aspiradora se utiliza cerca de los niños o cuando se permite a un niño operar la aspiradora. No permita que los niños jueguen con la aspiradora y nunca deje el aparato enchufado y sin supervisión.

GUARDE ESTAS INSTRUCCIONES

Componentes

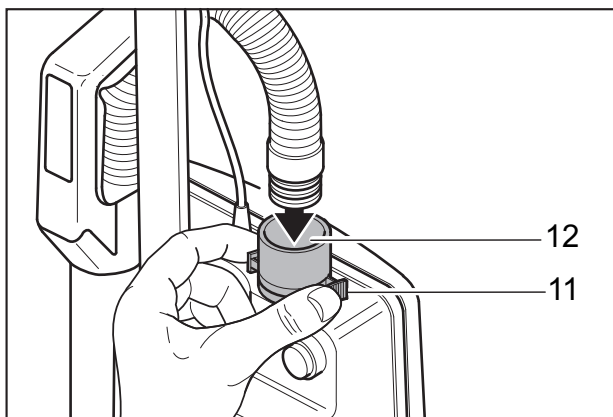


1. Empuñadura
2. Cable
3. Cubierta de la bolsa de polvo
4. Caja del motor de vacío
5. Cabeza de la energía
6. Tubo telescópico
7. Manguera
8. Anillo de retención
9. Interruptor encendido / apagado
10. Contraportada
11. Gancho de cable
12. Llevar el recreo



Ensamblado de aspiradora

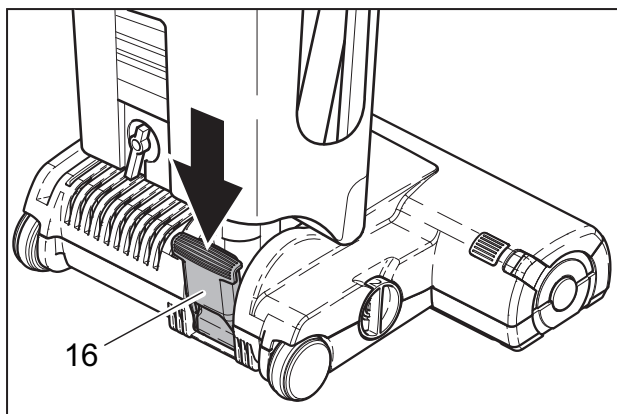
Mantenga el alojamiento del motor de aspiración en posición vertical e insértelo en el cabezal de potencia. Ubique la línea (13) sobre el alojamiento de motor en forma exactamente opuesta a la nervadura sobre el cuello giratorio (14). Durante la colocación la traba (15) debe girarse hacia la izquierda. Fije la sección de aspiración en su lugar, girando la traba a la posición vertical.



Conexión de manguera de aspiración

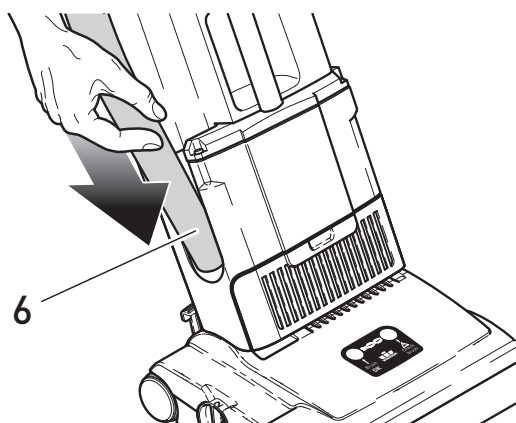
Empuje el extremo negro de la manguera dentro del tubo de conexión (12) hasta que haga clic en el lugar.

Para desconectar la manguera, presione los costados del anillo de retención (11) y saque la manguera fuera del tubo.



Seguro del cuello giratorio

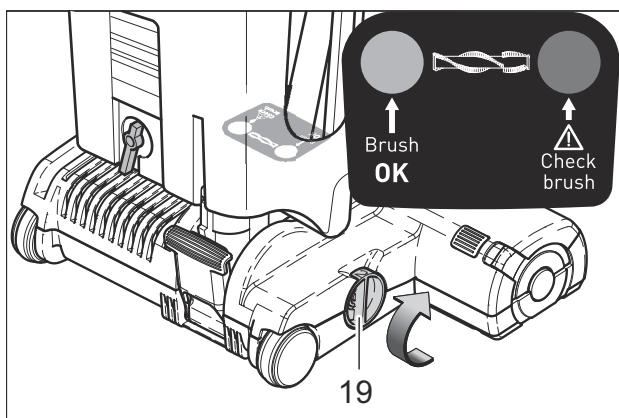
Para liberar la máquina de la posición vertical suelte el pedal de pie (16).



Encienda el cabezal de potencia eléctrica

El motor del cabezal de potencia arranca automáticamente cuando el interruptor principal (9) se enciende y la máquina se inclina hacia atrás después de liberar el seguro del cuello giratorio (16). Por seguridad, siempre coloque la máquina en vertical y tenga el seguro del cuello giratorio asegurado cuando use el tubo telescópico.

Algunas versiones de la aspiradora detienen el cabezal de potencia automáticamente cuando el tubo telescópico (6) se retira y vuelve a arrancar cuando se vuelve a insertar correctamente. Si el cabezal de potencia no arranca, revise si el tubo telescópico está insertado completamente.



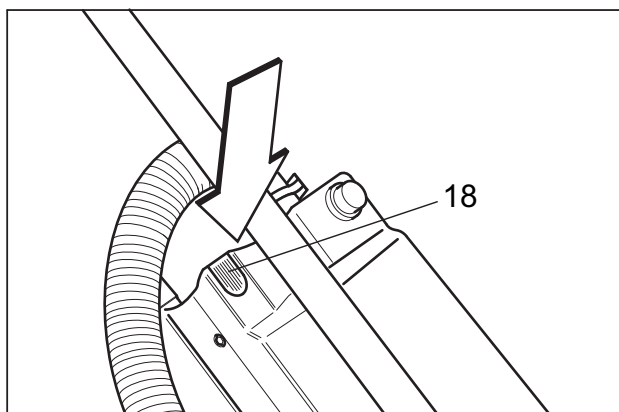
Controlador de cepillo

El controlador de cepillo electrónico supervisa el funcionamiento del cepillo.

Luz verde: El cepillo está bien colocado y funciona correctamente.

Luz verde y roja: Ajuste la configuración del cepillo girando la perilla de ajuste de pelos (19) a un número más bajo.

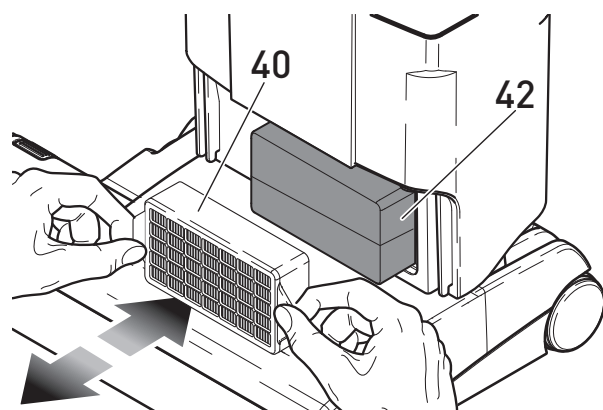
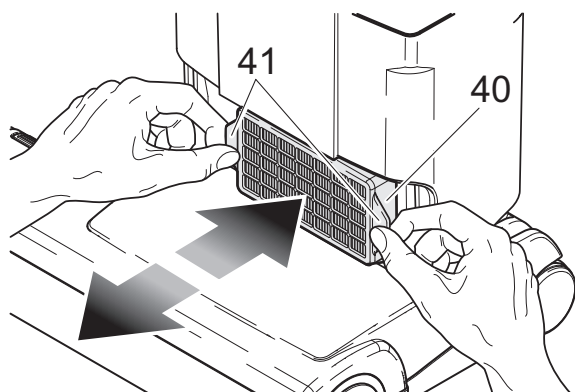
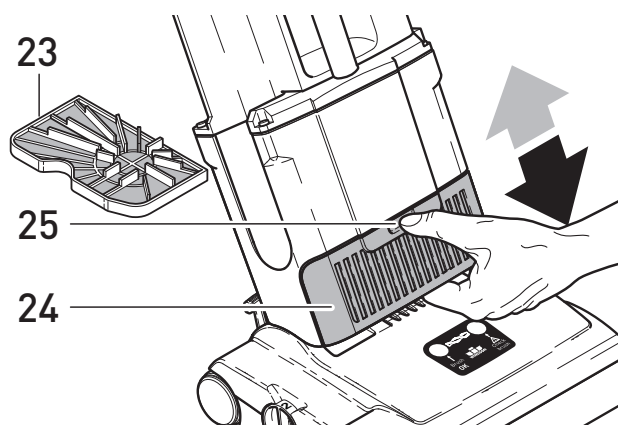
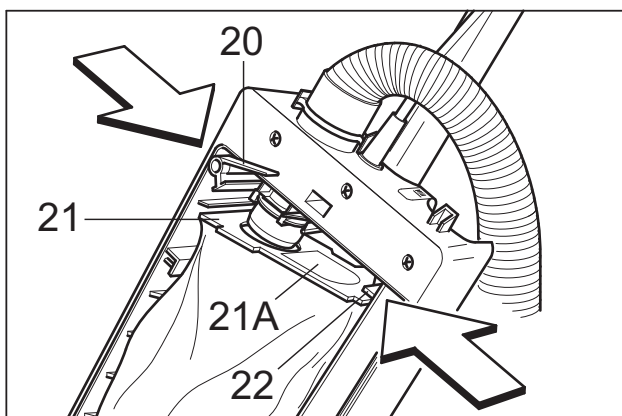
Luz roja centelleante: El cepillo está bloqueado y no funciona. Apague el motor. Desenchufe la máquina y limpie el cepillo.



Indicador del nivel del filtro

Si se enciende la luz de advertencia (18) verifique lo siguiente:

- ¿Está llena la bolsa?
- ¿Hay un bloqueo en la manguera o el cabezal de potencia?



⚠ ADVERTENCIA:

Desenchufe la máquina del tomacorriente antes de realizar cualquier tarea de mantenimiento.

Cambio de la bolsa de papel

Para cambiar la bolsa de polvo: Retire la cubierta posterior. Baje la palanca (20). Baje la bolsa de polvo del tubo de conexión. Cierre la abertura de la parte superior de la bolsa de polvo con la tapa de cartón (21 A). Para colocar la nueva bolsa de polvo: Inserte la parte superior de la bolsa de polvo (21) en la ranura (22). Baje la palanca (20) y coloque la abertura de la parte superior de la bolsa de polvo sobre el tubo de conexión. Lleve la palanca a la posición inicial para que quede horizontal.

Cambio de filtros

Filtro de motor de la aspiradora (23) - Limpie el polvo de la superficie retirando de la máquina y golpeando ligeramente, reemplace después de que se hayan usado aproximadamente 20 bolsas de papel. Vacíe el filtro (24) - Cámbielo cuando esté sucio. Retire la cubierta del filtro de escape presionando en el hueco y moviendo la cubierta hacia abajo. Retire el filtro de escape (40) usando las dos manijas (41) e instale la pieza de reemplazo. Coloque la cubierta sobre el alojamiento del filtro y muévelo hacia arriba hasta que el seguro se conecte. No lave los filtros.

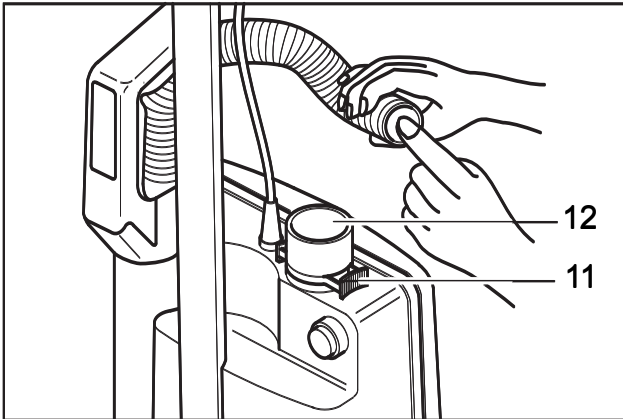
NOTA: Hay disponibles filtros de grado hospitalario.

Silenciador

El silenciador (42) está ubicado detrás del filtro de escape (40) y no necesita limpiarse o reemplazarse durante la operación normal. Si debido a condiciones especiales, parece apropiado limpiar el silenciador, siga este procedimiento: Retire el filtro de escape (40) y jale hacia afuera el silenciador (42). Golpear ligeramente debería ser suficiente para la limpieza.

Después, empuje el silenciador, con el lado biselado a la izquierda, colóquelo nuevamente en la máquina y vuelva a colocar el filtro de escape.

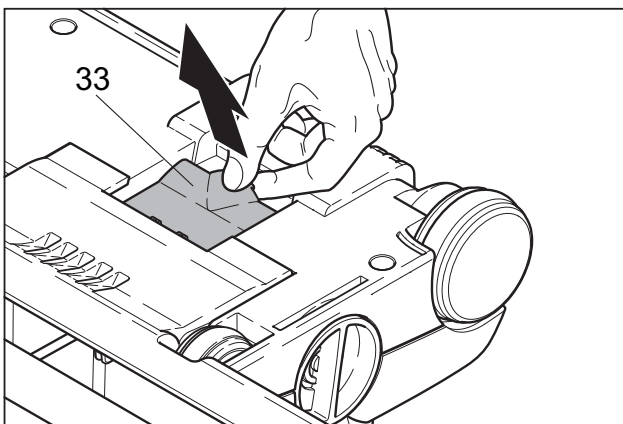
El silenciador consiste en dos partes debido a los requerimientos de producción.



Desbloques

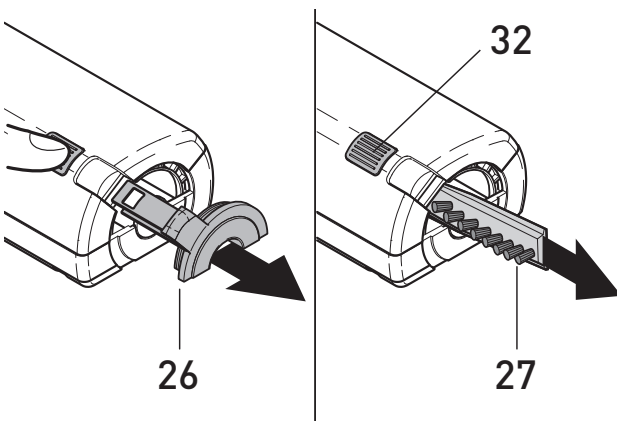
Si se enciende la luz de advertencia de bolsa llena antes de que ésta esté llena, verifique si hay bloqueos. Suelte la manguera apretando las lengüetas del anillo de retención (11). Invierta la manguera y ponga el extremo de la varilla en el tubo de conexión (12). Elimine la obstrucción encendiendo la máquina y manteniendo la manguera en posición vertical. Si es necesario tape y destape con la mano el extremo de la manguera.

NOTA: Nunca use un palo o un objeto cortante para desobstruir la manguera.



Verifique si hay bloqueos en el cuello giratorio del cabezal de potencia y debajo de la trampilla naranja (33) ubicada en la parte inferior del cabezal de potencia.

Verifique también que no haya bloqueos en el paso entre las dos aberturas en el cabezal de potencia.



Cambio de la banda de cepillo

Para cambiar la banda de cepillo, presione el botón (32), retire la placa lateral (26) y gire el cepillo para sacar la banda de cepillo (27) de la abertura. Asegúrese de insertar bien la nueva banda, luego vuelva a presionar la placa lateral en el sitio.

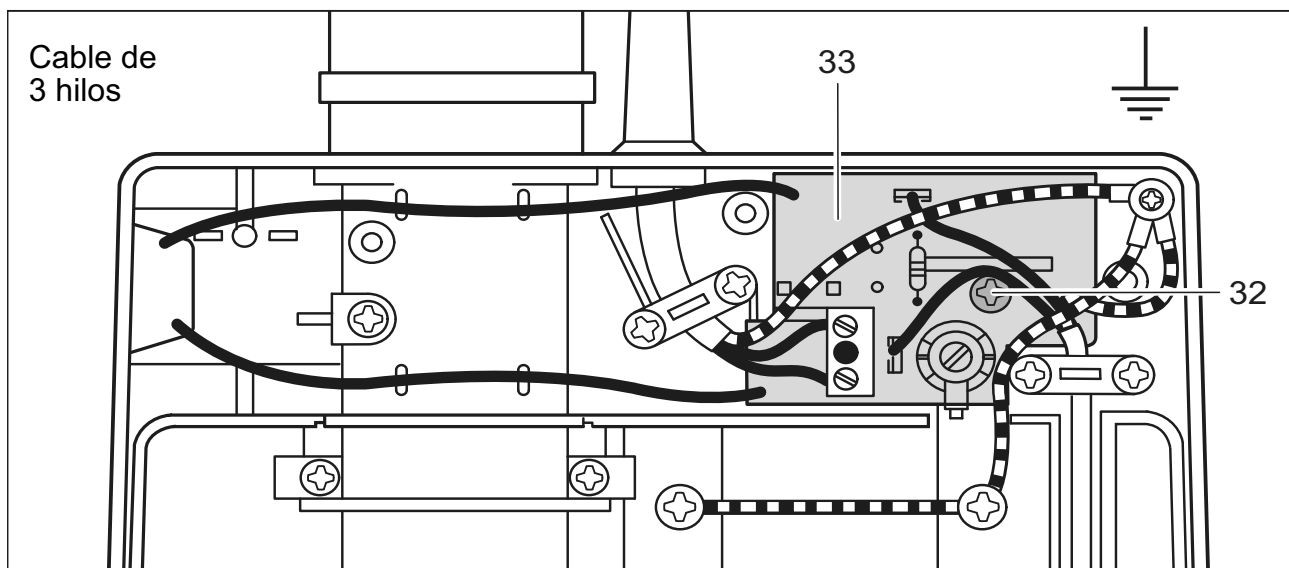
NOTA: Asegúrese de bloquear la placa en el sitio.

⚠ PRECAUCION:

Personal debidamente capacitado debe realizar el mantenimiento y las reparaciones.

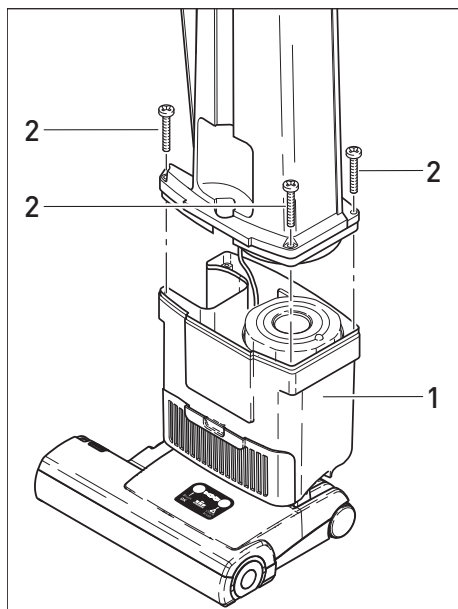
⚠ ADVERTENCIA:

Para reducir el riesgo de descarga eléctrica, desenchufe la máquina antes de limpiarla o repararla.



Remoción de la cubierta del alojamiento del interruptor

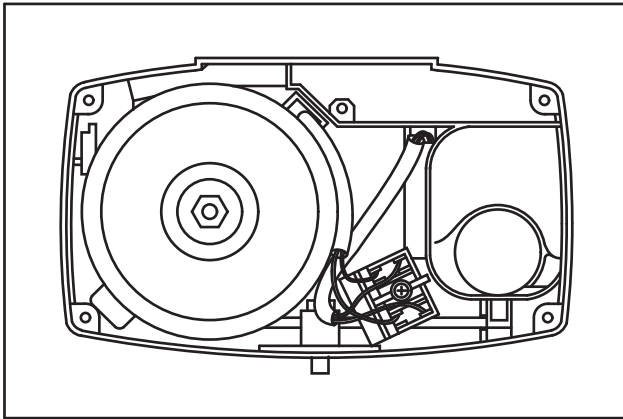
Retire los tres tornillos y luego levante la cubierta. La placa de circuito (33) se puede retirar aflojando el tornillo (32).



Remoción del alojamiento de bolsa de polvo

Retire la cubierta posterior y luego los 4 tornillos (2). Levante con cuidado el alojamiento de la bolsa de polvo del cabezal de potencia.

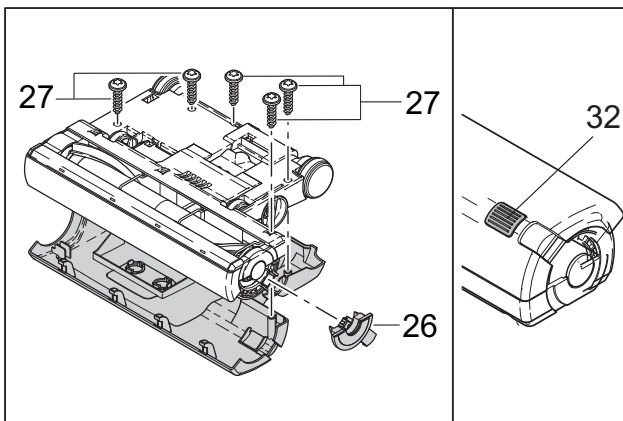
NOTA: El cable eléctrico permanece sujeto entre el alojamiento de bolsa de polvo y el cabezal de potencia.



Reemplazo del motor de aspiración

Primero suelte los dos cables negros del bloque de conexiones. Cuando lo reemplace, asegúrese de que el soporte del motor esté colocado completamente sobre la cubierta del motor. Luego la cubierta del motor debe colocarse firmemente sobre el motor de aspiración y el motor, con su cubierta y soporte asentados firmemente en la posición tal como se indica en el alojamiento del motor de aspiración.

Si el motor se asienta adecuadamente no se puede dar vuelta. Sustituya el sello de motor.

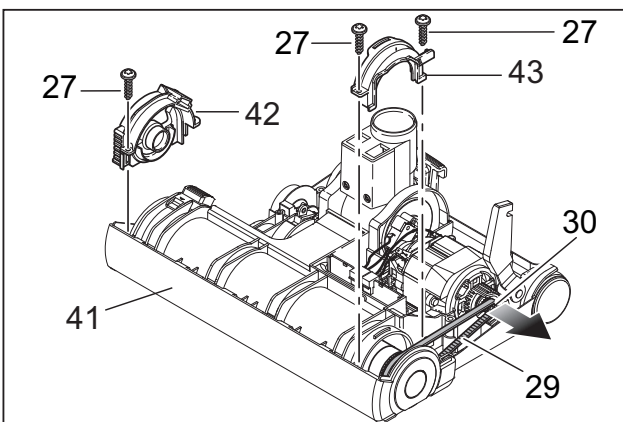


Cambio del rodillo de cepillo

Presione el botón (32), retire la placa lateral (26) y los cuatro (VS14) o cinco (VS18) tornillos (27) que están debajo del chasis. Así se puede levantar la cubierta y el botón (32).

Retire la correa (29) de la polea del motor (30), y luego la defensa (41).

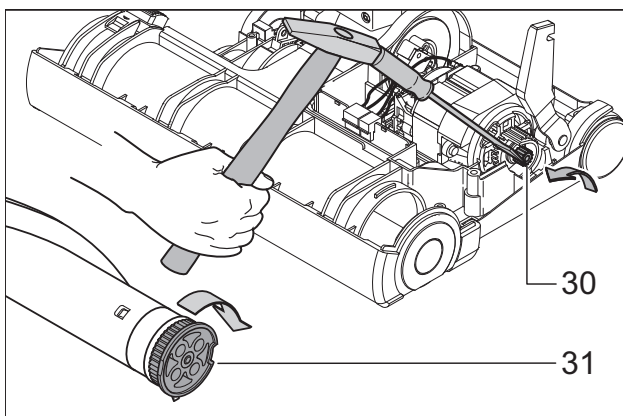
Retire los tres tornillos (27) de los pedestales del cepillo (42 y 43). Levante los pedestales y sustituya el rodillo del cepillo.

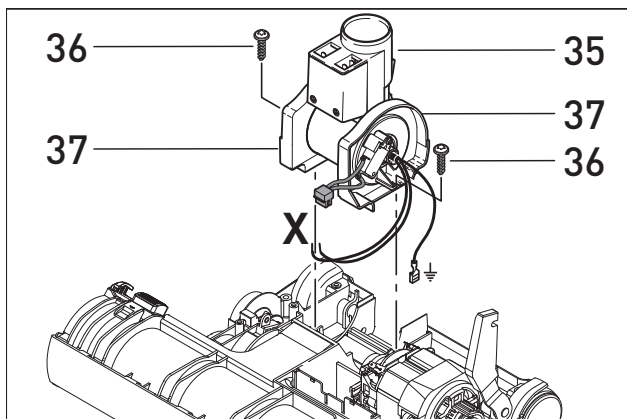


Remoción de la polea del rodillo de cepillo

Mantenga el rodillo en una mano y gire la polea (31) de izquierda a derecha.

Para sacar la polea del motor (30) inserte el destornillador en un surco y dé un golpe suave de izquierda a derecha. De este modo se puede sacar la polea aflojada.

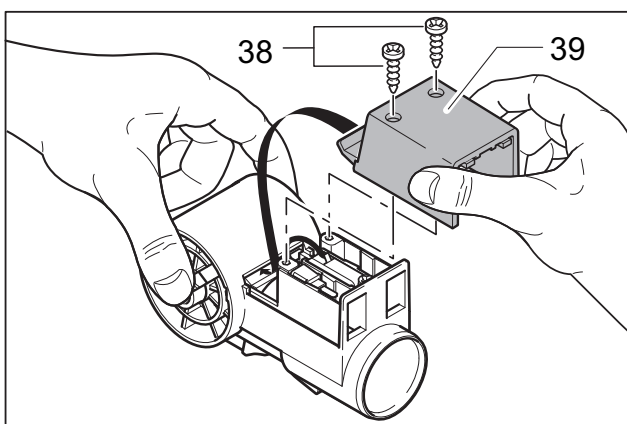




Remoción del cuello giratorio

Para retirar el cuello giratorio (35) saque los dos tornillos pequeños (36) de los soportes del cuello giratorio (37), levante el montaje de cuello giratorio del chasis.

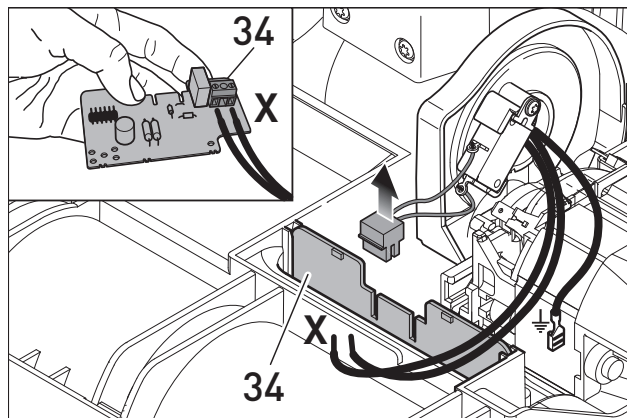
NOTA: Cuando vuelva a ensamblarlo asegúrese de que los cables del cuello giratorio no queden atrapados al sustituir la cubierta del cabezal de potencia.



Remoción de la cubierta del cuello giratorio

Retire el tornillo de retención (38), deslice la cubierta (39) hacia abajo y luego retírela.

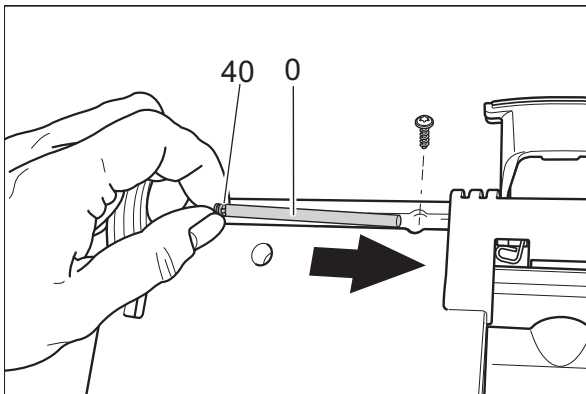
NOTA: Cuando vuelva a ensamblarlo controle que no queden atrapados los conductores.



Cambio del controlador electrónico

Desconecte el conductor del motor. Levante el controlador (34) del motor. Levante el controlador del cuello giratorio.

Reemplazo del pedal de pie



Retire el cabezal de potencia del alojamiento superior. Retire la cubierta del cabezal de potencia y el tornillo de retención. Coloque el destornillador en la muesca sobre el eje y deslice el eje hacia afuera. Retire y sustituya el pedal de pie. Vuelva a ensamblarlo.

NOTA: Asegúrese de que cuando lo vuelve a ensamblar, la ranura de eje (0) queda visible como se muestra.

Mantenimiento

Resolución de problemas

PROBLEMA	CAUSA	SOLUCION
El cepillo no gira	La boquilla de la manguera no entra suficientemente dentro del cuello.	Vuelva a colocar la boquilla de la manguera en el cuello.
	El cepillo está atascado	Apague la máquina, limpie el cepillo y vuelva a encenderla.
	La banda del cepillo no está insertada completamente.	Empuje la banda del cepillo bien adentro.
	Correa rota	Sustituya la correa
La luz roja permanece encendida (on) en la configuración más baja de cepillado (#1)	El cepillo está desgastado	Sustituya la banda de cepillo
La luz indicadora de bolsa llena está encendida o la succión es pobre	Bolsa de polvo llena	Reemplace la bolsa
	Manguera obstruida	Retire la manguera y límpiela
	Cuello obstruido	Desconecte el cabezal del piso del depósito de aspiración y limpie el cuello
	La bolsa no está instalada adecuadamente	Vuelva a colocar la bolsa correctamente
	El filtro de escape o del motor está tapado	Limpie o sustituya el filtro.
	Se filtra aire por la cubierta posterior	Vuelva a colocar la bolsa de polvo, el filtro del motor y la cubierta posterior para asegurar un buen ajuste.
La luz de bolsa llena está apagada (off) cuando la manguera de aspiración está bloqueada o la bolsa llena.	El sensor está desajustado	Retire la puerta posterior y use un pequeño destornillador para girar y aflojar el tornillo posterior de derecha a izquierda.
La puerta posterior no cierra	La bolsa no está instalada adecuadamente	Vuelva a colocar la bolsa correctamente
	El filtro del motor no está en su lugar	Vuelva a colocar el filtro correctamente
La máquina no arranca	Falla en el circuito eléctrico	Haga revisar la máquina por un técnico calificado

Datos Técnicos V14D (V18D)

ELEMENTO	DIMENSIÓN/CAPACIDAD
Voltaje	120V, 60 hz
Aspiración de pisos	8,6 amp
Caudal de aire	117 cfm
Bolsa de polvo	1,3 gal, 3 capas
Motor de cepillo	1,4 (1,8) amp
Ancho del cepillo	12 3/4 (16/3/4) pulgadas
Accionamiento del cepillo	Correa de accionamiento antideslizante con protección de sobrecarga electrónica
Banda del cepillo	Reemplazable
Altura	48 pulgadas
Anchura	14 (18) in
Peso	16 (18) lbs



by HILLYARD

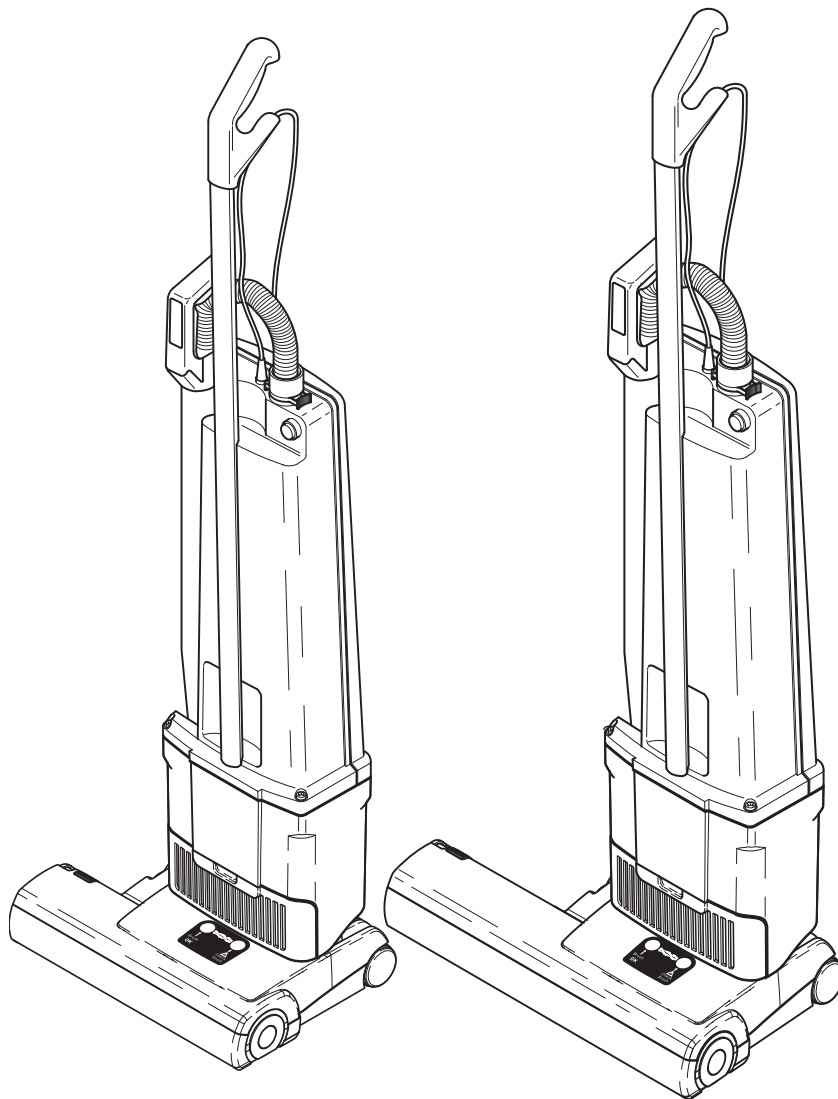
Vacuum

HIL 56082 / HIL 56083

Mode d'emploi (FRA)

**MODEL: 1.012-604.0
V14D**

**1.012-605.0
V18D**



8.643-087.0-A 11/1/18

Étiquette de données de la machine

Modèle :	_____
Date d'achat :	_____
Numéro de série :	_____
Détaillant :	_____
Adresse :	_____
Numéro de téléphone :	_____
Représentant commercial :	_____

Enregistrement de la garantie

Merci d'avoir acheté un produit HILLYARD.

S'il vous plaît enregistrez votre machine pour la garantie par l'intermédiaire de votre concessionnaire Trident autorisé

Étiquette de données de la machine	2
Table des matières	3
Comment utiliser ce manuel.	4

Sécurité

CONSIGNES DE SÉCURITÉ IMPORTANTES	5
INSTRUCTIONS DE MISE À LA TERRE	6
MESURES DE SÉCURITÉ IMPORTANTES	7

Opérations

Composantes	8
Montage de l'aspirateur	8
Fixation du tuyau d'aspiration	8
Loquet du collet pivotant	9
Allumer la tête motorisée électrique	9
Contrôleur de la brosse	9
Indicateur de niveau du filtre	9

Entretien

Remplacement du sac en papier	10
Changement des filtres	10
Atténuateur acoustique	10
Élimination des blocages	11
Remplacement de la bande de la brosse	11
Retrait du couvercle du boîtier du commutateur	12
Retrait du boîtier du sac à poussière	12
Remplacement du moteur d'aspiration	13
Remplacement du rouleau de la brosse	13
Retrait de la poulie du rouleau de la brosse	13
Retrait du collet pivotant	14
Retrait du couvercle du collet pivotant	14
Remplacement du contrôleur électronique	14
Remplacement de la pédale	15
Dépannage	16
Données techniques V14D (V18D)	16

Pièces

Tools, Bags & Filters	18
Upper Housing	20
Power Head-V14D	22
Power Head-V18D	24
Wiring Diagram	26

Comment utiliser ce manuel

Ce manuel contient les sections suivantes:

- Comment utiliser ce manuel
- Sécurité
- Opérations
- Entretien
- Liste des pièces

La section COMMENT UTILISER CE MANUEL vous dira comment trouver des informations importantes pour commander les pièces de rechange correctes.

Les pièces peuvent être commandées auprès des revendeurs agréés. Lorsque vous passez une commande de pièces, le modèle de la machine et le numéro de série de la machine sont importants. Consultez la case DONNÉES DE LA MACHINE qui est remplie lors de l'installation de votre machine. La case DONNÉES DE LA MACHINE se trouve sur la deuxième de couverture de ce manuel.

Modèle :	_____
Date d'achat :	_____
Numéro de série :	_____
Détaillant :	_____
Adresse :	_____
Numéro de téléphone :	_____
Représentant commercial :	_____

Le modèle et le numéro de série de votre machine se trouvent sur l'arrière-inférieur de la machine.

La section SÉCURITÉ contient des informations importantes concernant les utilisations dangereuses ou risquées de la machine. Les catégories de risques identifiés comprennent des risques qui pourraient endommager le produit, provoquer des blessures corporelles ou des blessures graves entraînant la mort.

La section OPÉRATIONS familiarise l'opérateur avec le fonctionnement et les fonctions de la machine.

La section ENTRETIEN contient les mesures d'entretien préventif pour maintenir la machine et ses composants en bon état. Elles sont énumérées dans cet ordre général:

- Sac à poussière
- Filtres
- Obstruction
- Bandes de la brosse
- Dépannage

La section LISTE DES PIÈCES contient des illustrations des pièces assemblées et la liste des pièces correspondantes. Les listes de pièces comprennent un certain nombre de colonnes informatives :

- **ITEM** - la colonne se réfère au numéro de référence sur l'illustration des pièces.
- **PART NO.** - cette colonne indique le numéro de pièce de la pièce.
- **REF NO.** - cette colonne indique la quantité de la pièce utilisée dans cette section de la machine.
- **DESCRIPTION** – la colonne contient une brève description de la pièce.
- **NOTES**– colonne pour les informations non traitées par les autres colonnes.

REMARQUE : Si un kit d'entretien ou kit optionnel est installé sur votre machine, conservez soigneusement les INSTRUCTIONS DU KIT accompagnant le kit. Il contient les numéros des pièces de rechange nécessaires pour commander de nouvelles pièces.

REMARQUE : La référence du manuel se trouve dans le coin inférieur droit de la couverture.

CONSIGNES DE SÉCURITÉ IMPORTANTES

Lorsque vous utilisez cette machine, les précautions de base doivent toujours être suivies, notamment :

LIRE TOUTES LES INSTRUCTIONS AVANT D'UTILISER CETTE MACHINE.

⚠ AVERTISSEMENT: Pour réduire les risques d'incendie, de choc électrique ou de blessure:

1. Ne pas laisser l'appareil sans surveillance lorsqu'il est branché. Débrancher l'appareil lorsqu'il n'est pas utilisé et avant toute opération d'entretien.
 2. Brancher seulement à une prise correctement mise à la terre. Voir les instructions de mise à la terre.
 3. Ne pas utiliser à l'extérieur ou sur des surfaces humides.
 4. Ne pas utiliser à proximité de jeunes enfants. Cet appareil n'est pas un jouet. Une surveillance étroite est impérative lorsqu'il est utilisé par des enfants ou à proximité.
 5. N'utiliser que conformément aux instructions de ce manuel. N'utiliser que les accessoires recommandés par le fabricant.
 6. Ne pas utiliser un cordon ou une fiche endommagé(e). Si l'appareil ne fonctionne pas correctement, s'il a chuté, a été endommagé, laissé à l'extérieur ou s'il est tombé dans l'eau, le renvoyer à un centre de service.
 7. Ne pas tirer sur ou transporter par le cordon, utiliser le cordon comme une poignée, fermer une porte sur le cordon ou tirer le cordon autour de bords ou d'angles pointus. Ne pas faire rouler l'appareil sur le cordon. Tenir le cordon éloigné des surfaces chaudes.
 8. Ne pas débrancher l'appareil en tirant sur le cordon. Pour débrancher, saisir la fiche et non le cordon.
 9. Ne pas manipuler la fiche ou l'appareil avec les mains mouillées.
 10. Ne pas insérer d'objets dans les ouvertures. Ne pas utiliser le produit si l'une des ouvertures est obstruée. Retirer la poussière, les peluches et les cheveux, ou tout autre élément pouvant réduire la circulation de l'air.
 11. Tenir les cheveux, les vêtements amples, les doigts ou toute autre partie du corps éloignés des ouvertures et des pièces en mouvement. Ne pas placer les doigts ou autres parties du corps sous l'aspirateur, à moins que l'appareil ne soit débranché.
 12. Ne pas aspirer des choses qui brûlent ou fument, comme des cigarettes, des allumettes ou des cendres chaudes.
 13. Ne pas utiliser sans le sac à poussière et/ou les filtres en place. Ne pas laver les filtres.
 14. Placer toutes les commandes sur la position d'arrêt avant de débrancher l'appareil.
 15. Faire particulièrement attention lors du nettoyage des escaliers.
 16. Ne pas utiliser pour ramasser des liquides inflammables ou combustibles tels que l'essence ou dans les zones où ils peuvent avoir été présents.
 17. Ne pas utiliser cette machine en présence de fluides, de poussière ou de vapeurs inflammables.
 18. L'entretien et les réparations doivent être effectués par du personnel qualifié.
 19. N'utiliser que des pièces de rechange identiques. Consulter les instructions d'entretien des appareils.
 20. Ne pas utiliser la machine comme escabeau.
 21. Si elle est utilisée sur une moquette ou un tapis à poils longs avec un rembourrage épais, ne pas laisser la machine au même endroit lorsqu'elle est en fonctionnement.
 22. Ne pas utiliser la poignée du boîtier du sac à poussière pour transporter la machine.
 23. Toujours mettre l'interrupteur de l'appareil à la position ARRÊT avant de brancher ou de débrancher la brosse à moteur.
 24. La brosse peut se remettre en marche subitement. Pour éviter les risques d'accidents causés par des pièces en mouvement, débrancher l'appareil avant de l'entretenir.
 25. Votre aspirateur est équipé d'un dispositif manuel de protection thermique qui est remis à zéro en éteignant l'aspirateur. Ce dispositif de protection a besoin de temps pour refroidir une fois l'aspirateur éteint. S'assurer qu'il n'y a aucun blocage ou autre problème mécanique avant de redémarrer l'aspirateur.
 26. Entreposer l'aspirateur dans un endroit sec à température ambiante. Enrouler le cordon sur ses crochets lorsque l'aspirateur n'est pas utilisé.
 27. Toute autre réparation doit être effectuée par un réparateur autorisé.
 28. Assurez-vous que la rallonge électrique est en bonne condition et d'une taille qui convient à votre appareil. Le tableau de la page des instructions de mise à la terre présente les tailles à utiliser, selon la longueur du cordon et l'intensité nominale de la plaque signalétique. En cas de doute, utiliser un cordon d'alimentation d'une grosseur supérieure. Plus le numéro de jauge est petit, plus le cordon d'alimentation est gros. Une rallonge électrique d'une taille insuffisante mènera à une baisse de tension de ligne, à une perte de puissance et à une surchauffe.
 29. N'utiliser que des rallonges électriques extérieures à trois fils dotées d'une prise avec mise à la terre pouvant accepter la fiche de l'appareil.
- ⚠ AVERTISSEMENT:** Afin de réduire les risques de blessure personnelle en raison d'une mauvaise connexion électrique, brancher fermement la prise de l'appareil à la rallonge électrique extérieure. Vérifier périodiquement le branchement lors de l'utilisation afin de vous assurer d'une connexion ferme. N'utiliser pas de rallonge dont le branchement est lâche. Une connexion lâche peut mener à une surchauffe, à des étincelles et à un risque accru de combustion.
31. Afin de réduire le risque de déconnexion du cordon de l'appareil à la rallonge lors de l'opération, faire un nœud comme présenté dans les instructions de mise à la terre.
 32. Entretien de l'appareil avec soin ? Inspecter les rallonges électriques périodiquement et remplacer-les si elles sont endommagées.

LIRE ET CONSERVER CES INSTRUCTIONS

INSTRUCTIONS DE MISE À LA TERRE

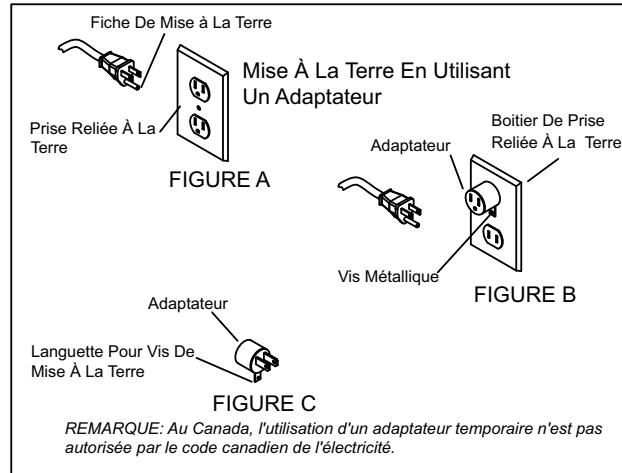
Cet appareil doit être mis à la terre. En cas de dysfonctionnement ou de panne, la mise à la terre fournit un chemin de moindre résistance au courant électrique pour réduire le risque de choc électrique. Cet appareil est équipé d'un cordon comportant un conducteur de mise à la terre de la terre de l'équipement et une fiche de mise à la terre. La fiche doit être branchée dans une prise adéquate qui soit correctement installée et mise à la terre en conformité avec tous les codes et les réglementations locaux.

⚠ AVERTISSEMENT:

Un branchement inadéquat du conducteur de mise à la terre de l'équipement peut entraîner un risque d'électrocution. Vérifier avec un électricien ou un membre qualifié du personnel d'entretien si vous doutez de la bonne mise à la terre de la prise. Ne pas modifier la fiche fournie avec l'appareil - si elle n'entre pas dans la prise, faites installer une prise adéquate par un électricien qualifié.

Cet appareil doit être utilisé sur un circuit nominal de 120 volts, et dispose d'une fiche mise à la terre qui ressemble à la fiche illustrée dans le croquis A. Un adaptateur temporaire ressemble à l'adaptateur illustré dans les croquis B et C, et peut être utilisé, il relie cette fiche à une prise électrique à 2 bornes comme indiqué dans le croquis B si une prise correctement mise à la terre n'est pas disponible. L'adaptateur temporaire ne doit être utilisé que jusqu'à ce qu'une prise correctement mise à la terre (croquis A) puisse être installée par un électricien qualifié. La languette, patte ou autre pièce rigide verte s'étendant de l'adaptateur doit être connectée à un dispositif permanent mis à terre, comme le couvercle d'une boîte de sortie correctement mise à la terre. Si un adaptateur est utilisé, il doit être maintenu en place par une vis métallique.

Remarque : Au Canada, l'utilisation d'un adaptateur temporaire n'est pas autorisée par le Code canadien de l'électricité. .



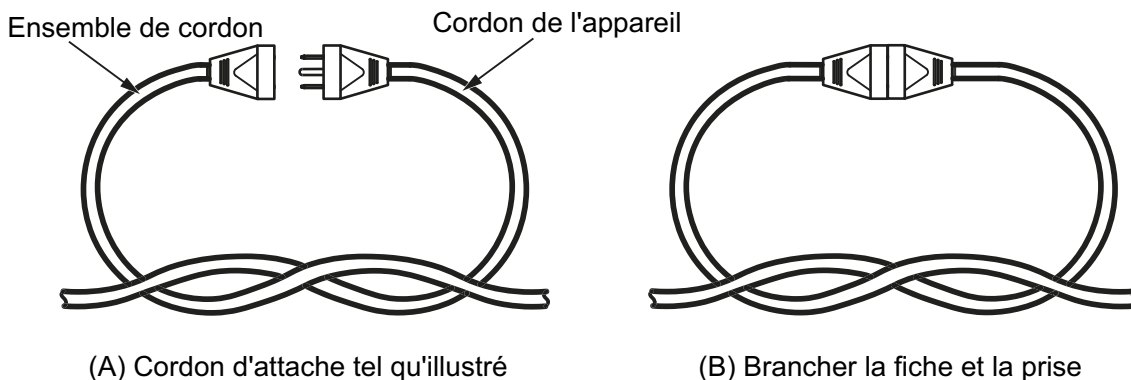
Caractéristiques électriques

Aux États-Unis et au Canada, la machine fonctionne sur un circuit électrique c.a. standard de 15 A et 115 V. Les caractéristiques d'intensité, de fréquence et de tension se trouvent sur la plaque signalétique de chaque appareil. L'utilisation d'une tension supérieure ou inférieure à celle indiquée sur la plaque signalétique peut mener à des dommages importants aux moteurs.

Rallonges électriques

Si vous utilisez une rallonge électrique, sa taille doit correspondre à ce qui est présenté dans le tableau et ne doit pas dépasser 15,5 m (50 pi).

Figure 1: méthode pour fixer le cordon de l'appareil à la rallonge



Extension cords ratings and measures					
Ampere rating		Volts	Total length of cord		
			7.62m (25ft)	15,24m (60ft)	30,48m (100ft)
More than A	Not More than A		mm ² (AWG)		
10	12	120 V	0.83 (18)	1.3 (16)	2.1 (14)

MESURES DE SÉCURITÉ IMPORTANTES

Les accidents dus à une mauvaise utilisation peuvent uniquement être évités par ceux qui utilisent la machine. Pour se prémunir contre les blessures, les précautions de sécurité de base doivent être observées, notamment:

Lisez et suivez toutes les consignes de sécurité.

⚠ AVERTISSEMENT: Un choc électrique peut se produire si vous utilisez la machine à l'extérieur ou sur des surfaces humides.

L'aspirateur est conçu pour être sûr lorsqu'il est utilisé pour exécuter des fonctions de nettoyage. En cas d'endommagement de pièces électriques ou mécaniques, l'aspirateur doit être réparé par un centre de service compétent avant d'être utilisé afin d'éviter de causer des dommages supplémentaires à la machine ou des blessures corporelles à l'utilisateur.

Un cordon d'alimentation endommagé peut causer un choc électrique et/ou un incendie. Afin de minimiser cette possibilité, observez les précautions suivantes:

- ♦ Ne pas faire fonctionner l'aspirateur sur un cordon électrique.
- ♦ Éviter de fermer les portes sur le cordon d'alimentation, de le tirer le long de bords tranchants ou de placer des objets coupants sur le cordon.
- ♦ Ne pas serrer le cordon plus que nécessaire afin de le maintenir sur les crochets.
- ♦ Lorsque vous débranchez le cordon d'alimentation de la prise électrique, saisissez la fiche. Le tirer par le cordon peut endommager l'isolation du cordon et les connexions internes à la fiche.

Votre aspirateur produit une aspiration et contient une brosse rotative. Pour éviter des blessures corporelles résultant de l'aspiration ou des pièces mobiles, la brosse de l'aspirateur ne doit pas être placée contre ou à proximité des vêtements amples, des bijoux, des cheveux ou des surfaces du corps pendant que l'aspirateur est branché à une prise électrique. L'aspirateur ne doit pas être utilisé pour nettoyer des vêtements pendant qu'ils sont portés. Tenir les enfants éloignés lorsque la machine est en fonctionnement ou branchée.

Si elle est utilisée sur un tapis à poils longs ou un tapis avec un rembourrage épais, éteignez l'appareil lorsque la poignée est en position verticale. Lors de l'utilisation des accessoires, maintenez la brosse de sol surélevée par rapport au tapis en maintenant la poignée en position verrouillée et en abaissant la poignée avec la main pour soulever la brosse du tapis. Utilisez les accessoires avec l'autre main.

Toujours brancher votre aspirateur sur une prise murale standard. L'utilisation d'une rallonge ou d'une douille avec une capacité insuffisante de transmission de l'électricité peut entraîner un choc électrique ou un incendie.

Débranchez l'aspirateur de la prise électrique avant l'entretien, comme le remplacement des sacs ou des courroies. Vous pourriez vous blesser à cause des pièces mobiles de la machine, si celle-ci s'est accidentellement allumée. Débranchez l'aspirateur de la prise électrique avant de détacher l'électrobrosse.

N'utilisez pas votre aspirateur dans les endroits où des vapeurs ou de la poussière inflammable(s) et/ou explosive(s) sont présentes, afin d'éviter les risques d'incendie ou d'explosion. Certains liquides de nettoyage peuvent produire de telles vapeurs. Les superficies sur lesquelles des liquides de nettoyage ont été utilisés doivent être complètement séchées et bien aérées avant d'être aspirées.

Pour éviter tout risque d'incendie, n'aspirez pas des allumettes, des cendres de cheminée ou des éléments qui fument.

Gardez votre zone de travail bien éclairée pour éviter de ramasser des matériaux nocifs (tels que les liquides, des objets tranchants ou des substances incandescentes) et pour éviter de trébucher.

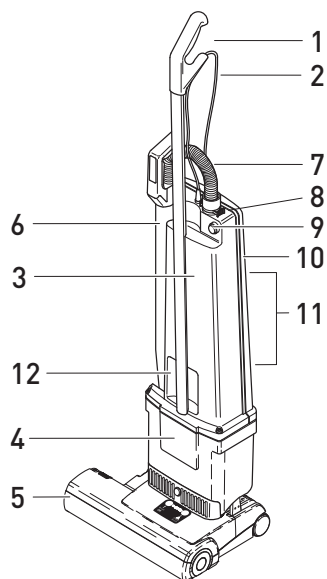
Soyez prudent lorsque vous utilisez l'aspirateur sur des surfaces irrégulières telles que les escaliers, car la chute de l'aspirateur peut causer des blessures corporelles et/ou des dommages mécaniques. Un rangement adéquat de la machine dans un endroit à l'écart immédiatement après usage permettra également d'éviter les accidents causés par le trébuchement sur l'aspirateur.

Rangez votre aspirateur à l'intérieur, dans un endroit frais et sec, pas exposé aux intempéries afin d'éviter un choc électrique et/ou d'endommager l'aspirateur.

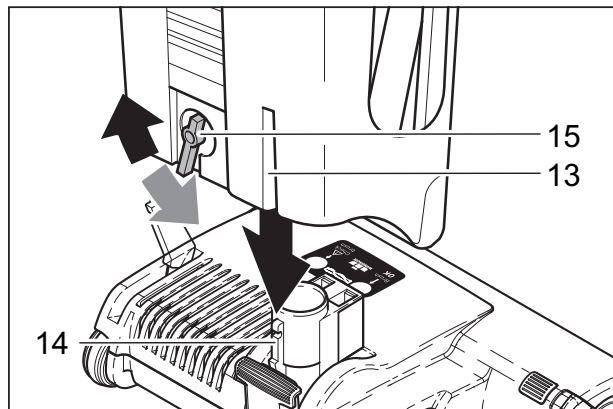
Exercez un contrôle rigoureux pour éviter les blessures lors de l'utilisation de l'aspirateur à proximité des enfants ou lorsqu'un enfant est autorisé à utiliser l'aspirateur. Ne laissez pas les enfants jouer avec l'aspirateur et ne laissez jamais l'aspirateur branché et sans surveillance.

CONSERVEZ CES INSTRUCTIONS

Composantes

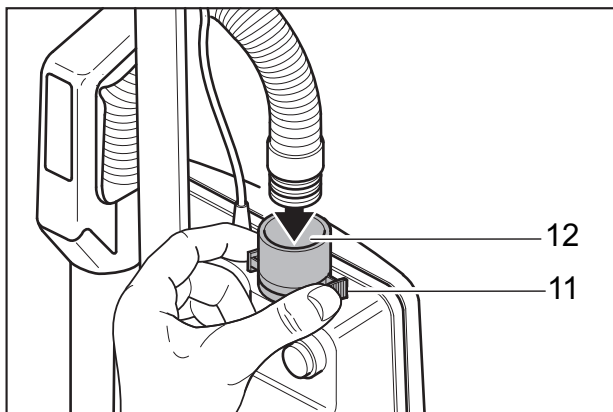


1. Poignée
2. Câble
3. Logement de sac à poussière
4. Boîtier de moteur à vide
5. Tête électrique
6. Tube télescopique
7. Tuyau
8. Anneau de retenue
9. Interrupteur marche / arrêt
10. Quatrième de couverture
11. Crochet de câble
12. Portant la récréation



Montage de l'aspirateur

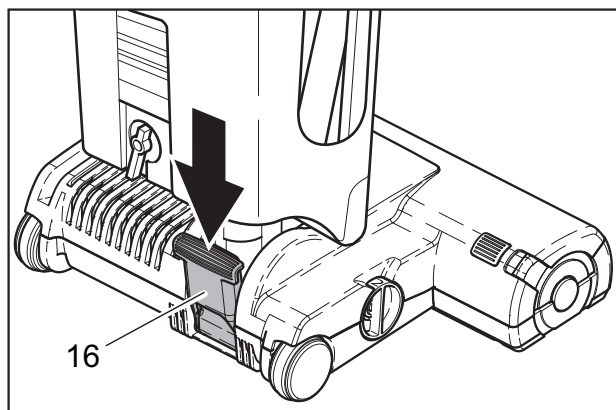
Tenez le carter du moteur d'aspiration en position verticale et insérez-le dans l'électrobrosse. Localisez la ligne (13) sur le carter du moteur précisément opposée à la nervure sur le collet pivotant (14). Le cliquet de blocage (15) doit être tourné vers la gauche lors de la localisation. Fixez la section d'aspiration en place en faisant tourner le cliquet de blocage en position verticale.



Fixation du tuyau d'aspiration

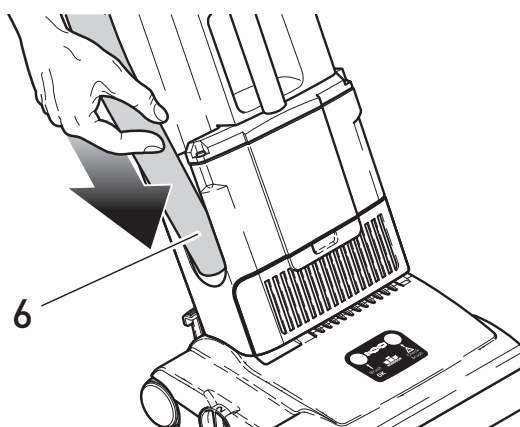
Enfoncez l'extrémité noire du tuyau dans le tube connecteur (12) de sorte qu'il s'enclenche.

Pour débrancher le tuyau, appuyez sur les côtés de la bague de retenue (11) et retirez le tuyau du tube.



Loquet du collet pivotant

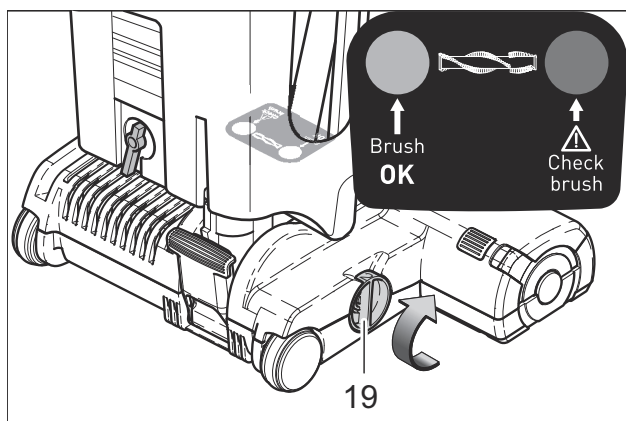
Pour libérer la machine de la position verticale appuyez sur la pédale (16).



Allumer la tête motorisée électrique

La tête motorisée électrique se met en marche automatiquement lorsque l'interrupteur principal (9) est activé et la machine est basculée vers l'arrière après le relâchement du verrou à pivot (16). À des fins de sécurité, régler toujours la machine à la position verticale et activer le verrou à pivot lorsque vous utilisez le tube télescopique.

Certaines versions d'aspirateur arrêtent automatiquement la tête motorisée lorsque le tube télescopique (6) est retiré et redémarrent celui-ci lorsque le tube est réinséré correctement. Si la tête motorisée ne démarre pas, assurez-vous que le tube télescopique est complètement inséré.



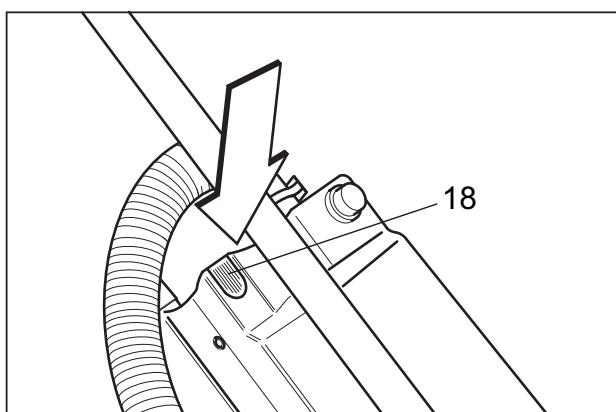
Contrôleur de la brosse

Le contrôleur électronique de la brosse surveille le fonctionnement de la brosse.

DEL verte : Brosse correctement réglée et fonctionnelle.

DEL verte et rouge : Ajustez le réglage de la brosse en tournant le bouton de réglage de la hauteur (19) sur un chiffre inférieur.

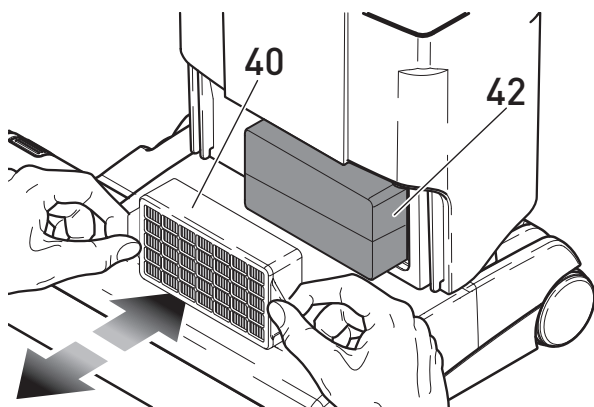
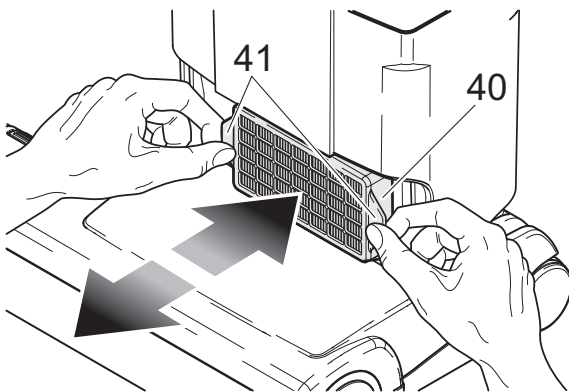
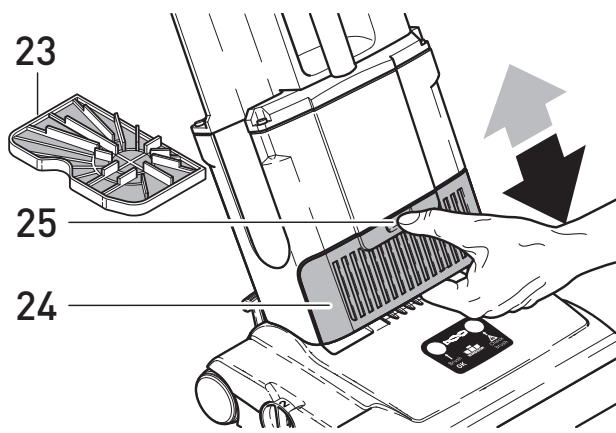
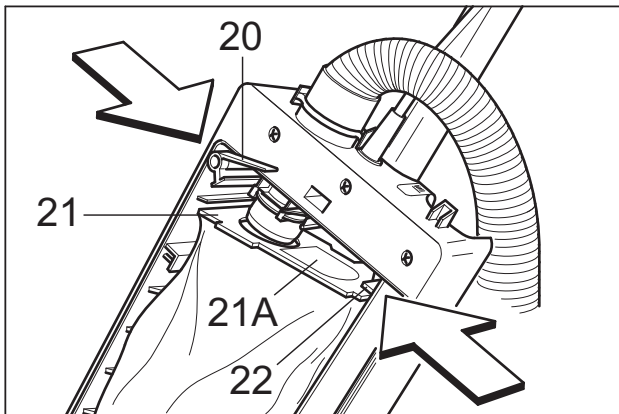
DEL rouge clignotante : La brosse est bloquée et ne tourne pas. Coupez le contact. Débranchez de la prise et dégagez l'obstruction.



Indicateur de niveau du filtre

Si l'indicateur (18) s'allume, vérifiez :

- Est-ce que le sac à poussière est plein ?
- Y a-t-il une obstruction dans le tuyau ou l'électrobrosse ?



⚠ AVERTISSEMENT:

Débrancher la machine de la prise électrique avant d'exécuter tout entretien.

Remplacement du sac en papier

Pour remplacer le sac à poussière : Retirez le couvercle arrière. Appuyez sur le levier (20). Séparez le sac à poussière du tube connecteur. Fermez l'orifice situé sur la partie supérieure du sac à poussière avec un couvercle en carton (21 A). Pour installer un nouveau sac à poussière : Introduisez la partie supérieure du sac à poussière (21) dans la fente (22). Appuyez sur le levier (20) et insérez l'orifice de la partie supérieure du sac à poussière sur le tube connecteur. Remettez le levier sur la position horizontale.

Changement des filtres

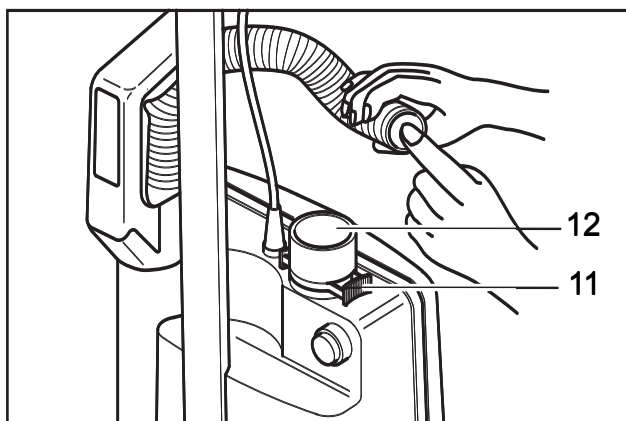
Filter du moteur de l'aspirateur (23) ? Nettoyer la poussière de surface en retirant le filtre de l'appareil et en le secouant, puis réinstaller le filtre après avoir utilisé 20 sacs en papier. Filtre d'évacuation (24) ? Changer le filtre lorsque celui-ci devient sale. Retirer le couvercle du filtre d'évacuation en appuyant sur le couvercle et en le déplaçant vers le bas. Retirer le filtre d'évacuation (40) en utilisant les deux poignées (41) et installer la pièce de rechange. Replacer le couvercle du filtre et déplacer-le vers le haut jusqu'à son enclenchement. Ne pas laver les filtres.

REMARQUE : Des filtres de qualité hospitalière sont disponibles.

Atténuateur acoustique

L'atténuateur acoustique (42) se trouve derrière le filtre d'évacuation (40), et il n'est pas nécessaire de le nettoyer ni de le remplacer dans le cas d'une utilisation normale. Si en raison de conditions spéciales il semble approprié de nettoyer l'atténuateur acoustique, veuillez procéder comme suit : Retirer le filtre d'évacuation (40) et tirer sur l'atténuateur acoustique (42). Secouer l'atténuateur devrait être suffisant pour son nettoyage.

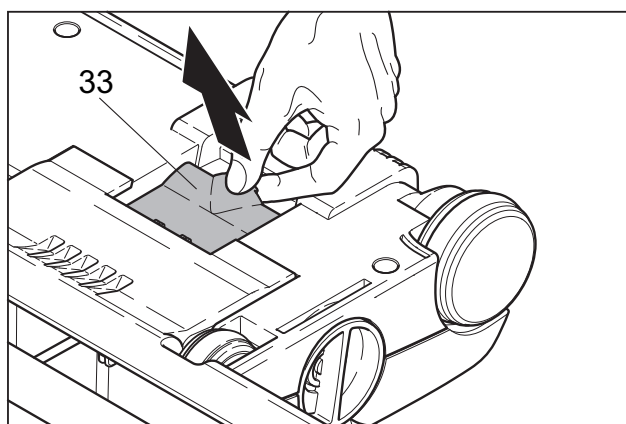
Par la suite, insérer l'atténuateur acoustique (côté biseauté orienté vers la gauche) dans l'appareil et réinstaller le filtre d'évacuation.



Élimination des blocages

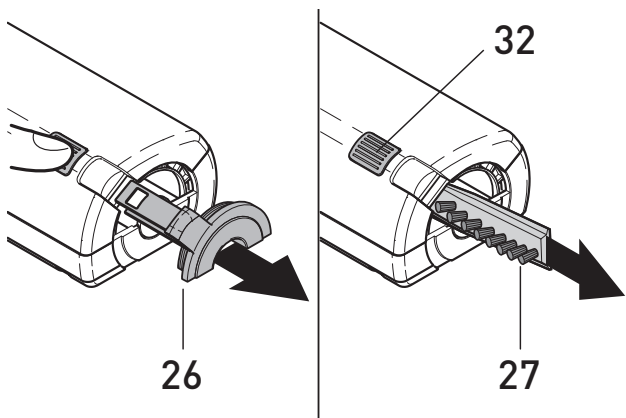
Si l'indicateur de sac plein s'allume avant que le sac à poussière ne soit effectivement plein, vérifiez qu'il n'y a pas d'obstructions. Séparez le tuyau en appuyant sur les languettes de la bague de retenue (11). Inversez le tuyau et insérez l'extrémité de la baguette dans le tube connecteur (12). Éliminez l'obstruction en mettant la machine en marche et en tenant le tuyau en position verticale. Si nécessaire, apposez et retirez rapidement votre main de l'extrémité du tuyau.

REMARQUE : Ne jamais utiliser un bâton ou un objet pointu pour dégager le tuyau.



Vérifiez l'absence d'obstructions dans le collet pivotant de l'électrobrosse et sous la trappe orange (33) située sur la partie inférieure de l'électrobrosse.

Vérifiez l'absence d'obstructions dans le passage entre les deux ouvertures de l'électrobrosse.



Remplacement de la bande de la brosse

Pour remplacer la bande de la brosse, appuyez sur le bouton (32), retirez la plaque latérale (26) et tournez la brosse de sorte que la bande de la brosse (27) puisse être retirée de l'ouverture. Assurez-vous que la nouvelle bande de la brosse soit complètement insérée, puis appuyez sur la plaque latérale pour la remettre en place.

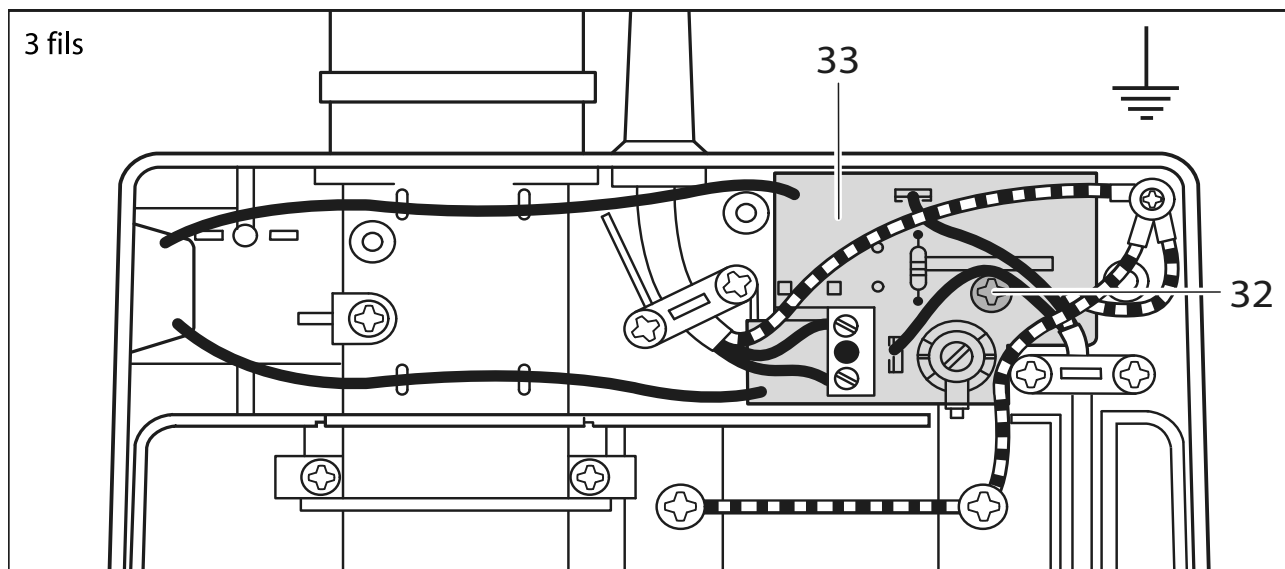
REMARQUE : Assurez-vous que la plaque soit bien en place.

⚠ ATTENTION:

L'entretien et les réparations doivent être effectués par du personnel qualifié.

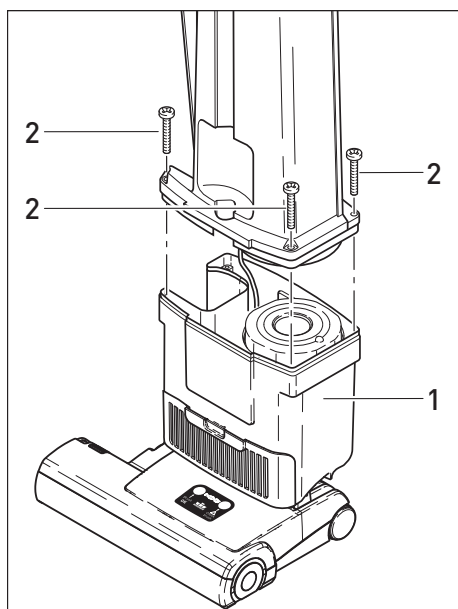
⚠ AVERTISSEMENT:

Pour réduire le risque de choc électrique, débranchez la machine avant de la nettoyer ou de la réparer.



Retrait du couvercle du boîtier du commutateur

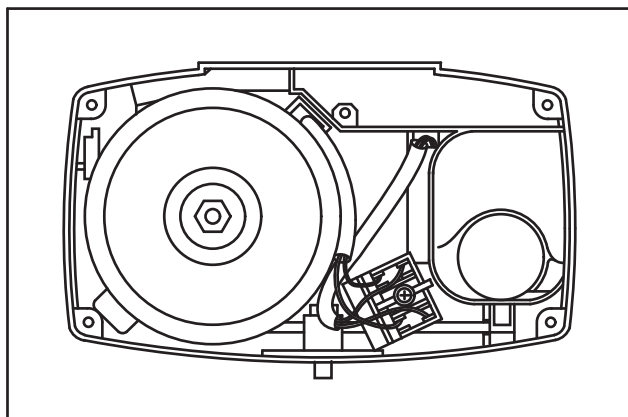
Retirez les trois vis, puis soulevez le couvercle. La plaque des circuits imprimés (33) peut être enlevée en desserrant la vis (32).



Retrait du boîtier du sac à poussière

Retirez le couvercle arrière, puis retirez les 4 vis (2). Soulevez délicatement le boîtier du sac à poussière de l'électrobrosse.

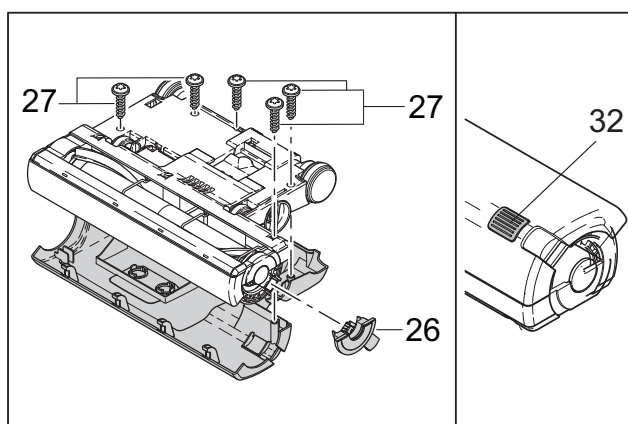
REMARQUE : Le cordon d'alimentation reste fixé entre le boîtier du sac à poussière et l'électrobrosse.



Remplacement du moteur d'aspiration

Détachez d'abord les deux fils noirs de la plaque à bornes. Lors du remplacement, assurez-vous que le support du moteur se situe entièrement sur le capot du moteur. Le capot du moteur doit alors être fermement situé sur le moteur d'aspiration, et le moteur, avec son capot et son support, doit être fermement en position comme indiqué dans le carter du moteur d'aspiration.

S'il est correctement installé, le moteur ne peut pas être tourné. Remplacez le joint du moteur.

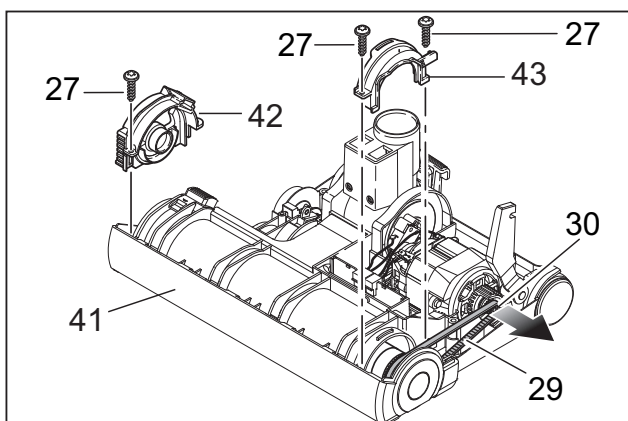


Remplacement du rouleau de la brosse

Appuyez sur le bouton (32), retirez la plaque latérale (26) et retirez les quatre (VS14) ou cinq (VS18) vis (27) situées sous le châssis. Le couvercle et le bouton (32) peuvent ensuite être enlevés.

Poussez pour détacher la courroie (29) de la poulie du moteur (30), retirez le pare-chocs (41).

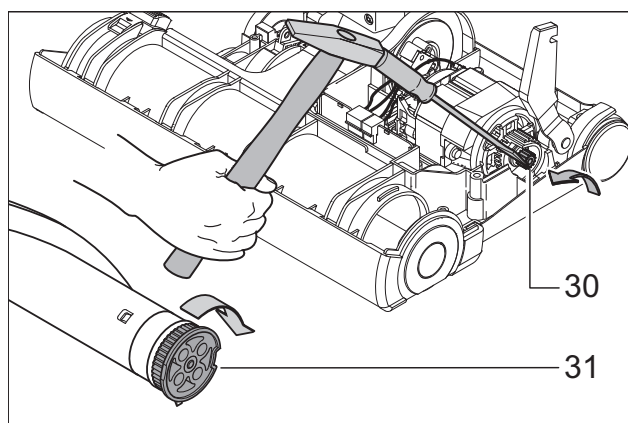
Retirez les trois vis (27) des corps de palier de la brosse (42 et 43). Soulevez les corps de palier et remplacez le rouleau de la brosse.

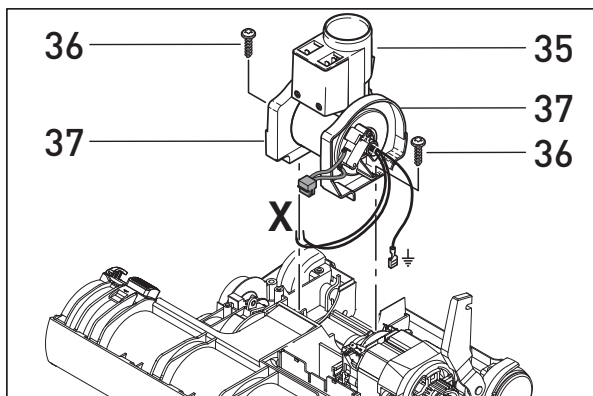


Retrait de la poulie du rouleau de la brosse

Tenez le rouleau d'une main et faites tourner la poulie (31) dans le sens des aiguilles d'une montre.

Pour retirer la poulie du moteur (30), insérez un tournevis dans une rainure et donnez un léger coup dans le sens contraire des aiguilles d'une montre. La poulie desserrée peut alors être enlevée.

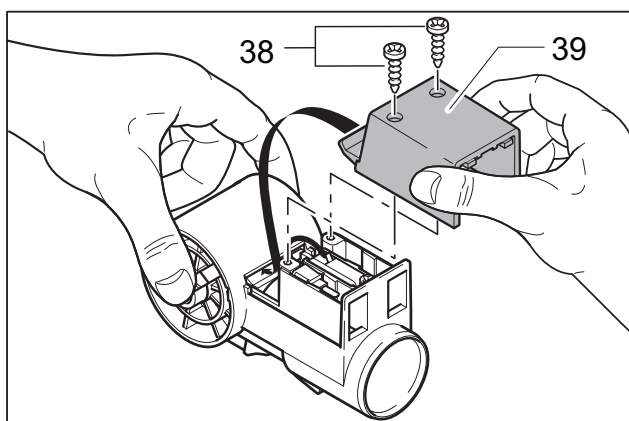




Retrait du collet pivotant

Pour retirer le collet pivotant (35), retirez les deux petites vis (36) des supports du collet pivotant (37), puis soulevez l'assemblage du collet pivotant du châssis.

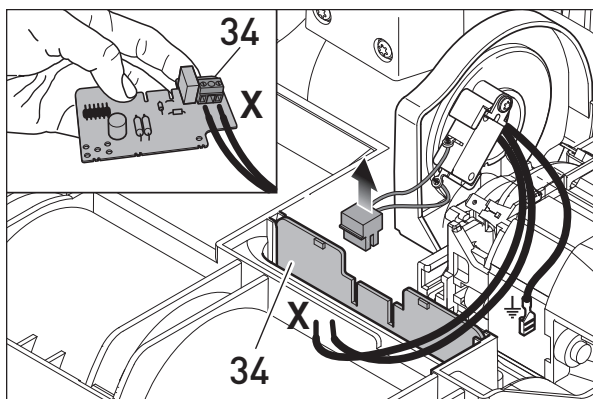
REMARQUE : Lors du remontage, assurez-vous que les fils du collet pivotant ne sont pas piégés lorsque le couvercle de l'électrobrosse est remplacé.



Retrait du couvercle du collet pivotant

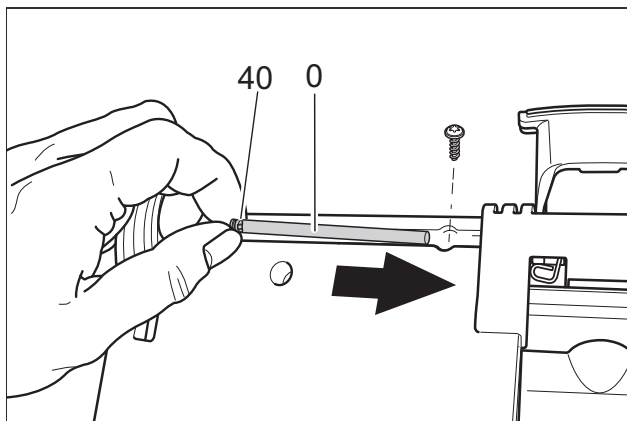
Retirez la vis de fixation (38), faites glisser le couvercle (39) vers le bas, puis soulevez-le.

REMARQUE : Lors du remontage, vérifiez que les fils ne se coincent pas.



Remplacement du contrôleur électronique

Débranchez le câble du moteur. Soulevez le contrôleur (34) vers le haut pour le détacher du moteur. Soulevez le contrôleur vers le haut pour le détacher du collet pivotant.

Remplacement de la pédale

Retirez l'électrobrosse du boîtier supérieur. Retirez le couvercle de l'électrobrosse et la vis de fixation. Insérez un tournevis dans l'encoche sur l'essieu et faites glisser l'essieu pour le retirer. Retirez et remplacez la pédale. Remontez le tout.

REMARQUE : Lors du remontage, l'encoche (40) de l'essieu (0) doit être visible comme indiqué.

Dépannage

PROBLEME	CAUSE	SOLUTION
La brosse ne tourne pas	L'embout du tuyau n'est pas enfoncé assez profondément dans le collet	Repositionnez l'embout du tuyau dans le collet
	Brosse coincée	Arrêtez la machine, débloquez la brosse et redémarrez
	Bande de la brosse pas complètement insérée	Poussez la bande de la brosse pour qu'elle soit complètement insérée
	Courroie cassée	Remplacez la courroie
Le voyant rouge reste allumé sur le réglage le plus bas de la brosse (# 1)	Brosse usée	Remplacez la bande de la brosse
Indicateur de sac plein allumé, ou aspiration faible	Sac à poussière plein	Remplacez le sac
	Tuyau obstrué	Démontez et nettoyez le tuyau
	Collet bouché	Retirez la brosse de sol du réservoir de l'aspirateur et nettoyez le tuyau
	Sac mal installé	Réinstallez le sac correctement
	Filtre d'évacuation ou filtre du moteur bouché	Nettoyez ou remplacez le filtre
	Fuite d'air au niveau du couvercle arrière	Réinsérez le sac à poussière, le filtre du moteur et le couvercle arrière pour que tout s'emboîte bien fermement
Indicateur de sac plein éteint lorsque le tuyau d'aspiration est bouché ou le sac est plein	Capteur mal ajusté	Retirez le capot arrière et utilisez un petit tournevis pour tourner la vis située derrière le voyant dans le sens inverse des aiguilles d'une montre
Capot arrière ne se ferme pas	Sac mal installé	Réinstallez le sac correctement
	Le filtre du moteur n'est pas en position	Réinstallez le filtre correctement
La machine ne démarre pas	Circuit électrique défectueux	Faites vérifier la machine par un réparateur qualifié

Données techniques V14D (V18D)

ÉLÉMENT	DIMENSION/CAPACITÉ
Tension	- 120 V, 60 Hz
Moteur d'aspiration	1000 W
Colonne d'eau	2 040 mm
Débit d'air »	55 l / sec
Moteur de brosse	175 (200) watts
Capacité sac Poussière	5,3 litres
Largeur de Travail	325 mm
Barrette de brosse	Interchangeable
Hauteur	1 225 mm
Largeur	360 (460) mm
Poids	8 (9) kg

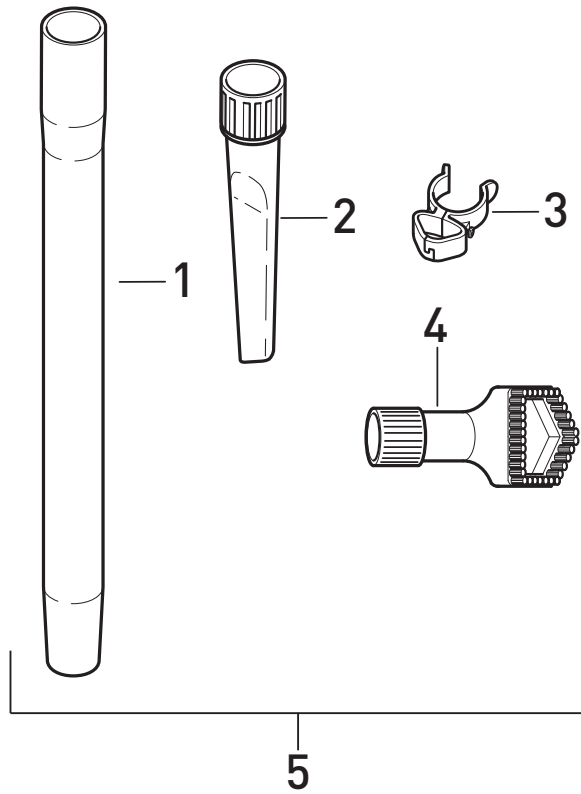


Spare Parts List

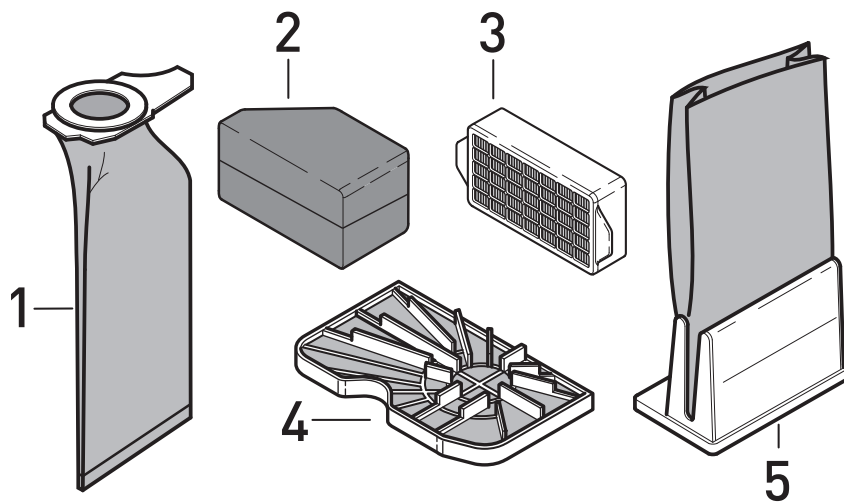
TRIDENT V14D HIL56082 (1.012-604.0)

TRIDENT V18D HIL56083 (1.012-605.0)

OPTIONAL TOOLS



BAG & FILTER



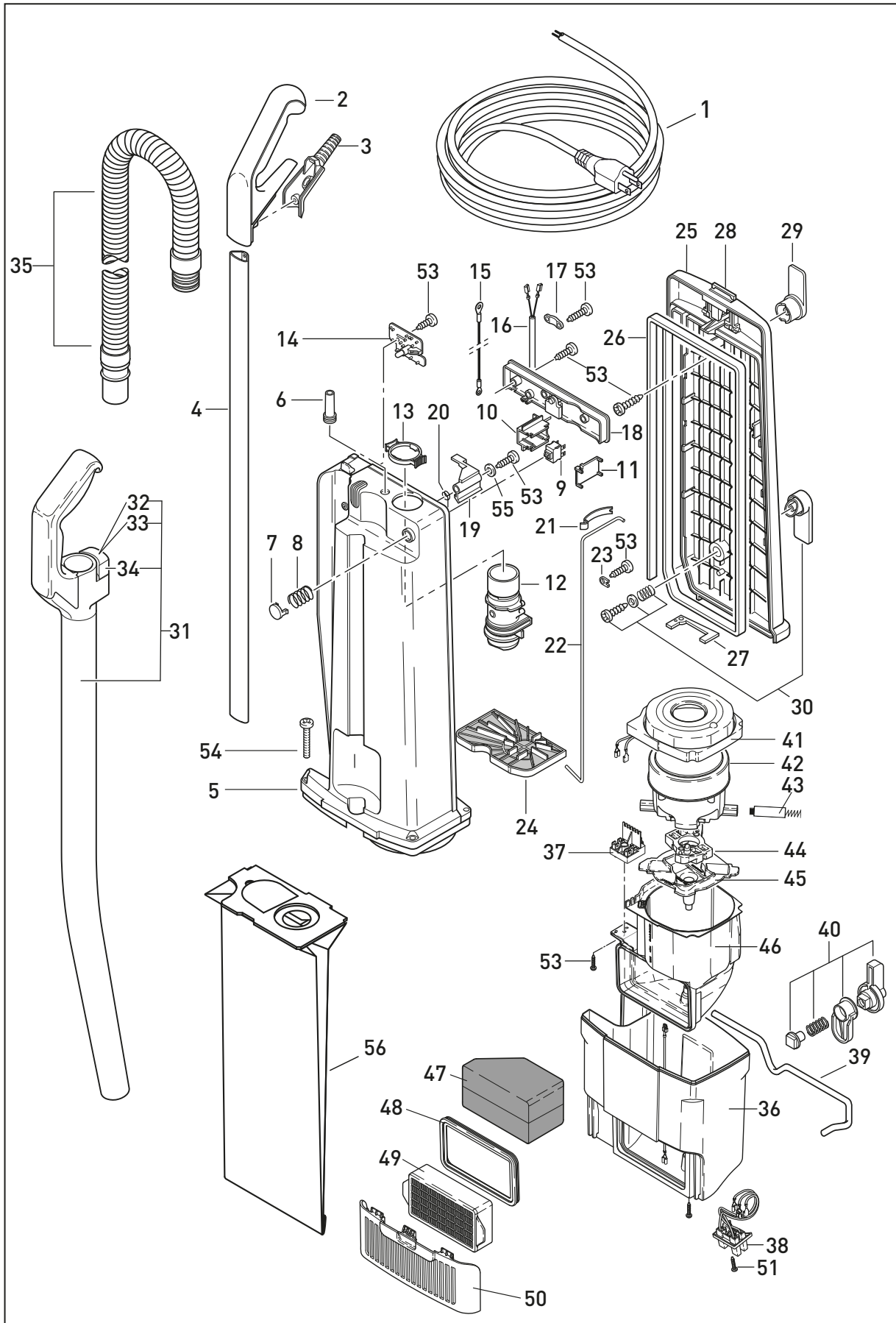
OPTIONAL TOOLS

ITEM	PART NO.	REF NO.	DESCRIPTION	NOTES
1	86409690	1084sw	EXTENSION TUBE, BLACK	
2	86319300	1092sw	CREVICE TOOL, BLACK	
3	86409710	1081SW	CLIPS, ATTACHMENT, BLACK	
4	86409700	1094gs	ROUND BRUSH VSM-TK, GRAY BLACK	
5	86284890	VSMTK	VERSAMATIC TOOL KIT	
-	86000060	VSCLP	VSM DUSTING TOOL W/MTG CLIP	INCLUDES ITEMS 1,3,4

BAG & FILTERS

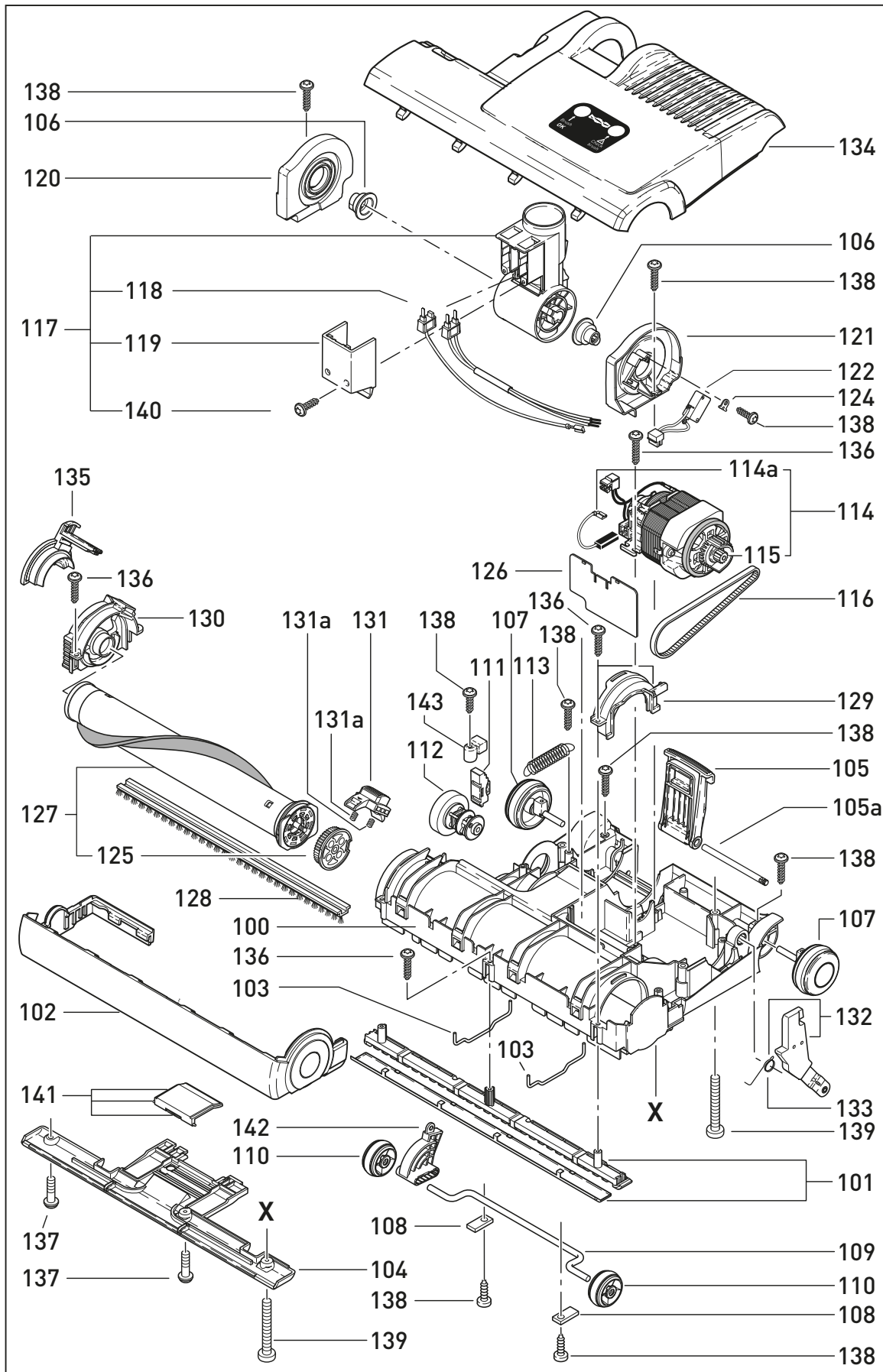
ITEM	PART NO.	REF NO.	DESCRIPTION	NOTES
1	86000460	2003	FILTER BAG PACKS 10/PKG	
2	86431010	10120ER	SILENCER	
3	86431030	10109ER	EXHAUST FILTER	
4	86143330	1044	MOTOR FILTER	
5	86001790	1435	FLR, HOSP GRADE-.3MICR U19835	

Upper Housing



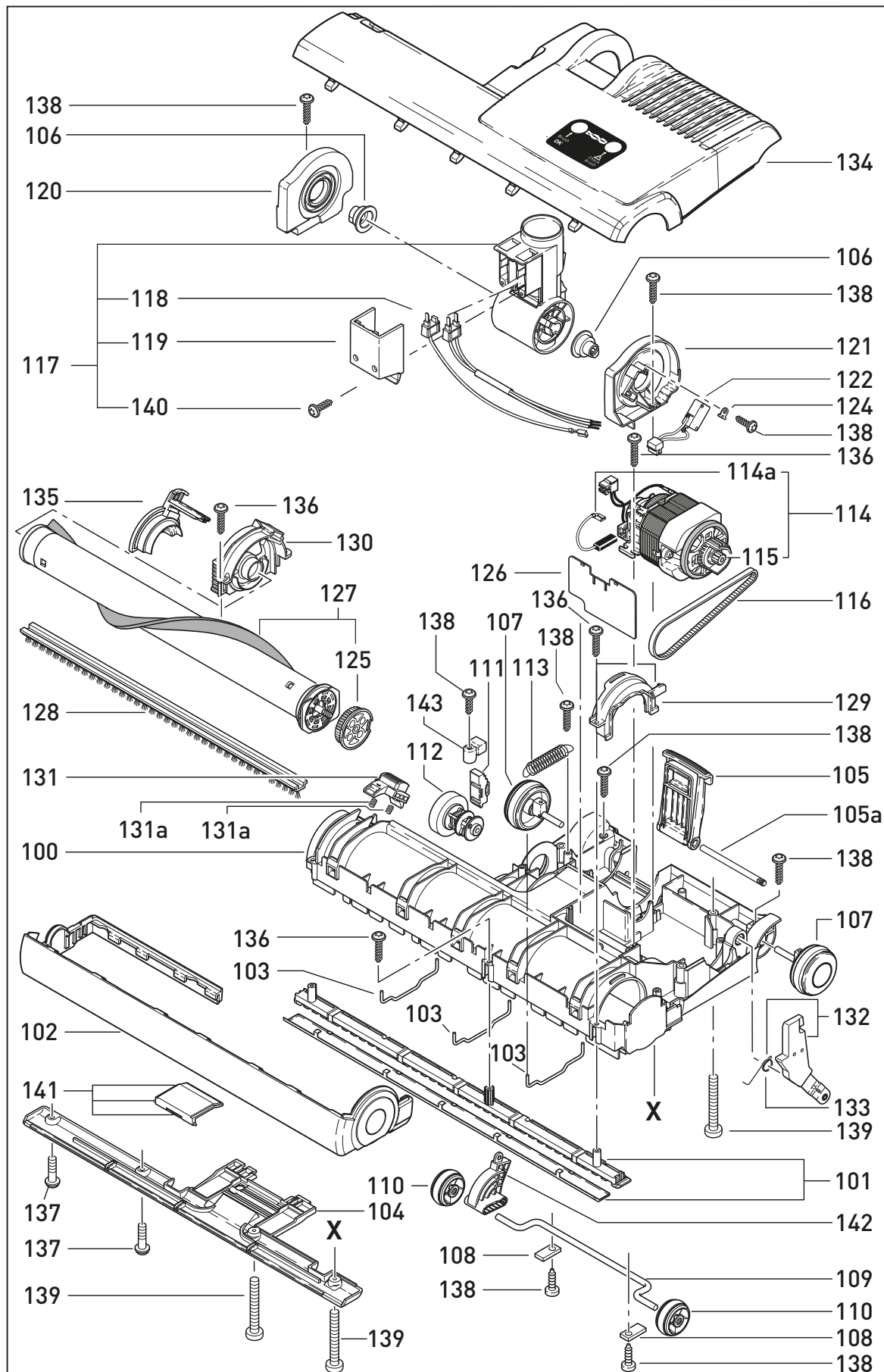
ITEM	PART NO.	REF NO.	DESCRIPTION	NOTES
1	86407650	1910ge	Cable with US-Plug 3-wire, yellow	FOR V14D
-	86407660	1918ge	Cable VS18 - 17/3 AWG	FOR V18D
2	86142050	1037ES	Handle grip cpl., black	
3	86142120	1596SW	Handle cover cpl., black	
4	86430880	10161ER	Handle tube, 830mm	
5	86430890	10152HY	Dust bag housing BS 360/460, basalt gray/ light blue	
6	86407700	1420SW	Grommet, black	
7	86430900	1966lb	Switch button, light blue	
8	86345570	1962	Spring	
9	86430910	05114	Switch	
10	86363610	1955	Switch holder	
11	86349910	1956	Switch cover	
12	86363620	1038bg	Connecting tube, basalt gray	
13	86144600	1792kg	Retaining ring, karcher gray	
14	86372770	1975ER	Printed circuit board	
14	86137760	835UL	Antistatic-wire, blue, 250mm(8")	
15	86137770	836UL	Antistatic-wire, blue, 180mm(7")	
16	86142810	1283UL	Internal cable	
17	86139110	1030UL	Cable clamp	
18	86145530	1026UL	Switch cover cpl., black	
19	86140990	1040	Dust bag lever	
20	86144640	1041	Return spring	
21	86143010	1027	Leaf spring	
22	86140170	1025	Connecting rod	
23	86139970	1073	Clamp	
24	86143330	1044	Motor filter	
25	86430920	1039HY	Back cover cpl., gray black/light blue	
26	86138010	1059	Back cover seal	
27	86141890	1061	Gasket	
28	86430930	1057LB	Latch with spring and pin, light blue	
29	86146340	1461gs	Cable hook, grey black	
30	86143160	1462GS	Cable hook, turnable, grey black	
31	86407790	1783KA	Extension tube without hose cpl.	
32	86430940	1776ER	Catch incl. Leaf spring	
33	86143020	1739ER	Leaf Spring	
34	86139590	1775kg	Catch holder	
35	86142640	1784sb	Hose cpl., silver	
36	86430950	10150HY	Motor Housing, grey black, "TRIDENT"	
37	86146200	1265UL	Terminal Block cpl.	
38	86431360	10117UL	Female contact holder cpl.	
39	86143090	1553	Locking Rod	
40	86430960	0819gs	Locking Catch cpl., dark gray	
41	86430970	10106	Vacuum Motor Seal	
42	86143660	7041ER	Vacuum Motor, 120V, 1000W, cpl.	
43	86138380	05140S	Carbon Brush Set Vacuum Motor	
44	86430980	10118	Motor Support	
45	86430990	10102UL	Motor Locator	
46	86431000	10101UL	Air Duct	
47	86431010	10120ER	Silencer, 2 pcs.	
48	86431020	10104sw	Seal	
49	86431030	10109ER	Exhaust Filter	
50	86431040	10103gs	Exhaust Filter Cover, gray black	
51	86196290	0101ER	Screw C 3,9x9,5 Din 7981	
52	86147030	0102ER	Screw F 3,9x13	
53	86147040	0103ER	Screw C 3,9x16 Din 7981	
54	86147070	0111ER	Screw AM5x30 Din 7985	
55	86146540	0140ER	Washer 4,3	
56	86284750	1055JE	Dust Bag	

Power Head-V14D



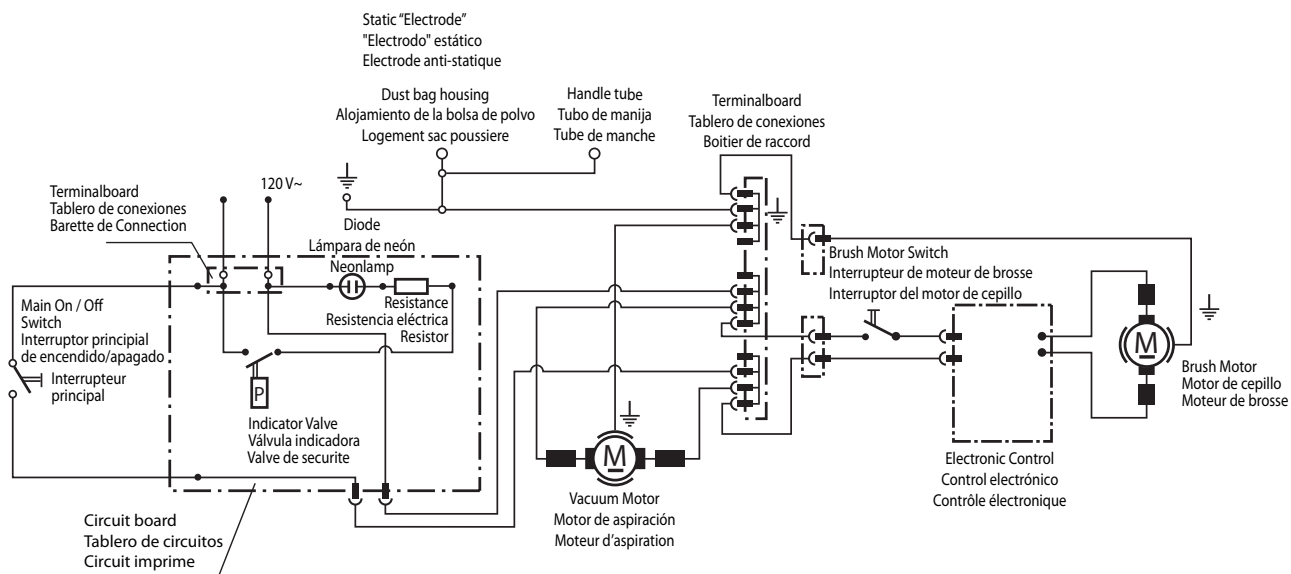
ITEM	PART NO.	REF NO.	DESCRIPTION	NOTES
100	86407840	20200sw	Chassis cpl., black	
101	86363140	20204GS	Front base plate cpl., gray black	
102	86407850	20109SW	Bumper, black	
103	86363160	20115	Retaining bracket	
104	86407860	20107GS	Rear base plate, gray black	
105	86363180	20230ER	Foot pedal cpl., light gray/orange	
105a	86378430	20140ER	Axle	
106	86363190	20136ER	Internal plastic bearing	
107	86406030	2306SW	Wheel, black	
108	86363200	2014ER	Axle clamp	
109	86363210	20126ER	Pile adjustment axle	
110	86407880	2608gs	Wheel, pile adjustment, gray black	
111	86146220	2833	Thrust member cpl.	
112	86363220	20128ER	Adjustment button, light gray	
113	86145270	4019	Spring	
114	86143500	2973ER	Brush motor 120V, 175W	
114a	86138390	05141S	Pair of carbon brushes	
115	86309030	2319	Motor pulley cpl.	
116	86138220	2923	Belt	
117	86431050	20271ER	Swivel neck cpl.	
118	86364770	0899ER	Wire swivel neck, 3-wire	
119	86145820	2530hg	Swivel neck cover	
120	86363260	20217ER	Swivel neck support r.h. cpl.	
121	86363270	20218ER	Swivel neck support l.h. cpl.	
122	86363710	0897ER	Micro switch incl. wire	
123	86145240	2546	Leaf spring	
124	86139970	1073	Clamp	
125	86363280	2919ER	Brush pulley	
126	86363720	20162ER	Printed Circuit Board 120v 175w 14"	
127	86363300	4098ER	Brush assembly	
128	86002440	2046	Brush strip	
129	86363310	20123ER	Bearing block l.h.	
130	86407900	20117ER	Bearing block r.h.	
131	86431060	20120LB	Brush roller release, light blue	
131a	86363340	20121ER	Spring	
132	86431370	2256ER	Support lever with spring	
133	86345580	2651	Return spring	
134	86431070	21220HY	Power head cover V14D, cpl., gray black	
135	86407930	20118EK	Side plate, black	
136	86144790	01017ER	Screw STS 4x20	
137	86144850	0197ER	Screw 4x12	
138	86363370	01036ER	Screw 4 x14	
139	86147170	0176ER	Screw 4 x 30	
140	86147030	0102ER	Screw 3,9x13	
141	86363390	20124ER	Access door, orange	
142	86363400	20127ER	Axle adjustment lever	
143	86363410	20129ER	Mounting cap	

Power Head-V18D



ITEM	PART NO.	REF NO.	DESCRIPTION	NOTES
100	86408130	20202SW	Chassis 18" cpl., black	
101	86408140	20205GS	Front base plate cpl., gray black	
102	86408150	20110SW	Bumper 18", black	
103	86363160	20115	Retaining bracket	
104	86408160	20108GS	Rear base plate, gray black	
105	86363180	20230ER	Foot pedal cpl., light gray/orange	
105a	86378430	20140ER	Axle	
106	86363190	20136ER	Internal plastic bearing	
107	86406030	2306SW	Wheel, black	
108	86363200	2014ER	Axle clamp	
109	86363210	20126ER	Pile adjustment axle	
110	86407880	2608gs	Wheel, pile adjustment, gray black	
111	86146220	2833	Thrust member cpl.	
112	86407890	20128ER	Adjustment button, light gray	
113	86145270	4019	Spring	
114	86143500	3261ER	Brush motor 120V, 200W	
114a	86138390	05141S	Pair of carbon brushes	
115	86309030	2319	Motor pulley cpl.	
116	86138220	2923	Belt	
117	86431050	20271ER	Swivel neck cpl.	
118	86364770	0899ER	Wire swivel neck, 3-wire	
119	86145820	2530hg	Swivel neck cover	
120	86363260	20217ER	Swivel neck support r.h. cpl.	
121	86363270	20218ER	Swivel neck support l.h. cpl.	
122	86363710	0897ER	Micro switch incl. wire	
123	86145240	2546	Leaf spring	
124	86139970	1073	Clamp	
125	86363280	2919ER	Brush pulley	
126	86363740	20166ER	Printed Circuit Board 120v 200w 18"	
127	86372960	4099ER	Brush assembly 18"	
128	86001640	4028	Brush strip 18"	
129	86363310	20123ER	Bearing block l.h.	
130	86407900	20117ER	Bearing block r.h.	
131	86431060	20120LB	Brush roller release, light blue	
131a	86363340	20121ER	Spring	
132	86145440	2256ER	Support lever with spring	
133	86345580	2651	Return spring	
134	86341080	20221HY	Power head cover V18D, cpl., gray black	
135	86407930	20118EK	Side plate, black	
136	86144790	01017ER	Screw STS 4x20	
137	86144850	0197ER	Screw 4x12	
138	86363370	01036ER	Screw 4 x14	
139	86147170	0176ER	Screw 4 x 30	
140	86147030	0102ER	Screw 3,9x13	
141	86363390	20124ER	Access door, orange	
142	86363400	20127ER	Axle adjustment lever	
143	86363410	20129ER	Mounting cap	

Wiring Diagram



Suggested Spare Parts

PART NO.	REF NO.	DESCRIPTION	NOTES
86143330	1044	MOTOR FILTER U19836	
86000460	2003	FILTER BAG PACKS 10/PKG	
86002440	2046	BRUSH STRIP, 14"	V14D
86001640	4028	BRUSH STRIP, 18"	V18D
86431030	10109ER	EXHAUST FILTER	
86138220	2923	BELT, 333 3M HTDII-6	
86407650	1910ge	CABLE VS14	V14D
86407660	1918ge	CABLE VS18 - 17/3 AWG	V18D

